



VersaDrive 96 Aux Out Specification Sheet

Universal Dimming, Auxiliary Output,
96W, 24V Constant Voltage LED Driver

120-277V

24VDC

SELV

CLASS 2

IP65



Key Features

- Lutron Athena AWN sensors factory installed or field installed
- Also compatible with other auxiliary powered wireless nodes and sensors
- 22VDC Aux Output (powers accessories that operate between 12VDC and 24VDC)
- PWM Output for consistent performance with all brands & types of LED tape
- Five .087" knockouts (1/2" trade size)

Specification Overview

- 5-way universal dimming: Forward Phase, Reverse Phase, 0-10V, PWM, and Potentiometer
- Smooth flicker-free dimming down to 1%
- Universal input voltage 120 to 277VAC
- Constant Voltage 24VDC output
- 96W Output Power
- IP65 and NEMA 3R rated for outdoor use
- UL8750, Class 2, CSA C22.2 No. 250.2
- 5-year warranty

ORDERING INFORMATION

Part Number	Description
VAU96L24DC	VersaDrive 96W, 24VDC, 120-277VAC, 5-Way Dimming, 22VDC Aux Out
VAU96L24DC-AWN	VersaDrive 96W, 24VDC, 120-277VAC, 5-Way Dimming, Pre-wired Lutron AWN sensor

STD	HD	COB
✓	✓	✓

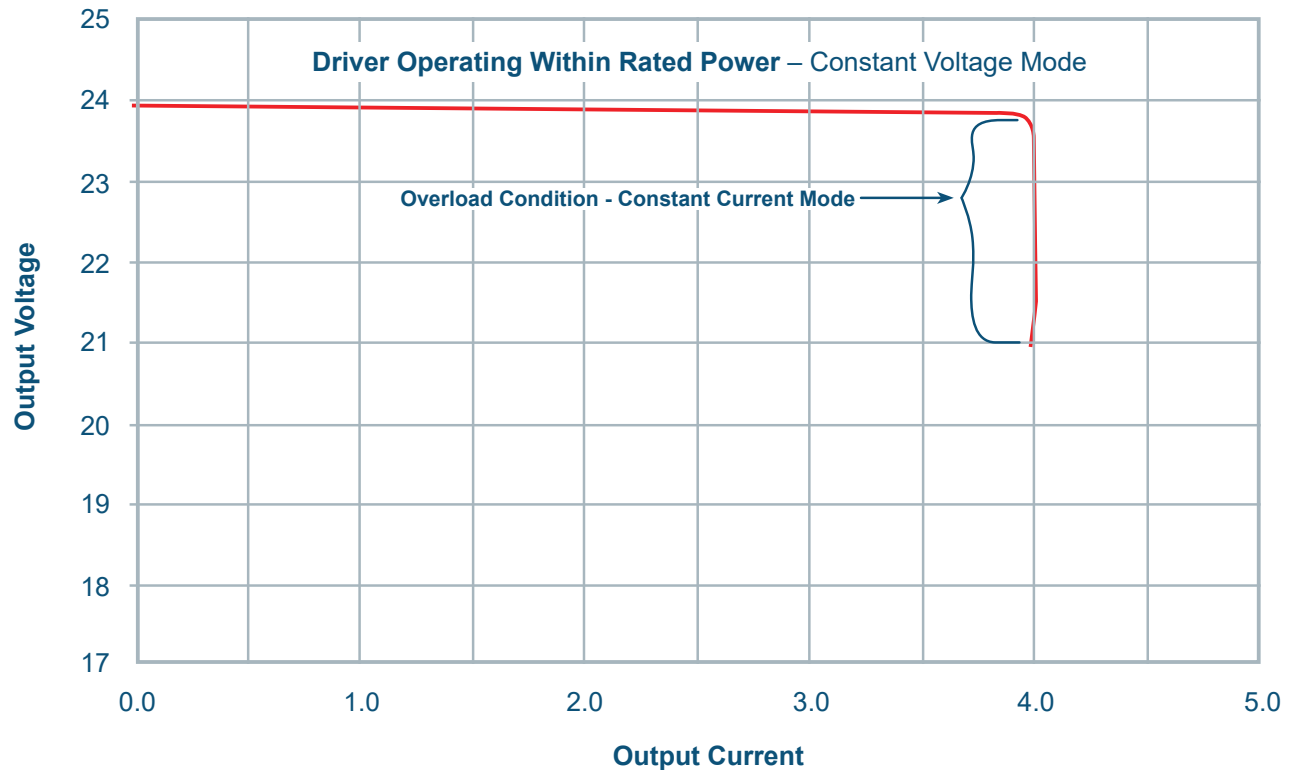
Tape Compatibility Chart

ENCLOSURE DETAILS

Dimensions	Material	Finish	Environmental
8.1" W x 5.6" H x 1.7" D (206mm x 142mm x 43mm)	Stamped Steel	Powder Coat	IP65, NEMA 3R

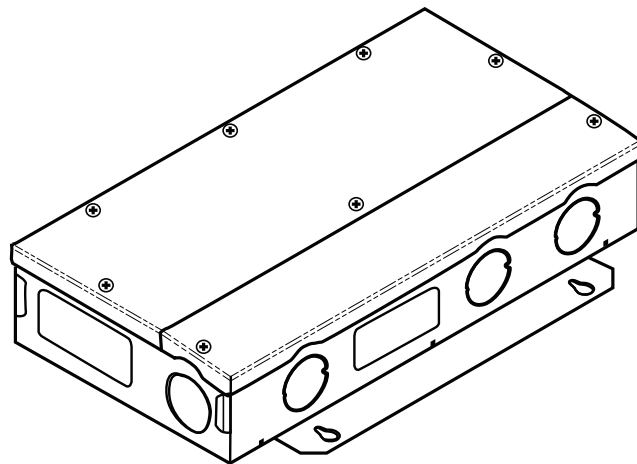
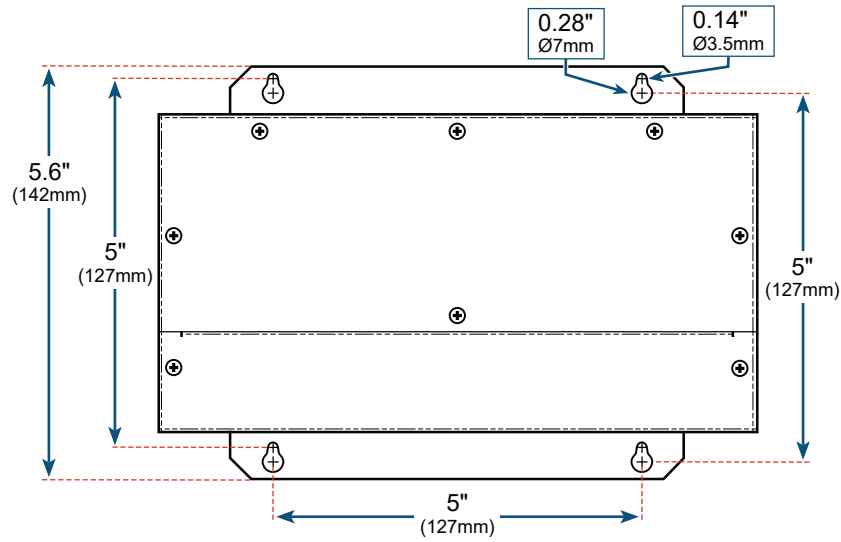
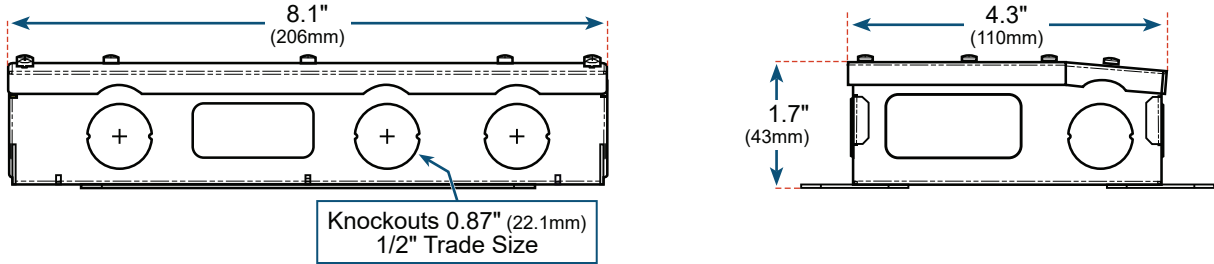
SPECIFICATIONS

Input	
Input Voltage Range	120 to 277VAC \pm 10%
Input Frequency	50 / 60Hz
Input Current	1.05A @ 120V, 0.45A @ 277V
Inrush Current	80A @ 277V
Efficiency	84% @120V, 87% @ 277V
Power Factor	120VAC, > 0.94 / 277VAC, > 0.94
THD	< 20%
Output	
Output Voltage	24VDC
Max Load	96W
Output Current @ Maximum Load	4.1A
Output Dimming Method / Frequency	PWM / 3.9kHz
Flicker	California Title 24 / JA8
Output Ripple (Peak-to-Peak)	\leq 8%
Line Regulation	\pm 5%
Load Regulation	\pm 5%
Turn On Delay Time	< 0.5 sec
Auliliary Output Voltage	22VDC up to 200mA (powers accessories that operate between 12VDC and 24VDC)
Environmental	
Ambient Operating Temperature	-40°C to 50°C / (-40°F to 125°F)
Maximum Case Temp. (Tcase)	90°C (194°F)
Storage Temperature	-40°C to +85°C / (-40°F to 185°F)
Ingress Protection (IP) / Enclosure Rating	IP65 / NEMA 3R Rated
Cover Screws	Stainless Steel
Expected Lifetime	\geq 80,000 hrs @Tc \leq 60°C
Dimming	
Dimming Style	Phase-Cut (120V) or 0-10V (120V to 277V)
Minimum Dimming Level	1%
Minimum Load for Dimming	8W
Dimming Curve	Linear
PWM Dimming Signal @ 10V Frequency Range	500Hz to 2Khz
Protection	
Over Voltage Protection	Yes
Over Temperature Protection	Yes / Auto-Recovery
Overload Protection	Yes / Current Limit
Short Circuit Protection	Yes / Auto-Recovery
Connectors	
Lever Style Connectors	Pre-installed, all wire leads
Connector Listing	UL

CURRENT LIMITING OVERLOAD PROTECTION


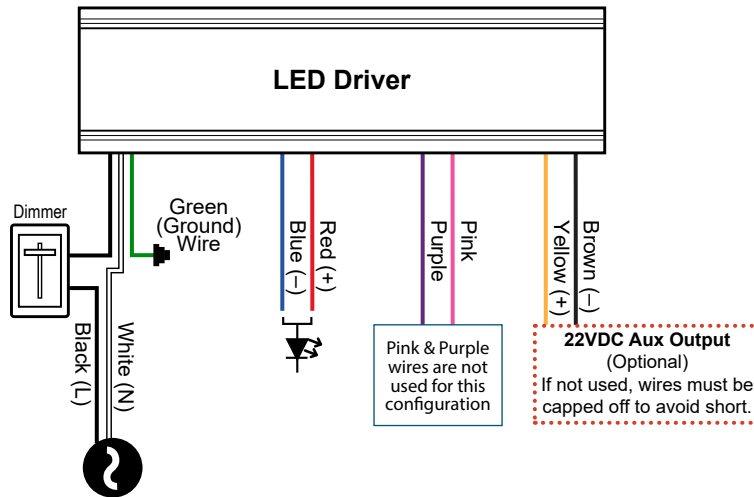
- With VersaDrive, installers and designers can use LED lighting loads that match it's full rated power. No derating is required
- VersaDrive's constant current overload protection avoids the problem of unwanted flashing or shut down due to the LED driver being at or near it's maximum rated output
- This protection feature makes slight reduction to the output voltage, but the current stays constant. It's the same effect as barely dimming the output to stay at the rated power
- The driver will not shut down upon an overload condition; no blinking lights and no driver resets

MECHANICAL DIAGRAMS

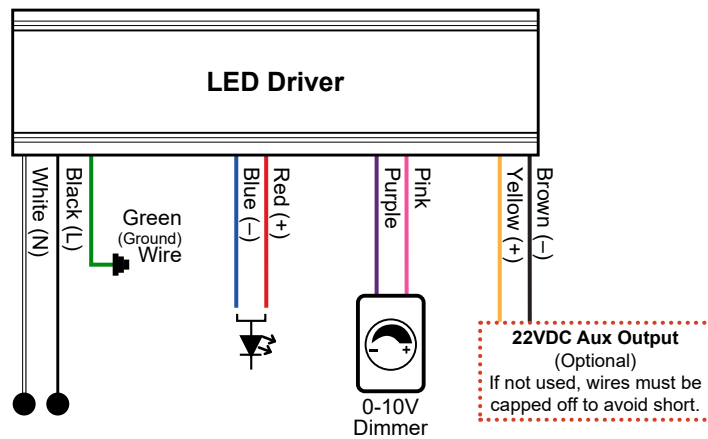


WIRING DIAGRAMS

Phase-Cut Dimmable Configuration



0-10V Dimmable Configuration



0-10V Wireless Node Configuration

