



# High Bay Fixture Mount Specifications

## Latch Hook Kit for TCP High Bay Fixtures

- Use for single point hanging
- TCP Item Number: LHKIT**

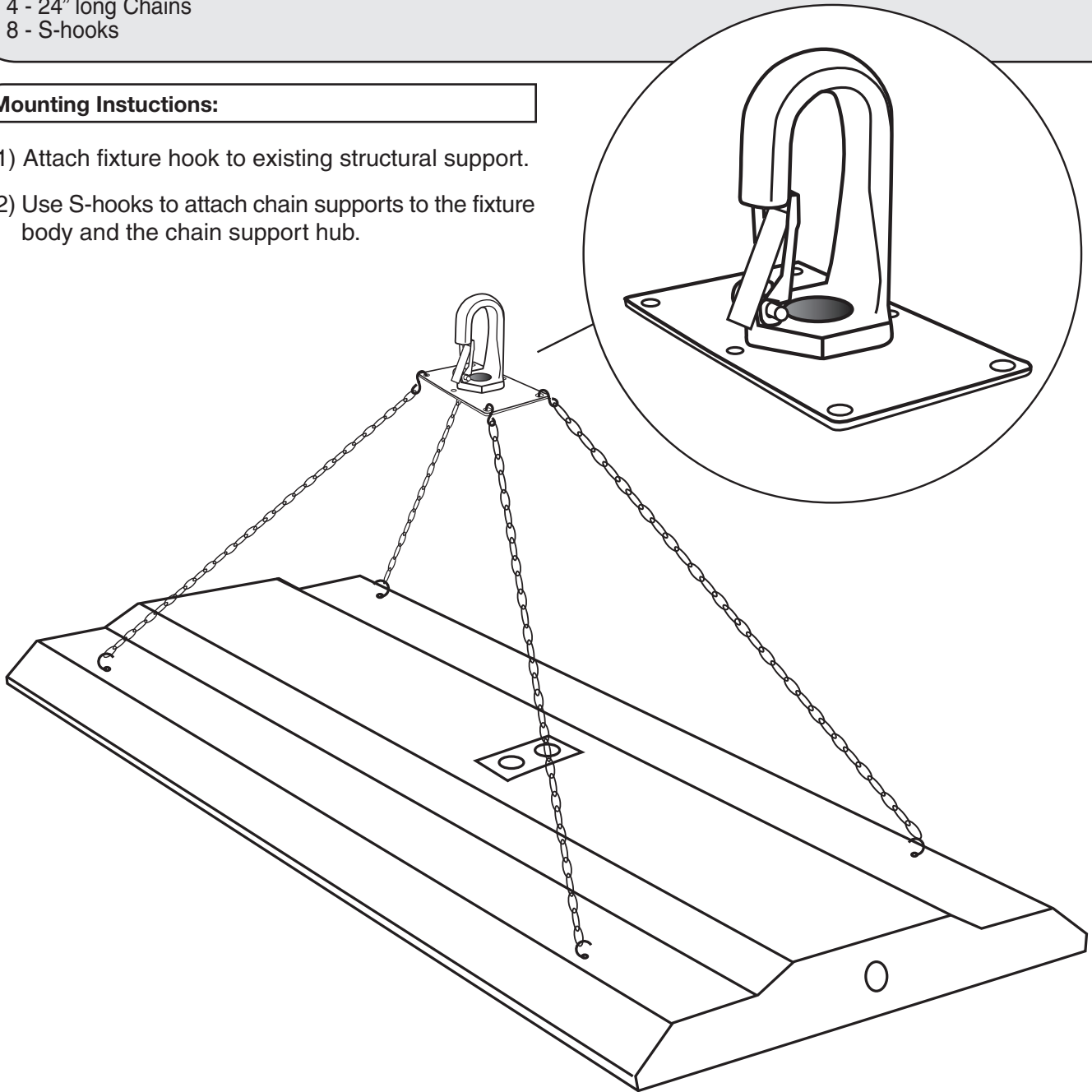
**Latch  
Hook  
Kit**

Components included with each kit:

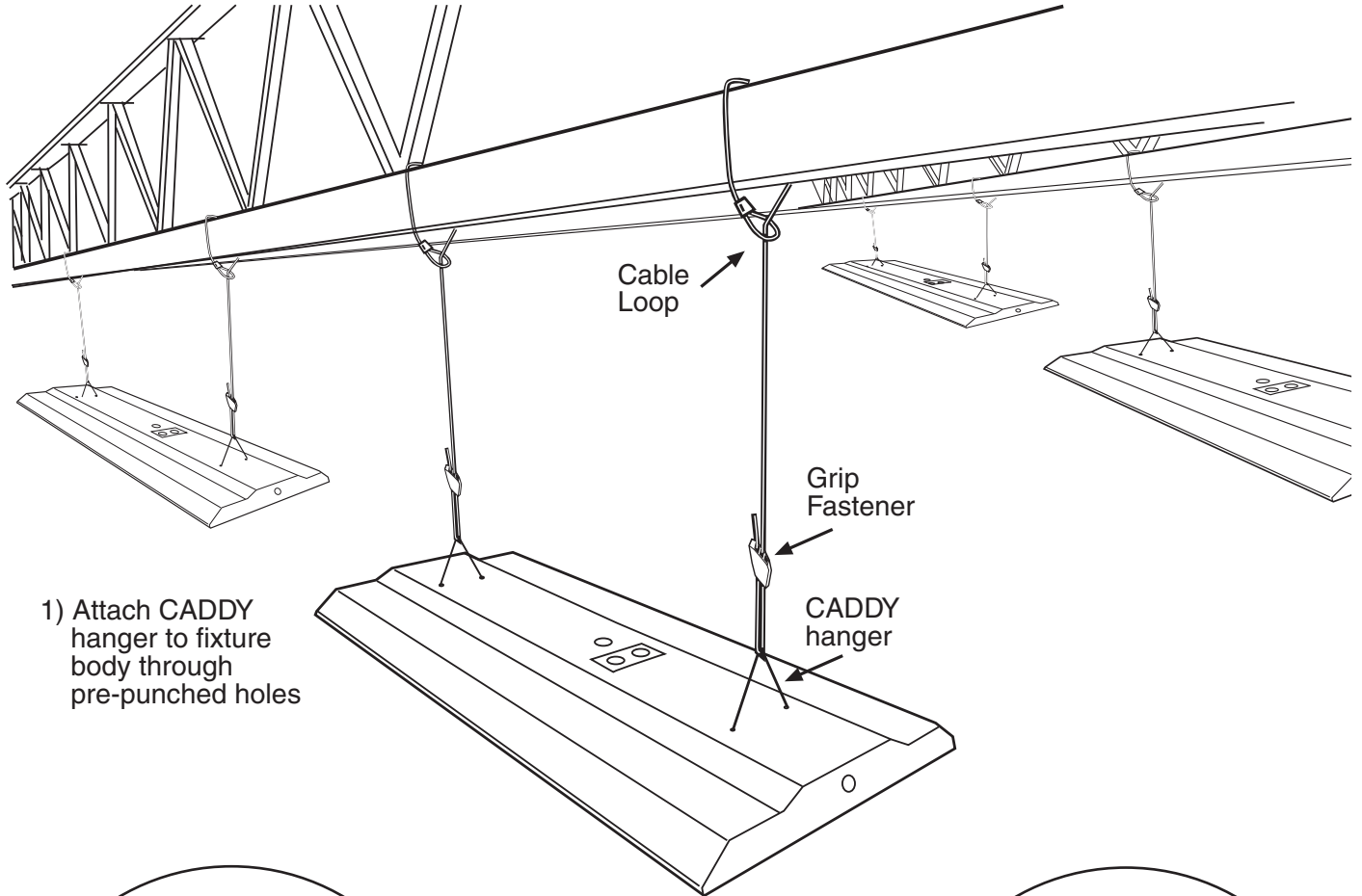
- 1 - Fixture Hook Male
- 1 - Single Mounting Bar
- 4 - 24" long Chains
- 8 - S-hooks

### Mounting Instructions:

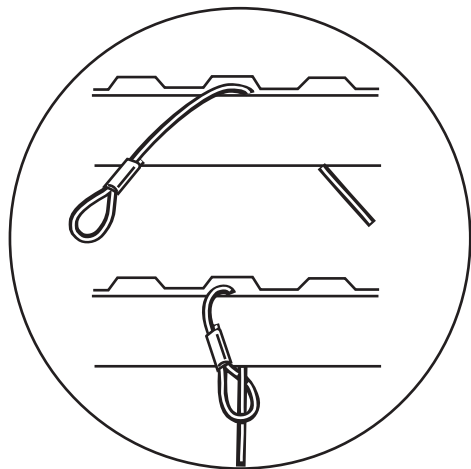
- 1) Attach fixture hook to existing structural support.
- 2) Use S-hooks to attach chain supports to the fixture body and the chain support hub.



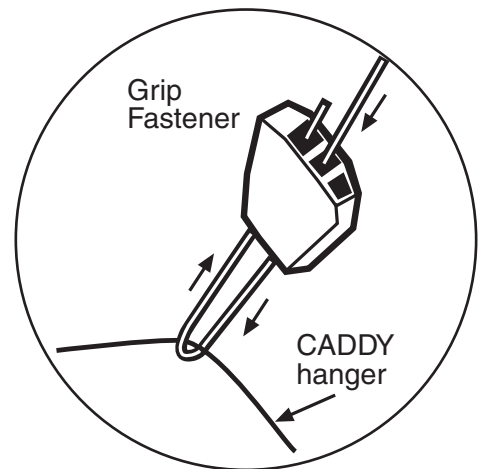
## Recommended Hanging Method



1) Attach CADDY hanger to fixture body through pre-punched holes



2) Loop Cable around strut, joist, eye-bolt or solid ceiling structure



3) Feed cable through grip fastener and adjust to desired mounting height