

Catalog Number	
Notes	Type

Red LED Candelabra Base Retrofit Kit, 2 adaptors



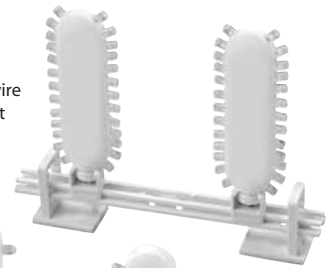
Green LED Candelabra Base Retrofit Kit, 2 adaptors



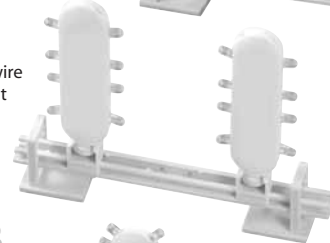
White LED Candelabra Base Retrofit Kit, 2 adaptors



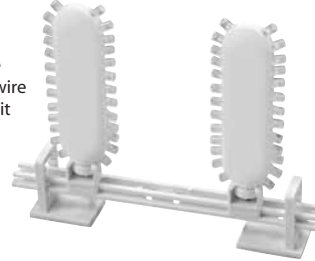
Red Hardwire LED Kit



Green Hardwire LED Kit

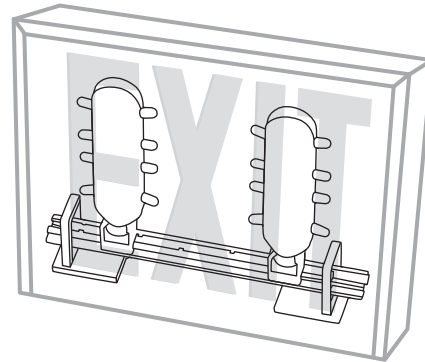


White Hardwire LED Kit



## Features and Benefits

- New, brighter LEDs
- Solid construction, made to retrofit into existing exit signs
- More compact design allows unit to fit into more applications
- Available with white, green or red LEDs
- Zero maintenance & easy installation
- Excellent energy efficiency!
- ETL Listed, conforms to UL924
- 20715, 20716, 20717 & 20718 CUL Listed.
- Innovative concave LED design directs light output where you need it the most in existing exit signs!
- Hardwire version is both 120V and 277V and comes complete with mounting bracket
- LED Lamp Dimensions 4.75" x 1.65" x 0.6"
- Life expectancy 10 years at full lumen output



Warranties and Certifications:	Catalog Model#	Description	M.O.L. (Inches)	Width (Inches)	Depth (Inches)	Input Voltage	Watts per lamp
 	20715	Red LED Candelabra Base Retrofit Kit, 2 Adapt.	4.75"	1.65"	.60"	120V	1.2W
	20716	Red Hardwire LED Kit 120 / 277V	5.63"	6.9"	1.0"	120 / 277V	1.2W
	20717	Green LED Candelabra Base Retrofit Kit, 2 Adapt.	4.75"	1.65"	.60"	120V	0.7W
	20718	Green Hardwire LED Kit 120 / 277V	5.63"	6.9"	1.0"	120 / 277V	0.7W
	20719	White LED Candelabra Base Retrofit Kit, 2 Adapt.	4.70"	1.65"	.60"	120V	1.7W
	20721	White Hardwire LED Kit 120 / 277V	4.75"	6.9"	1.0"	120 / 277V	1.8W