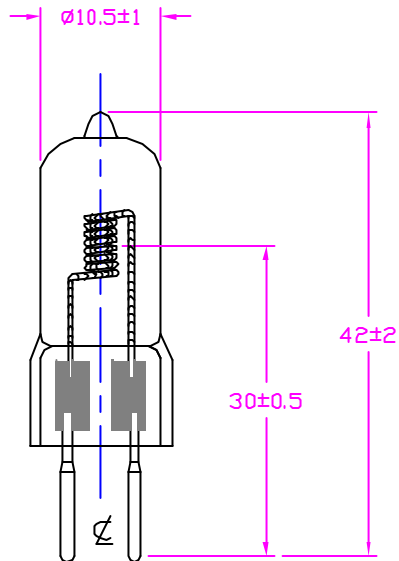


REVISIONS			
REV	DESCRIPTION	DATE	APPROVED



NOTES:

1. ALL DIMENSIONS ARE IN MM UNLESS OTHERWISE SPECIFIED.
2. SEAL TEMP SHOULD BE MAINTAINED BELOW 350°C.
3. THE DIMENSIONS AND SPECIFICATIONS OF PRODUCT LISTED IN THIS SHEET ARE SUBJECT TO CHANGE WITHOUT NOTICE FOR IMPROVEMENT.

CHARACTERISTICS	
VOLTAGE	22.8 V
WATTAGE	50 W
TOTAL LUMEN	1100 Lm
COLOR TEMP.	3000 HRS
AVERAGE LIFE	700 HRS
BULB FINISH	CLEAR
BASE TYPE	G6.35
FILAMENT TYPE	CC-8

ITEM	QTY	DESCRIPTION	CODE IDENT	PART NUMBER	REMARKS
LIST OF MATERIALS					
UNLESS OTHERWISE SPECIFIED DIMENSIONS ARE IN INCHES DECIMALS .X ± - .XX ± .XXX ± ANGLES ± DRILLED HOLES PER AND 10387 REMOVE BURRS AND SHARP EDGES ALL DIMENSIONS AFTER PLATING		CONTRACT NO.		USHIO AMERICA, INC. 10550 Camden Dr. Cypress, CA 90630	
MATERIAL COMPOSITE		APPROVALS			
FINISH		DATE		TITLE SM-H2000 SCIENTIFIC MEDICAL LAMP	
APPLICATION		DRAWN R.AMPARO 03/09/00			
		CHKD D.GILCZYNSKI 03/09/00		SIZE B CODE IDENT NO. DWG NO. 8000325	
		ENGR			
		MFG		SCALE NONE WEIGHT SHEET 1 OF 1	
		QUAL			
		DSGN ACTVY			
		GOVT ACTVY			

4

3

1

4

3

2

1

CAD