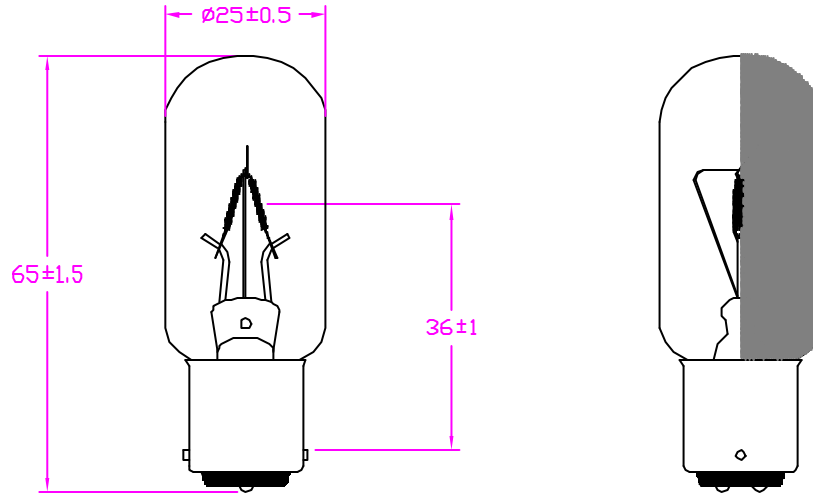


REVISIONS			
REV	DESCRIPTION	DATE	APPROVED



NOTES:

1. ALL DIMENSIONS ARE IN MM.
2. SEAL TEMP: SHOULD BE MAINTAINED BELOW 350°C
3. THE DIMENSIONS AND SPECIFICATIONS OF PRODUCT LISTED IN THIS SHEET ARE SUBJECT TO CHANGE WITHOUT NOTICE FOR IMPROVEMENT.

CHARACTERISTICS	
VOLTAGE	115/125 V
WATTAGE	30 W
AMPERAGE	0.25 A
LUMENS	300 Lm
AVERAGE LIFE	200 HRS
FILAMENT TYPE	CC-2V
BASE TYPE	BA15d/19

ITEM	QTY	DESCRIPTION	CODE IDENT	PART NUMBER	REMARKS
LIST OF MATERIALS					
UNLESS OTHERWISE SPECIFIED DIMENSIONS ARE IN INCHES DECIMALS .X ± - .XX ± .XXX ± ANGLES ± DRILLED HOLES PER AND 10387 REMOVE BURRS AND SHARP EDGES ALL DIMENSIONS AFTER PLATING		CONTRACT NO.		USHIO AMERICA, INC. 5440 Cerritos Ave. Cypress, CA 90501	
MATERIAL COMPOSITE		APPROVALS			
FINISH		DATE		TITLE SM-77458 SCIENTIFIC MEDICAL LAMP	
		DRAWN R.AMPARO 06/07/01			
		CHKD J.COOPER 06/07/01		SIZE B CODE IDENT NO. DWG NO. 8000238	
		ENGR			
		MFG		SCALE NONE WEIGHT SHEET 1 OF 1	
		QUAL			
		DSGN ACTVY		CAD	
		GOVT ACTVY			