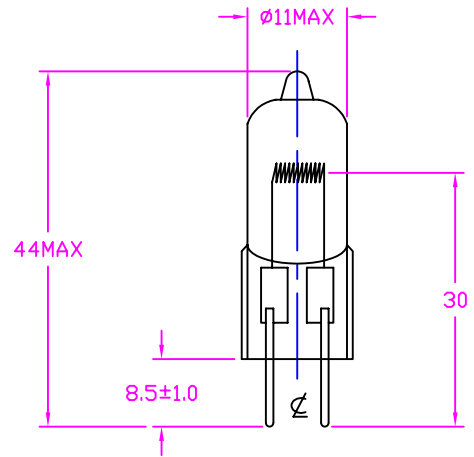


REVISIONS			
REV	DESCRIPTION	DATE	APPROVED



NOTES:

1. ALL DIMENSIONS ARE IN MM.
2. SEAL TEMP: SHOULD BE MAINTAINED BELOW 350°C
3. THE DIMENSIONS AND SPECIFICATIONS OF PRODUCT LISTED IN THIS SHEET ARE SUBJECT TO CHANGE WITHOUT NOTICE FOR IMPROVEMENT.

ITEM	QTY	DESCRIPTION	CODE IDENT	PART NUMBER	REMARKS
LIST OF MATERIALS					
UNLESS OTHERWISE SPECIFIED DIMENSIONS ARE IN INCHES DECIMALS .X ± - .XX ± .XXX ± ANGLES ± DRILLED HOLES PER AND 10387 REMOVE BURRS AND SHARP EDGES ALL DIMENSIONS AFTER PLATING			CONTRACT NO.		USHIO AMERICA, INC. 5440 Cerritos Avenue Cypress, CA 90630
MATERIAL COMPOSITE			APPROVALS		
FINISH			DATE		TITLE SM-18769 SCIENTIFIC MEDICAL LAMP
APPLICATION			DRAWN R.AMPARO 03/13/00		
			CHKD D.GILCZYNSKI 03/13/00		SIZE B
			ENGR		
			MFG		CODE IDENT NO.
			QUAL		
			DSGN ACTVY		DWG NO. 8000126
			GOVT ACTVY		
			SCALE NONE		SHEET 1 OF 1
			WEIGHT		

CHARACTERISTICS	
VOLTAGE	22.8 V
WATTAGE	40 W
TOTAL LUMEN	850 Lm
EFFICIENCY	21.25 Lm/W
COLOR TEMP	3050 K
AVERAGE LIFE	700 HRS
BASE TYPE	G6.35
FILAMENT TYPE	CC-6

4

3

1

4

3

2

1

CAD