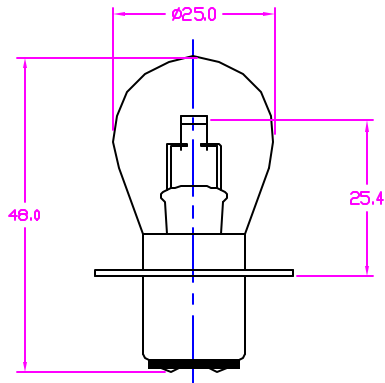


REVISIONS			
REV	DESCRIPTION	DATE	APPROVED



NOTES:

1. ALL DIMENSIONS ARE IN MM UNLESS OTHERWISE SPECIFIED.
2. SEAL TEMP SHOULD BE MAINTAINED BELOW 350°C.
3. THE DIMENSIONS AND SPECIFICATIONS OF PRODUCT LISTED IN THIS SHEET ARE SUBJECT TO CHANGE WITHOUT NOTICE FOR IMPROVEMENT.

ITEM	QTY	DESCRIPTION	CODE IDENT	PART NUMBER	REMARKS
<b>LIST OF MATERIALS</b>					
UNLESS OTHERWISE SPECIFIED DIMENSIONS ARE IN INCHES DECIMALS .X ± - .XX ± .XXX ±			CONTRACT NO.		<b>USHIO AMERICA, INC.</b> 10550 Comdan Dr. Cypress, CA 90630
ANGLES DRILLED HOLES PER AND 10387 REMOVE BURRS AND SHARP EDGES ALL DIMENSIONS AFTER PLATING			APPROVALS	DATE	
MATERIAL <b>COMPOSITE</b>			DRAWN	03/03/00	TITLE <b>SM-1630 SCIENTIFIC MEDICAL LAMP</b>
FINISH			ENGR	03/03/00	
APPLICATION			ENG		SIZE
			QUAL		CODE IDENT NOS
			DRON ACTVY		DWG NO.
			DRVT ACTVY		<b>8000092</b>
			SCALE	NONE	WEIGHT
					SHEET
					1 OF 1

CHARACTERISTICS	
VOLTAGE	8.5 V
AMPERAGE	2.75 A
TOTAL LUMEN	280 Lm
BULB SHAPE	S-25
BASE TYPE	P15d
AVERAGE LIFE	100 HRS
FILAMENT TYPE	C-6U

NEXT ASSY	USED ON