

Solar LED Streetlight

Sun-Powered LED Street Illumination.



Project:	
Catalog#:	
Approved by:	

Applications

Parking Areas Roadways Recreation Areas
Walkways

Features

- Die-cast housing with UV resistant powder coat finish
- Integrated monocrystalline silicon solar panel
- Adjustable LED module for proper optical performance after tilting the solar panel.
- Standard with slip fitter mounting
- High performance LUMILEDS 5050 LED chips achieving 200Lm/W, CRI > 70
- Motion sense, fixed output, or time-based control selectable with remote control programmer. (see other accessories for remote control ordering information)
- Automatically turns on and off without the need for additional photocontrol.
- LiFePO4 battery with 2000 cycle design life (~5.5 years)
- High efficiency MPPT charge controller
- Operating Temperature -10°C to +50°C. Charging is disabled below freezing temperatures to protect battery. The battery will not charge but will continue to operate the LEDs
- High transmittance, UV-inhibited, flame retardant polycarbonate lens
- 6kA lightning surge protection
- IP65 rated
- CE Listed

Description

SLS Series LED Solar Street Light is designed with an all-in-one streamlined design. High brightness LEDs combined with the long lifespan of the lithium iron phosphate battery make this a great lighting solution for applications where electric power is not available.

Note: One remote is required to turn on the fixtures for the first time. Order code: SLS-RC, sold separately.

Ordering Information				
Model	Configuration	CCT	Mounting ¹	Housing Color
SLS: Solar LED Streetlight	008: 1,600 Lumens	4: 4000K	SF: Slipfitter	G: Grey
	020: 4,000 Lumens			
	030: 6,000 Lumens			

¹See additional mounting accessories.

Warranty

- 3 years on battery
- 5 years on fixture
- **No warranty on performance** due to its dependence on environmental factors, and proper aiming requirements of the panel per site's geographic location. Natural variations in weather, and environmental conditions greatly impact performance. No assurance of any specific performance criterion (lumens, duration) is implied.

Model Selection Guide

Model #	Lumens 4000K	Battery (WHr)	Optics	Full Power Run Time (Hr) ²	Max Run Time ^{2,3} (Hr)	Solar Panel Specs ⁴	Dimension L x W x H (in)	Weight (lbs.)	Min. EPA ⁵ (ft ²)	Max. EPA ⁶ (ft ²)
SLS0084	1,600	115	Type III	12	30	17WP	20.5x11.4x3.1	11.7	0.42	1.24
SLS0204	4,000	245				36WP	26.0x16.5x3.7	21.4	0.77	2.29
SLS0304	6,000	385				52WP	42.1x19.3x6.5	29.8	1.05	3.12

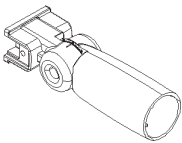
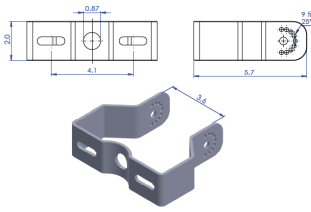
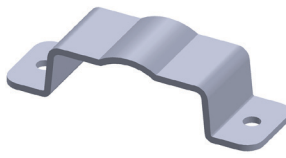

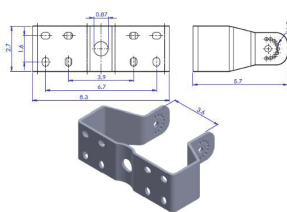
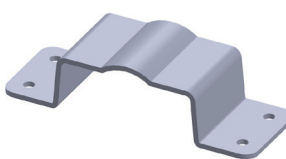

²Fully charged battery @50° solar panel tilt

³At 40% setting

⁴Please review solar panel orientation guidelines for your area for optimal performance.

⁵@15° solar panel tilt

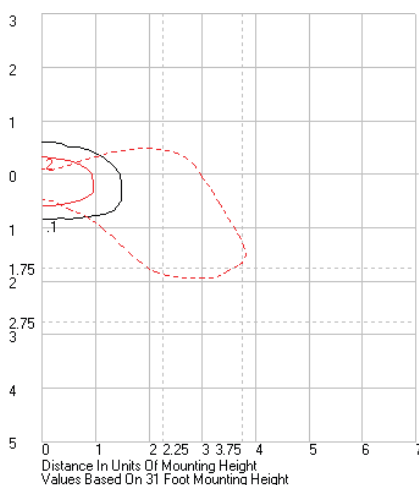
Accessory Guide

	Slipfitter	Trunion		
SLS008	 <p>Vertical (limits tilt angle) or horizontal tenon 1-1/4NPS to 2NPS (1.66" to 2.37").</p> <p>Minimum 5" long tenon required.</p> <p>Included with SLS luminaire</p>	 <p>Wall mount or square pole wider than 3.94"</p> <p>Order SLS-TR</p>	 <p>Round pole or Square pole 1.97" to 3.54".</p> <p>Order SLS-TR and SLS-SH</p>	 <p>Round pole 1.97" to 4.33".</p> <p>Order SLS-TR and SLS-RH</p>
SLS020 / SLS030		 <p>Wall mount or square pole wider than 4.72"</p> <p>Order SLS-TRL</p>	 <p>Round pole 2.36" to 3.94" or Square pole 1.97" to 3.94".</p> <p>Order SLS-TRL and SLS-SHL</p>	 <p>Round pole 1.97" to 4.72".</p> <p>Order SLS-TRL and SLS-RHL</p>

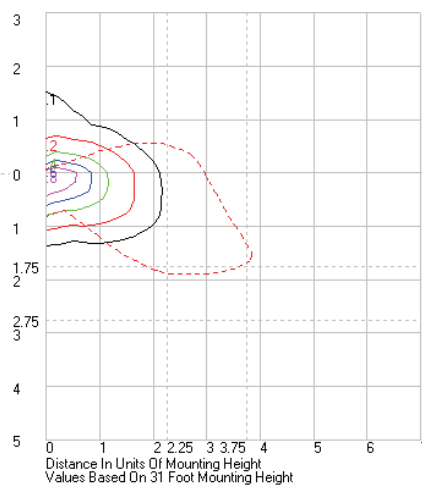
Other Accessories

SLS-RC	SLS008-BATT	SLS020-BATT	SLS030-BATT
Remote control programmer	Replacement battery kit for SLS008 Series	Replacement battery kit for SLS020 Series	Replacement battery kit for SLS030 Series
One required to program and turn on the fixtures for the first time. Works with multiple luminaires.	Replacement door with driver/charger, motion sensor, and battery with modular connections.	Replacement door with driver/charger, motion sensor, and battery with modular connections.	Replacement door with driver/charger, motion sensor, and battery with modular connections.

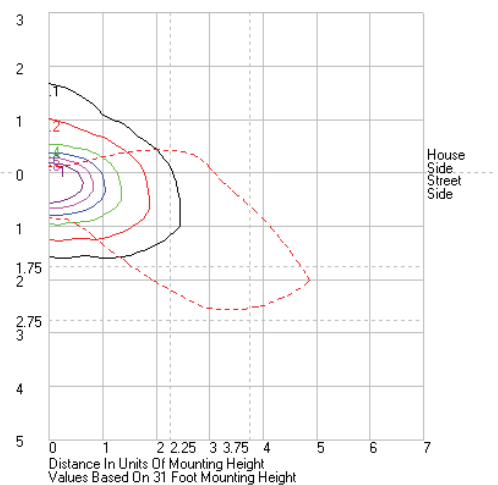
Photometric Performance



SLS0084SFG



SLS0204SFG

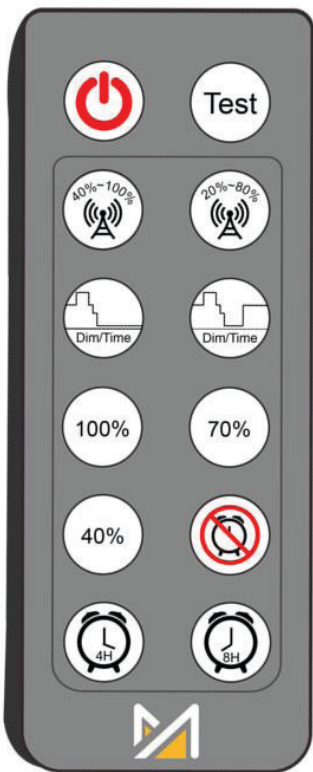


SLS0304SFG

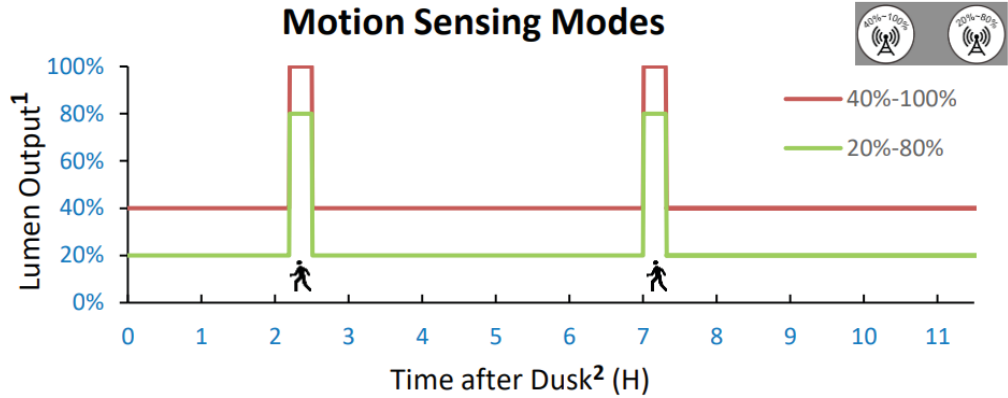
NOTE:

The Luminaire will flash twice when mode selection is received.

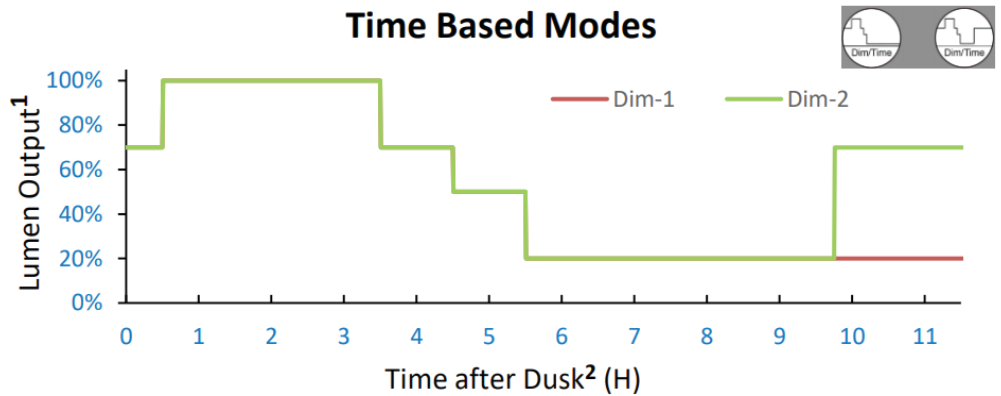
The luminaire will reduce to 40% output power when battery reaches less than 15% of capacity



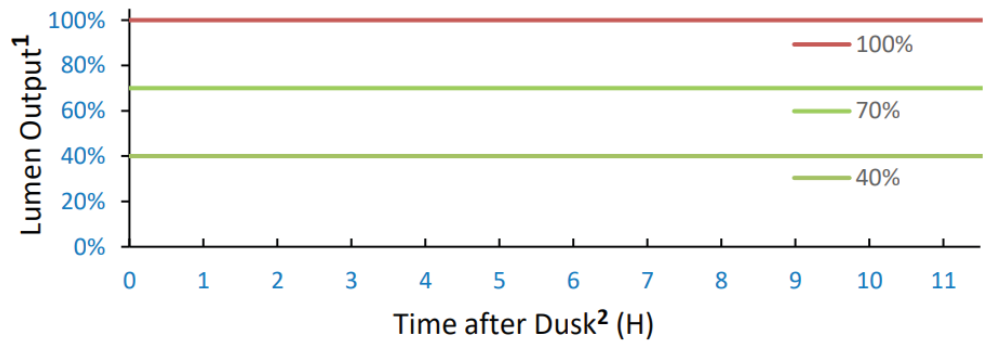
Motion Sensing Modes



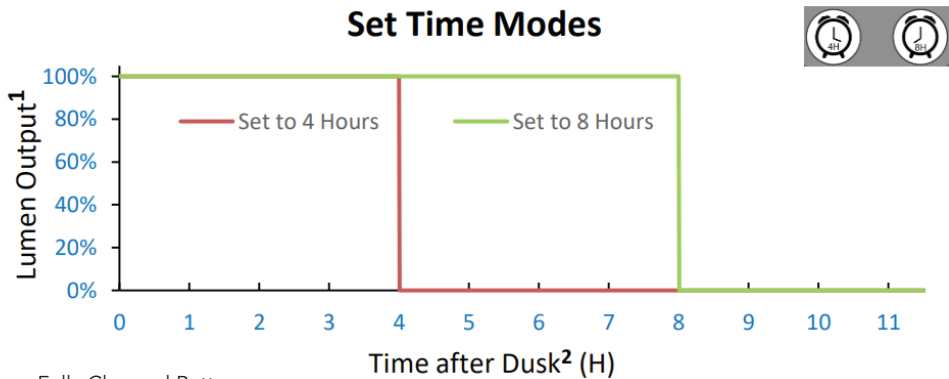
Time Based Modes



Constant Output Modes



Set Time Modes



1. Fully Charged Battery
2. Optimal Conditions