



The **SlimFlood Selectable Gen 3** offers energy saving LED technology along with field selectable color, beam angle, and wattage. Versatile and stylish with seven different sizes to choose from, provides application flexibility for ground, wall or pole mounting installations, with both included in carton. Ideal for sign lighting, building facades, security lighting, and general purpose floodlighting applications.

Project: _____
 Location: _____
 Cat.No: _____
 Type: _____
 Lamps: _____ Qty: _____
 Notes: _____

Ordering guide

example: SF35-SCT-G3-10-PCB-BZ

| Luminaire | CCT | Generation | Voltage | Options | Finish |
|---|--|---------------------------------|---------------------------------|--|---------------------------------|
| <input type="text"/> | <input type="text" value="SCT"/> | <input type="text" value="G3"/> | <input type="text" value="10"/> | <input type="text"/> | <input type="text" value="BZ"/> |
| SF20 SlimFlood 10-15-20W SF35 SlimFlood 15-25-35W SF60 SlimFlood 35-45-60W SF80 SlimFlood 60-70-80W SF150 SlimFlood 100-120-150W SF250 SlimFlood 190-220-250W SF300 SlimFlood 150-240-300W | SCT CCT Selectable (3000K, 4000K, 5000K) | G3 Gen 3 | 10 120-347V | PCB Photocell ¹ (SF20, SF35, SF60, SF80, SF100, and SF150 only) - Photocell Ready (SF250 and SF300 only) | BZ Bronze |

1. Photocell is included as standard for SF20, SF60, SF80, SF150 with an ON/OFF switch.
2. Photocell is included in carton for SF250 and SF300.

LED Wattage and Lumen Values

| Ordering Guide | Color Temp. (K) ¹ | Average System Wattage | Lumen Output ³ | Efficacy (LPW) |
|----------------|------------------------------|------------------------|---------------------------|----------------|
| SF20 | 4000 | 10/15/20W | 1500/2200/2900lm | 145 |
| SF35 | 4000 | 15/25/35W | 2450/3900/5050lm | 145 |
| SF60 | 4000 | 35/45/60W | 5750/7100/9400lm | 155 |
| SF80 | 4000 | 60/70/80W | 9450/10600/12350lm | 150 |
| SF150 | 4000 | 100/120/150W | 15550/18550/22250lm | 145 |
| SF250 | 4000 | 190/220/250W | 30400/34000/38050lm | 150 |
| SF300 | 4000 | 150/240/300W | 24650/37200/45800lm | 150 |

1. Color temperature default setting is 4000K.
2. Wattage/Lumen Output factory setting set to mid power option.
3. Wattage and lumen output may vary by +/-10% due to actual input voltage.
4. Lumen values based on photometric tests performed in compliance with IESNA LM-79.
5. Beam angle factory setting is 90°.

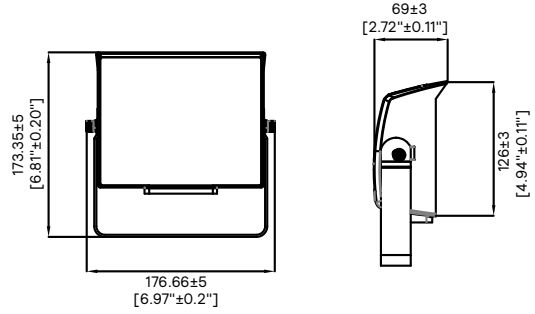
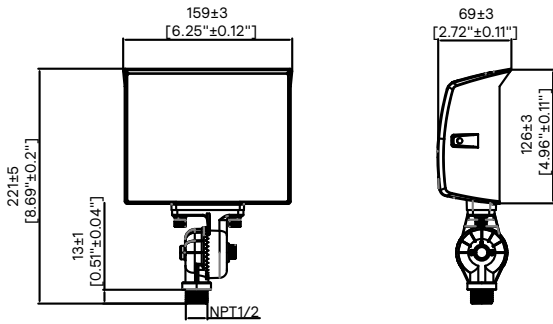
SF20/35/60/80/150/250/300

SlimFlood LED dual select 20-300W

Dimensions: 20-35W

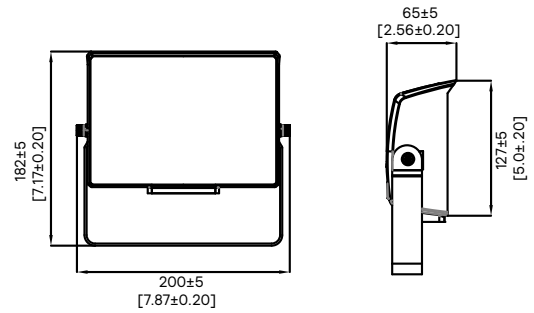
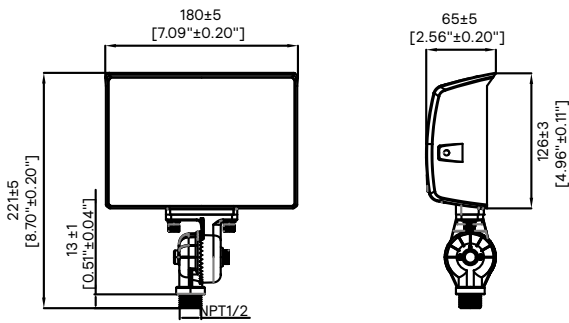
Knuckle

Yoke



20W Knuckle
SlimFlood 10-15-20W/3CCT/UN3/KN

20W Yoke
SlimFlood 10-15-20W/3CCT/UN3/YK



35W Knuckle
SlimFlood 15-25-35W/3CCT/UN3/KN/PCB

35W Yoke
SlimFlood 15-25-35W/3CCT/UN3/YK/PCB

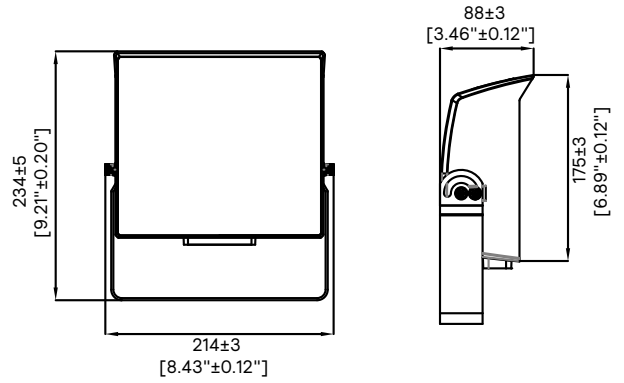
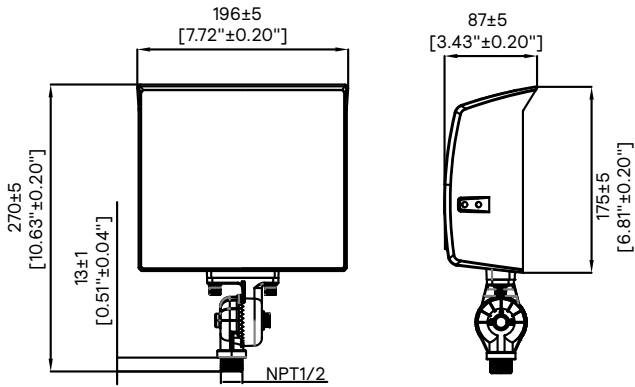
SF20/35/60/80/150/250/300

SlimFlood LED dual select 20-300W

Dimensions (cont'd): 60-80W

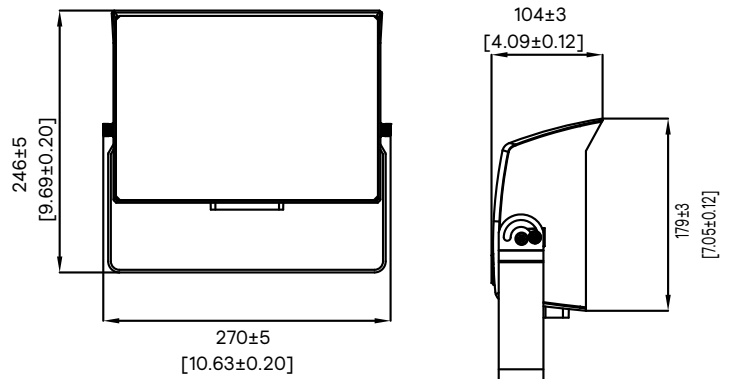
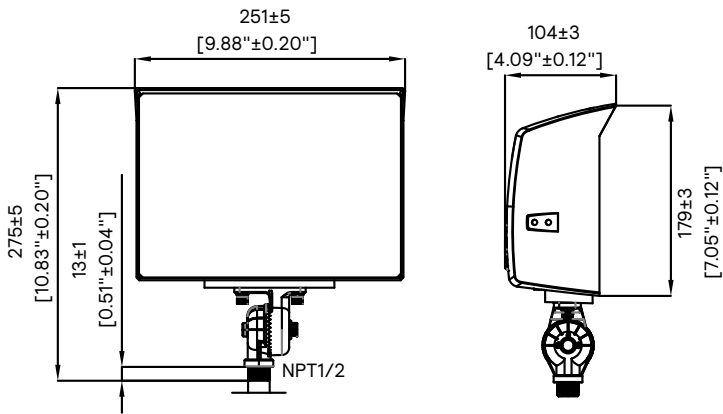
Knuckle

Yoke



60W Knuckle
SlimFlood 34-45-60W/3CCT/UN3/KN/PCB

60W Yoke
SlimFlood 34-45-60W/3CCT/UN3/YK/PCB



80W Knuckle
SlimFlood 60-70-80W/3CCT/UN3/KN/PCB

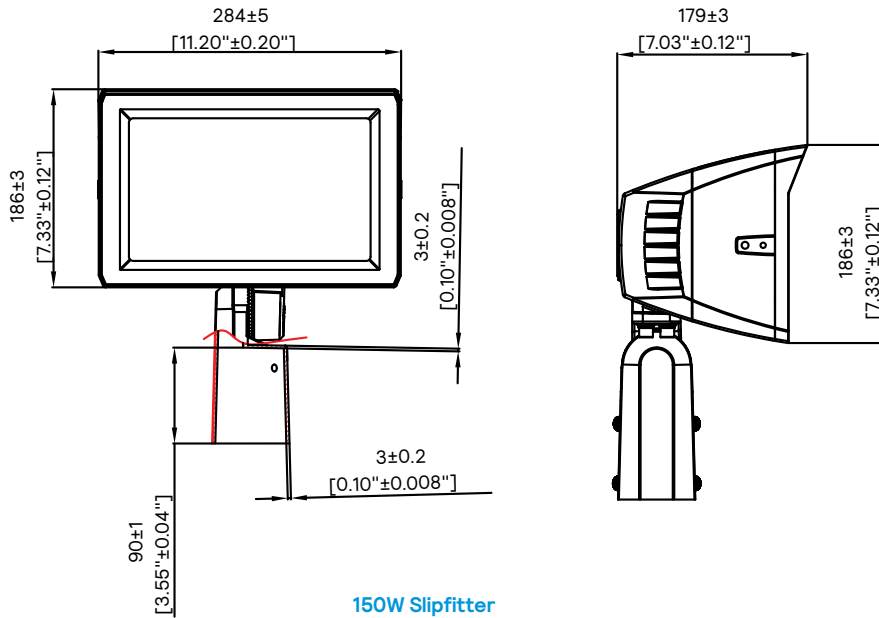
80W Yoke
SlimFlood 60-70-80W/3CCT/UN3/YK/PCB

SF20/35/60/80/150/250/300

SlimFlood LED dual select 20-300W

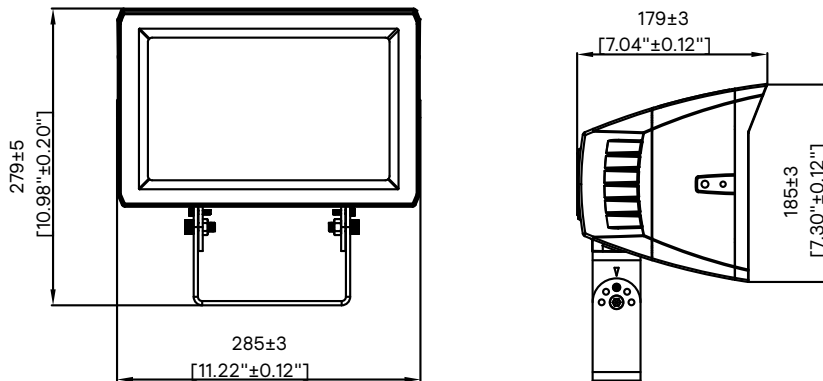
Dimensions (cont'd): 150W

Slipfitter



150W Slipfitter
SlimFlood 100-120-150W/3CCT/UN3/SF/PCB

Trunnion



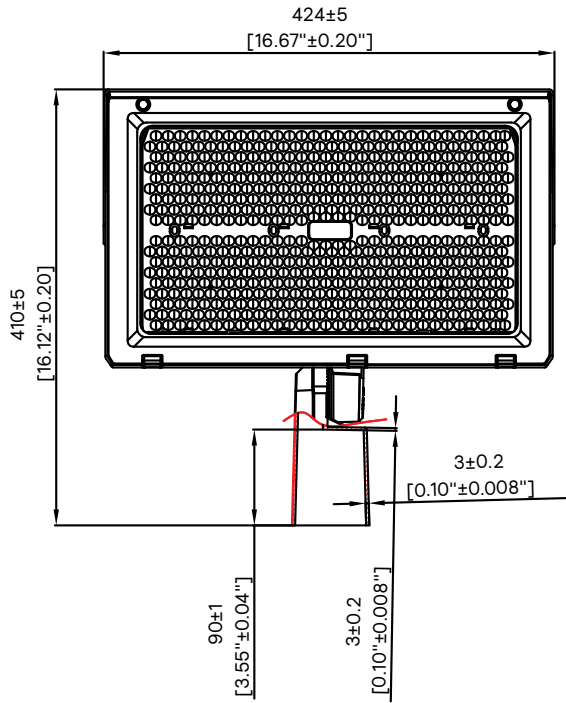
150W Trunnion
SlimFlood 100-120-150W/3CCT/UN3/TN/PCB

SF20/35/60/80/150/250/300

SlimFlood LED dual select 20-300W

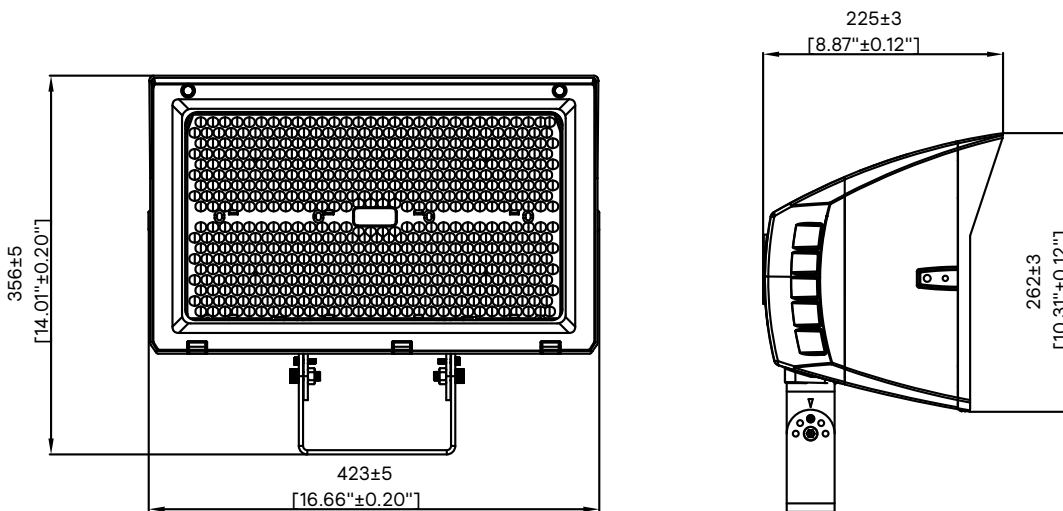
Dimensions (cont'd): 250W

Slipfitter



250W Slipfitter
SlimFlood 190-220-250W/3CCT/UN3/SF

Trunnion



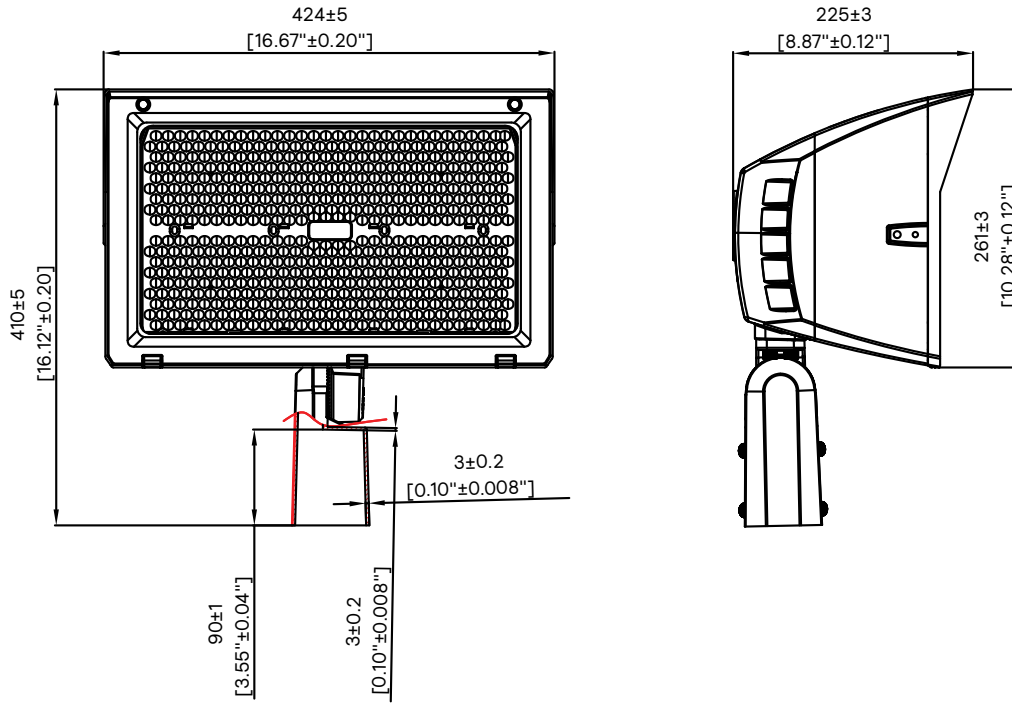
250W Trunnion
SlimFlood 190-220-250W/3CCT/UN3/TN

SF20/35/60/80/150/250/300

SlimFlood LED dual select 20-300W

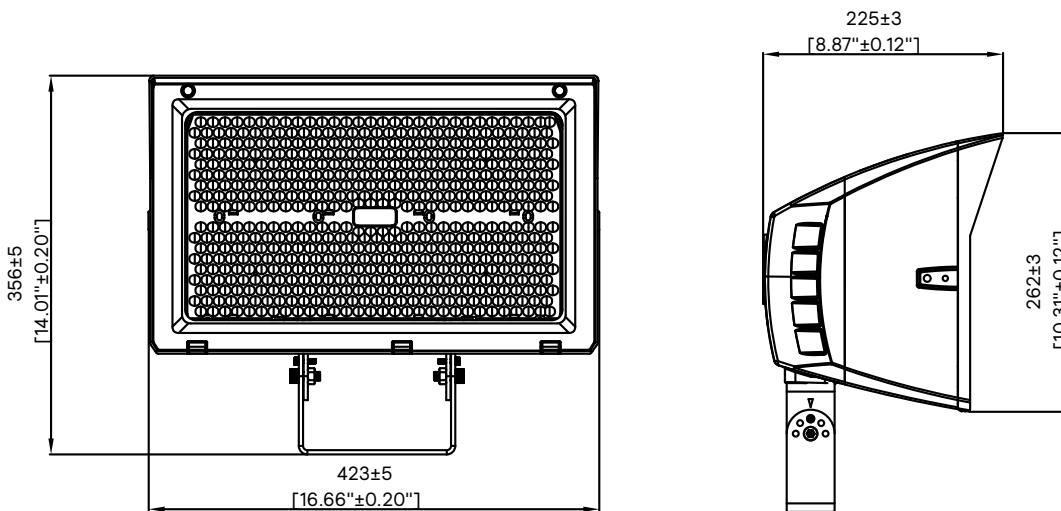
Dimensions (cont'd): 300W

Slipfitter



300W Slipfitter
SlimFlood 150-240-300W/3CCT/UN3/SF

Trunnion



300W Trunnion
SlimFlood 150-240-300W/3CCT/UN3/TN

SF20/35/60/80/150/250/300

SlimFlood LED dual select 20–300W

Specifications

Housing and Heat Sink

Single piece aluminum alloy die cast housing.

Mounting

Suitable for mounting within 4' (1.2m) of the ground.

Knuckle: Integral die cast Aluminum adjustable knuckle ½" NPT male threads with locking teeth and bolt to lock in aiming angle. Ships fully assembled, ready to install. Knuckle mount option standard for SF20, SF35, SF60, and SF80 only.

Yoke: Integral structural steel adjustable Yoke for direct surface mounting, painted for resistance to corrosion, with bolt to lock in aiming angle. Ships fully assembled, ready to install. Yoke mount option standard for SF20, SF35, SF60, and SF80 only.

Trunnion: Integral structural steel adjustable trunnion for direct surface mounting, painted for resistance to corrosion, with bolt to lock in aiming angle. Ships fully assembled, ready to install. Trunnion mount option for SF150, SF250 and SF300 only.

Slipfitter: Integral die cast Aluminum adjustable slipfitter includes set screws for securing luminaire to 2-3/8" O.D. tenon, with aiming angle markings and bolt to lock in aiming angle. Ships fully assembled, ready to install. Slipfitter mount option for SF150, SF250 and SF300 only.

Angle aiming/tilt: -90/0/90

Lens

20W–300W Polycarbonate lens.

Light Engine

Composed of 3 main components: LED Module / Optical System / Driver. Electrical components are RoHS compliant.

Color Temperature

All luminaires are provided with three field selectable color temperature options: 3000K/4000K (Default)/5000K.

Wattage

SlimFlood dual select is provided with wattage field adjustable options.

20W/15W/10W switchable, default setting: 20W
35/25/15W switchable, default setting: 35W
60/45/35W switchable, default setting: 60W
80/70/60W switchable, default setting: 80W
150/120/100W switchable, default setting: 150W
250/220/190W switchable, default setting: 250W
300/240/150W switchable, default setting: 300W

Driver

Slim Flood dual select operates with a 120–347V; 50/60Hz Class 1 or Class 2 driver. All configurations operate with 0–10V dimming.

Other Integrated Features

Photocell: Included as standard for SF20, SF35, SF60, SF80, SF150 with an ON/OFF switch in the luminaire and included in carton for SF250 & SF300.

Surge Protection: Each luminaire is provided as standard with surge protection. 20–35W: 2.5KV; 60W: 6KV; 80–300W: 10KV.

Beam Angle: 20–300W adjustable optics - 90°/75°/55°.

Finish

Fade and abrasion resistant powdercoat bronze finish (RAL 8019).

Certifications and Compliance

cULus Listed for Canada and USA. DLC 5.1 Premium. Entire luminaire is rated for operation in ambient temperature of:

20–150W: -30°C–50°C with Photocell **on**,

20–150W: -40°C–50°C with Photocell **off**;

250–300W: -40°C–50°C

IP65 Rating

Entire luminaire including light engine and driver/ electrical compartment IP65 rated in all aiming positions including upward aiming floodlighting applications.

Limited Warranty

5-year limited warranty. See [signify.com/warranties](https://www.signify.com/warranties) for details and restrictions. Visit our eCatalog or contact your local sales representative for more information.

Predicted Lumen Depreciation Data

| Ambient Temperature °C | L ₇₀ per TM21 ^{1,2} |
|------------------------|---|
| 25°C | 50,000hrs |

1. L₇₀ is the predicted time when LED performance depreciates to 70% of initial lumen output.

2. Calculated per IESNA TM 21-11. Published L₇₀ hours limited to 6 times actual LED test hours.