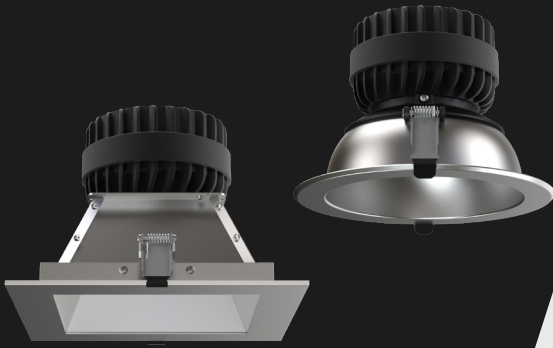


## Advantage Series

### Recessed Canless Downlight

**Advantage Series** offers high performance downlighting packed with field-selectable features and designed for easy installation. The install from below design eliminates the need for a housing in New Construction as well as remodeler, or retrofit applications to save time and money. Choose the perfect performance features before, during, or even after installation including adjustable beam angle and a built-in Dim To Warm function that can be enabled to adapt to any mood.



### Construction

<b>Housing:</b>	Aluminum
<b>Lens:</b>	Polycarbonate
<b>Paint:</b>	Reflector: Aluminum anodized, white paint options
<b>Weight:</b>	1X & 2X: 2.51lbs (1.14kg) 5X: 2.95lbs (1.34kg)
<b>Optical Assembly:</b>	High Efficacy COB with polycarbonate diffuse lens optic

### Controls

**Dimming:** Standard 0-10V @ 1% Dimming, Dim to Off

### Ambient Temperature

TYPE	TEMPERATURE RATE
<b>OPERATING TEMPERATURE:</b>	25°C (77°F)

### Optical System

<b>Lumens:</b>	750-5500lm
<b>Distribution:</b>	Adjustable (55° - 75°)
<b>Efficacy:</b>	Up to 110
<b>CCT:</b>	Selectable 2700K/3000K/3500K/4000K/5000K
<b>CRI:</b>	90+CRI
<b>Color Consistency:</b>	3-Step MacAdam Ellipse

### Lumen Maintenance

<b>LXX (10K) @ Hours</b>
L70 > 54,000

### Mounting

- New Construction, Retrofit & Remodel
- Install from below
- 26" flexible conduit with integral wiring compartment
- Optional frame kits for new construction install
- Can accommodate up to 2" ceiling thickness

### Electrical

<b>Input Voltage:</b>	120-277V
<b>Input Frequency:</b>	50/60Hz
<b>Power Factor (PF)*:</b>	>98%
<b>Total Harmonic Distortion (THD)*:</b>	<20%*

\* PF and THD may vary with options

### Design Life & Warranty

- Suitable for wet location under covered ceiling
- 1X module is IC rated; 2X and 5X modules are Non-IC rated
- **Current's Limited 5-year Warranty:** Please see website.





#### CUSTOMER NAME

Project Name \_\_\_\_\_

Date \_\_\_\_\_ Type \_\_\_\_\_

Catalog Number \_\_\_\_\_

### Lumen Data

Based on 3000K, 90 CRI, Diffuse reflector finish

MODEL	BEAM ANGLE (SC)		MODULE	LUMEN SETTING	LUMEN	WATT	EFF (LM/W)	
	SETTING							
	"N"	"W"						
4" Round Downlight	58° (0.9)	71° (1.1)	1X	Low	792	9.3 W	85	
				Med	1184	13.9 W	85	
				High	1644	19.3 W	85	
			2X	Low	1987	23.5 W	85	
				Med	2621	31.0 W	85	
				High	3060	36.2 W	85	
	5X	Low	792	9.3 W	85			
		Med	1184	13.9 W	85			
		High	1644	19.3 W	85			
	6" Round Downlight	56° (0.8)	74° (1.0)	1X	Low	2014	23.5 W	86
					Med	2657	31.0 W	86
					High	3103	36.2 W	86
2X				Low	3666	35.6 W	103	
				Med	4603	44.7 W	103	
				High	5860	56.9 W	103	
5X		Low	785	9.3 W	84			
		Med	1174	13.9 W	84			
		High	1630	19.3 W	84			
8" Round Downlight		54° (0.8)	66° (0.9)	1X	Low	785	9.3 W	84
					Med	1174	13.9 W	84
					High	1630	19.3 W	84
	2X			Low	1937	23.5 W	82	
				Med	2555	31.0 W	82	
				High	2983	36.2 W	82	
	5X	Low	3676	35.6 W	103			
		Med	4616	44.7 W	103			
		High	5876	56.9 W	103			

MODEL	BEAM ANGLE (SC)		MODULE	LUMEN SETTING	LUMEN	WATT	EFF (LM/W)	
	SETTING							
	"N"	"W"						
4" Square Downlight	55° (0.8)	62° (1.1)	1X	Low	746	9.3 W	80	
				Med	1114	13.9 W	80	
				High	1547	19.3 W	80	
			2X	Low	1818	23.5 W	77	
				Med	2398	31.0 W	77	
				High	2800	36.2 W	77	
	5X	Low	814	9.3 W	88			
		Med	1217	13.9 W	88			
		High	1689	19.3 W	88			
	6" Square Downlight	54° (0.8)	70° (1.0)	1X	Low	1983	23.5 W	84
					Med	2615	31.0 W	84
					High	3054	36.2 W	84
2X				Low	3599	35.6 W	101	
				Med	4518	44.7 W	101	
				High	5752	56.9 W	101	
5X		Low	819	9.3 W	88			
		Med	1224	13.9 W	88			
		High	1700	19.3 W	88			
8" Square Downlight		55° (0.8)	72° (1.0)	1X	Low	819	9.3 W	88
					Med	1224	13.9 W	88
					High	1700	19.3 W	88
	2X			Low	1992	23.5 W	85	
				Med	2628	31.0 W	85	
				High	3069	36.2 W	85	
	5X	Low	3614	35.6 W	102			
		Med	4538	44.7 W	102			
		High	5777	56.9 W	102			

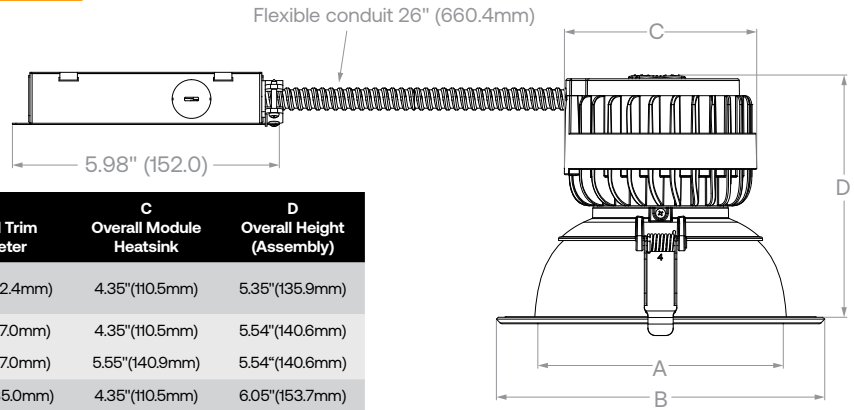
## Accessories

CATALOG STRING	PRODUCT DESCRIPTION	NOTES
<b>FRAME KITS</b>		
FRAME-4R-HB/J-BOX	Frame Kit, New Construction, 4" Round	Includes J-Box and Bar Hangers
FRAME-6R-HB/J-BOX	Frame Kit, New Construction, 6" Round	Includes J-Box and Bar Hangers
FRAME-4S-HB/J-BOX	Frame Kit, New Construction, 4" Square	Includes J-Box and Bar Hangers
FRAME-6S-HB/J-BOX	Frame Kit, New Construction, 6" Square	Includes J-Box and Bar Hangers
FRAME-8-HB/J-BOX	Frame Kit, New Construction, 8" Round	Includes J-Box and Bar Hangers
<b>EMERGENCY BATTERY BACKUP KITS</b>		
FRAME4REL07	Frame Kit, New Construction, Emergency Battery Backup, 4" Round	Includes J-Box and Bar Hangers
FRAME6REL07	Frame Kit, New Construction, Emergency Battery Backup, 6" Round	Includes J-Box and Bar Hangers
FRAME4SEL07	Frame Kit, New Construction, Emergency Battery Backup, 4" Square	Includes J-Box and Bar Hangers
FRAME6SEL07	Frame Kit, New Construction, Emergency Battery Backup, 6" Square	Includes J-Box and Bar Hangers
FRAME8EL07	Frame Kit, New Construction, Emergency Battery Backup, 8" Round	Includes J-Box and Bar Hangers
LDEMBKIT07	Emergency Battery Backup Kit, Remote Mount	

## Product Dimensions

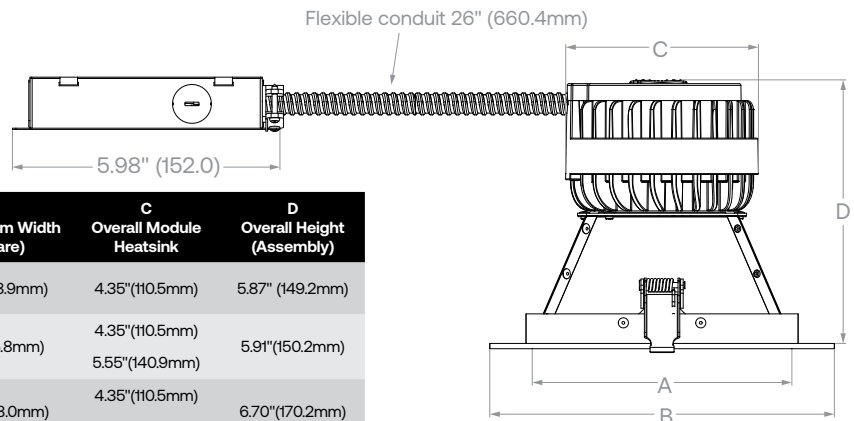
### Round

Nominal Aperture	Ceiling Cutout Min.-Max.	Module Lumen Package	A Aperture Diameter	B Overall Trim Diameter	C Overall Module Heatsink	D Overall Height (Assembly)
4"	ø4.72"-5.46" (ø119.9-138.7mm)	1X-2X	ø4.15"(105.4mm)	ø6.00"(152.4mm)	4.35"(110.5mm)	5.35"(135.9mm)
6"	ø6.30"-7.10" (ø160.0-180.3mm)	1X-2X 5X	ø5.65"(143.8mm)	ø7.36"(187.0mm)	4.35"(110.5mm) 5.55"(140.9mm)	5.54"(140.6mm)
8"	ø7.87"-8.74" (ø199.9-222.0mm)	1X-2X 5X	ø7.60"(193.0mm)	ø9.25"(235.0mm)	4.35"(110.5mm) 5.55"(140.9mm)	6.05"(153.7mm)



### Square

Nominal Aperture	Ceiling Cutout Min.-Max. (Square)	Module Lumen Package	A Aperture Width (Square)	B Overall Trim Width (Square)	C Overall Module Heatsink	D Overall Height (Assembly)
4"	4.50"-5.00" (114.3-127.0mm)	1X-2X	3.58"(90.9mm)	5.86"(148.9mm)	4.35"(110.5mm)	5.87"(149.2mm)
6"	6.40"-7.00" (162.6-177.8mm)	1X-2X 5X	5.43"(137.8mm)	7.71"(195.8mm)	4.35"(110.5mm) 5.55"(140.9mm)	5.91"(150.2mm)
8"	8.00"-9.00" (203.2-228.6mm)	1X-2X 5X	7.09"(180.0mm)	9.37"(238.0mm)	4.35"(110.5mm) 5.55"(140.9mm)	6.70"(170.2mm)



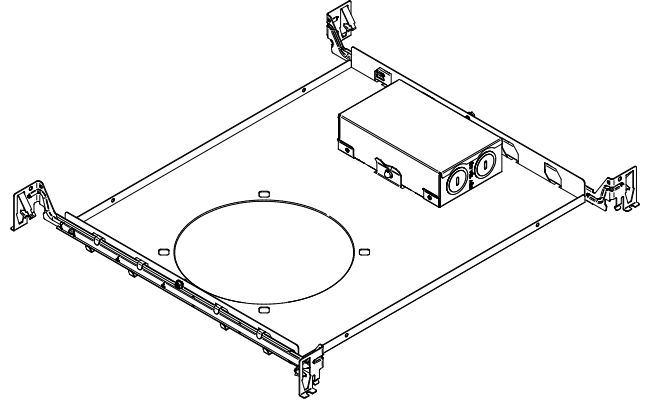
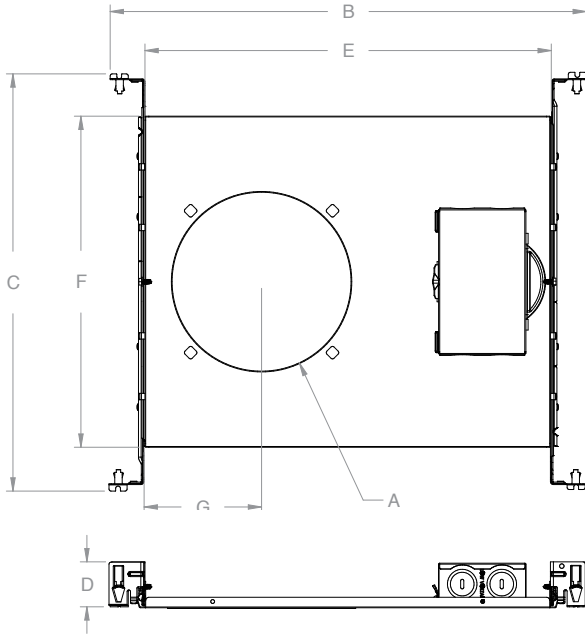
### CUSTOMER NAME

Project Name \_\_\_\_\_

Date \_\_\_\_\_ Type \_\_\_\_\_

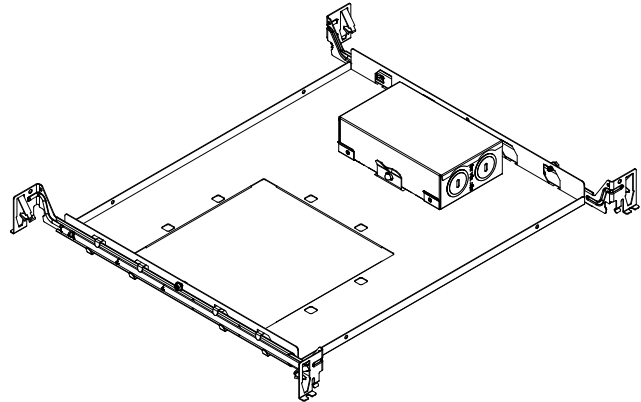
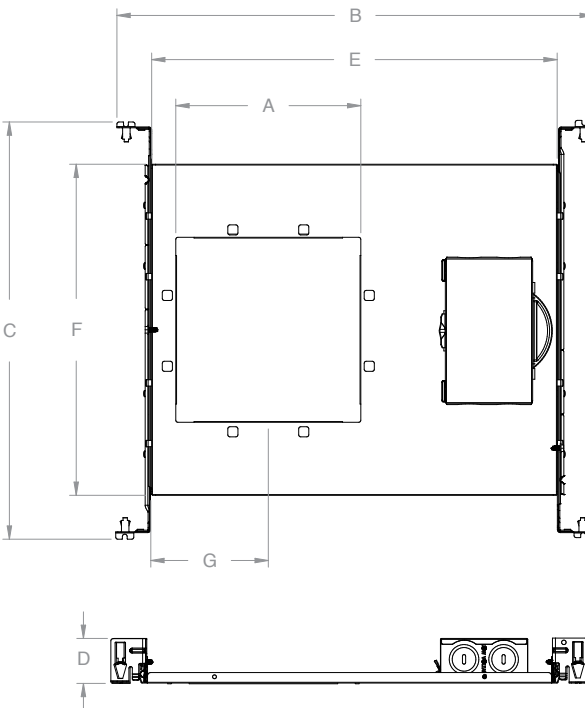
Catalog Number \_\_\_\_\_

### 4" and 6" Round

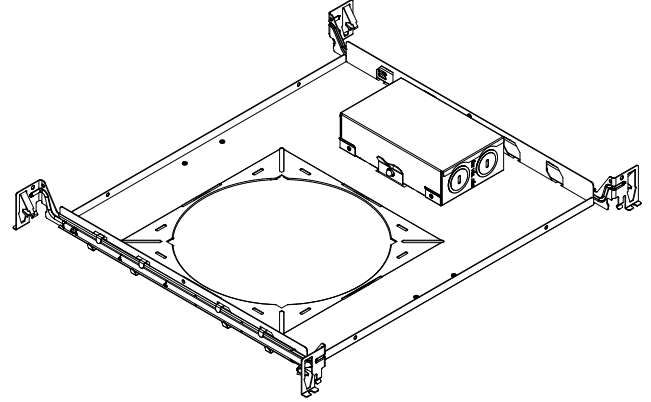
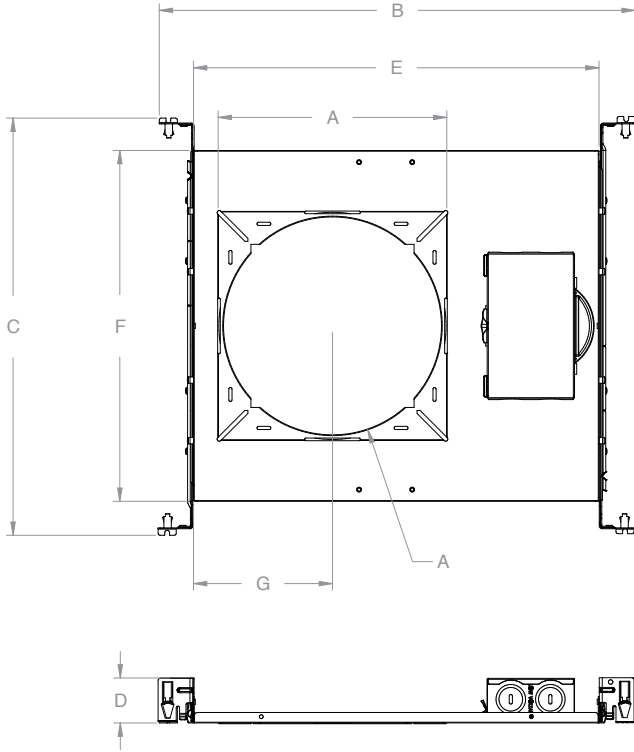


CATALOG NUMBER	"A" APERTURE OPENING	"B" OVERALL LENGTH	"C" OVERALL WIDTH	"D" HEIGHT	"E" PAN LENGTH	"F" PAN WIDTH	"G" APERTURE CENTER
FRAME-4R-HB / J-BOX	Ø 4.94" (125.5mm)	17.65" (448.3mm)	14.57" (370.1mm)	1.68" (42.7mm)	15.03" (381.8mm)	12.28" (311.9mm)	4.32" (109.7mm)
FRAME-6R-HB / J-BOX	Ø 6.64" (168.7mm)						

### 4" and 6" Square



CATALOG NUMBER	"A" APERTURE OPENING	"B" OVERALL LENGTH	"C" OVERALL WIDTH	"D" HEIGHT	"E" PAN LENGTH	"F" PAN WIDTH	"G" APERTURE CENTER
FRAME-4S-HB / J-BOX	4.83" (122.7mm) SQ.	17.65" (448.3mm)	14.57" (370.1mm)	1.68" (42.7mm)	15.03" (381.8mm)	12.28" (311.9mm)	4.32" (109.7mm)
FRAME-6S-HB / J-BOX	6.83" (173.5mm) SQ.						

**8" Round/Square**


CATALOG NUMBER	"A" APERTURE OPENING	"B" OVERALL LENGTH	"C" OVERALL WIDTH	"D" HEIGHT	"E" PAN LENGTH	"F" PAN WIDTH	"G" APERTURE CENTER
FRAME-8-HB / J-BOX	Ø 8.07" (205mm) 8.46" (214.9mm) SQ.	17.65" (448.3mm)	14.57" (370.1mm)	1.68" (42.7mm)	15.03" (381.8mm)	12.99" (329.9mm)	5.14" (130.6mm)

**Photometric Data**
**4" Round, Diffuse Reflector**

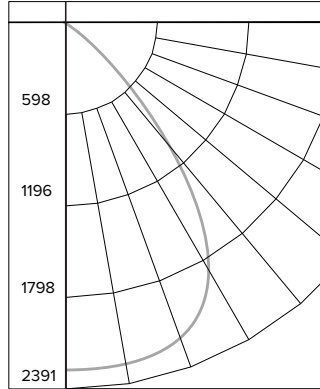
LDAVM2X9DWW1\_RLDAVR4DF

Settings: High Lumen, 3000K, 75° Beam "W"

 Delivered Lumens: 2813  
 Watts: 35.9  
 Efficacy: 78 lm/W  
 Beam Angle: 71°  
 Spacing Criterion: 1.10  
 UGR: 14.2

**ZONAL LUMEN SUMMARY**

Zone	Lumens	% Luminaire
0-40	2523	89.7
0-60	2781	98.9
0-90	2813	100
0-180	2813	100


**CANDELA DISTRIBUTION**

Degree	Candela
0	2388
5	2370
15	2283
25	1944
35	1236
45	215
55	59
65	22
75	8
85	1

**LUMINANCE DATA\***

Vertical Angle	Average
45°	35027
55°	11935
65°	6052
75°	3483
85°	1909

\*Candela/Square Meter

**6" Round, Diffuse Reflector**

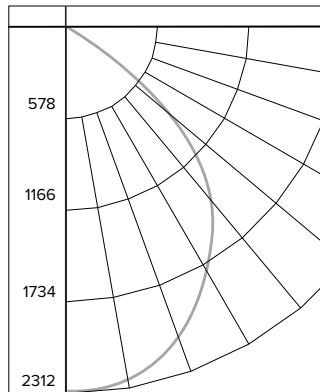
LDAVM2X9DWW1\_RLDAVR6DF

Settings: High Lumen, 3000K, 75° Beam "W"

 Delivered Lumens: 3008  
 Watts: 35.9  
 Efficacy: 84 lm/W  
 Beam Angle: 76°  
 Spacing Criterion: 1.06  
 UGR: 11.8

**ZONAL LUMEN SUMMARY**

Zone	Lumens	% Luminaire
0-40	2402	79.9
0-60	2981	99.1
0-90	3007	100
0-180	3007	100


**CANDELA DISTRIBUTION**

Degree	Candela
0	2310
5	2271
15	2085
25	1766
35	1343
45	769
55	61
65	17
75	7
85	1

**LUMINANCE DATA\***

Vertical Angle	Average
45°	35027
55°	11935
65°	6052
75°	3483
85°	1909

\*Candela/Square Meter

**8" Round, Diffuse Reflector**

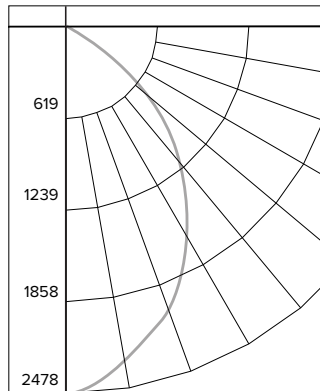
LDAVM2X9DWW1\_RLDAVR8DF

Settings: High Lumen, 3000K, 75° Beam "W"

 Delivered Lumens: 2945  
 Watts: 35.6  
 Efficacy: 83 lm/W  
 Beam Angle: 68°  
 Spacing Criterion: 0.94  
 UGR: 3.8

**ZONAL LUMEN SUMMARY**

Zone	Lumens	% Luminaire
0-40	2307	78.3
0-60	2935	99.6
0-90	2945	100
0-180	2945	100


**CANDELA DISTRIBUTION**

Degree	Candela
0	2477
5	2400
15	2081
25	1669
35	1204
45	734
55	38
65	6
75	3
85	1

**LUMINANCE DATA\***

Vertical Angle	Average
45°	36603
55°	2345
65°	528
75°	368
85°	304

\*Candela/Square Meter

**4" Square, Diffuse Reflector**

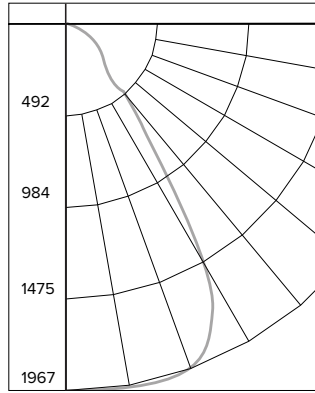
LDAVM2X9DWW1\_RLDAVS4DF

Settings: High Lumen, 3000K, 75° Beam "W"

 Delivered Lumens: 2484  
 Watts: 35.7  
 Efficacy: 70 lm/W  
 Beam Angle: 62°  
 Spacing Criterion: 1.06  
 UGR: 23.9

**ZONAL LUMEN SUMMARY**

Zone	Lumens	% Luminaire
0-40	2047	82.4
0-60	2375	95.6
0-90	2484	100
0-180	2484	100


**CANDELA DISTRIBUTION**

Degree	Candela
0	1953
5	1936
15	1932
25	1670
35	574
45	275
55	192
65	84
75	30
85	6

**LUMINANCE DATA\***

Vertical Angle	Average
45°	48001
55°	41338
65°	24599
75°	14362
85°	7831

\*Candela/Square Meter

**6" Square, Diffuse Reflector**

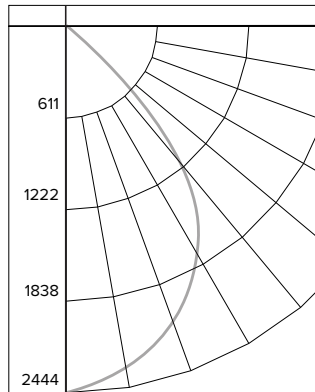
LDAVM2X9DWW1\_RLDAVS6DF

Settings: High Lumen, 3000K, 75° Beam "W"

 Delivered Lumens: 2830  
 Watts: 35.5  
 Efficacy: 80 lm/W  
 Beam Angle: 70°  
 Spacing Criterion: 1.00  
 UGR: 10.5

**ZONAL LUMEN SUMMARY**

Zone	Lumens	% Luminaire
0-40	2384	84.2
0-60	2804	99.1
0-90	2830	100
0-180	2830	100


**CANDELA DISTRIBUTION**

Degree	Candela
0	2444
5	2386
15	2155
25	1778
35	1234
45	209
55	36
65	16
75	6
85	2

**LUMINANCE DATA\***

Vertical Angle	Average
45°	51496
55°	3241
65°	1806
75°	1230
85°	1020

\*Candela/Square Meter

**6" Square, Diffuse Reflector**

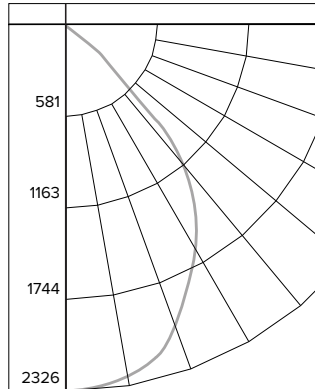
LDAVM2X9DWW1\_RLDAVS8DF

Settings: High Lumen, 3000K, 75° Beam "W"

 Delivered Lumens: 2831  
 Watts: 35.5  
 Efficacy: 80 lm/W  
 Beam Angle: 72°  
 Spacing Criterion: 1.02  
 UGR: 6.4

**ZONAL LUMEN SUMMARY**

Zone	Lumens	% Luminaire
0-40	2354	83.2
0-60	2813	99.4
0-90	2831	100
0-180	2831	100


**CANDELA DISTRIBUTION**

Degree	Candela
0	2325
5	2285
15	2126
25	1703
35	1207
45	220
55	25
65	11
75	4
85	2

**LUMINANCE DATA\***

Vertical Angle	Average
45°	29888
55°	1335
65°	675
75°	447
85°	418

\*Candela/Square Meter

**Dimmer Compatibility List**
**Important Notice**

Because dimming equipment, applications, and conditions of use are many, varied, and beyond Current's control, this information necessarily is based on limited samples sizes and testing. This list only included dimmers that have been tested with the Current's luminaires listed. There may be other dimmers on the market that are compatible with these Current's luminaires. If you have a question about a particular dimmer that is not on the list, please contact Current to see if the model has been tested, or to arrange testing.

1. Adjust the dimmer to the lowest setting.
2. Locate the trim adjustment and set to the lowest light level where the light output is stable.
3. Turn fixture off and on to ensure proper operation. If it is not operating as expected, adjust the trim up slightly and retest.