

Advantage Series

Recessed Canless Downlight

Advantage Series offers high performance downlighting packed with field-selectable features and designed for easy installation. The install from below design eliminates the need for a housing in New Construction as well as remodeler, or retrofit applications to save time and money. Choose the perfect performance features before, during, or even after installation including adjustable beam angle.



Construction

Housing:	Aluminum
Lens:	Polycarbonate
Paint:	Reflector: Aluminum anodized, white paint options
Weight:	1X & 2X: 2.51lbs (1.14kg) 5X: 2.95lbs (1.34kg)
Optical Assembly:	High Efficacy COB with polycarbonate diffuse lens optic

Controls

Dimming: Standard 0-10V @ 1% Dimming, Dim to Off

Ambient Temperature

TYPE	TEMPERATURE RATE
OPERATING TEMPERATURE:	25°C (77°F)

Optical System

Lumens:	750-5500lm
Distribution:	Adjustable (55° - 75°)
Efficacy:	Up to 110
CCT:	Selectable 2700K/3000K/3500K/4000K/5000K
CRI:	90+CRI
Color Consistency:	3-Step MacAdam Ellipse

Lumen Maintenance

LXX (10K) @ Hours
L70 > 54,000

Mounting

- New Construction, Retrofit & Remodel
- Install from below
- 26" flexible conduit with integral wiring compartment
- Optional frame kits for new construction install
- Can accommodate up to 2" ceiling thickness

Electrical

Input Voltage:	120-277V
Input Frequency:	50/60Hz
Power Factor (PF)*:	>90%
Total Harmonic Distortion (THD)*:	<20%*

* PF and THD may vary with options

Design Life & Warranty

- Suitable for wet location under covered ceiling
- 1X module is IC rated; 2X and 5X modules are Non-IC rated
- **Current's Limited 5-year Warranty:** Please see website.



Ordering Information Module
Note: A complete Fixture consists of a **Light Module** and **Reflector**
LD **A** **V** **M** **9** **V1**

FAMILY	PART	NOMINAL LUMEN OUTPUT	CRI	CCT	DIMMING	OPTIONS
LD A V = Lumination Advantage Downlight	M = Light Engine Module Assembly	1X ³ 700/ 1050	9 90+ CRI	DW Selectable 2700K/3000K/ 3500K /4000K/5000K	V1 0-10V to 1% Dim to Off	Standard without battery backup compatibility EL ⁴ Emergency Battery Backup Ready
		2X ³ 1900/ 2300 /2700				
		5X ^{1,2} 4000/ 4500 /5500				
				27 2700K		
				30 3000K		
				35 3500K		
				40 4000K		
				50 5000K		

Bold indicates default settings

Ordering Information Reflector
RL **DA** **V**

FAMILY	APERTURE/ SHAPE	REFLECTOR FINISH	REFLECTOR COLOR	FLANGE COLOR
RL DA V = Lumination Advantage Downlight Reflector	R4 4" Round	DF Diffused	Standard Clear	Standard Diffuse/Clear
	R6 6" Round			
	R8 8" Round	PT ⁵ Painted	WT ⁶ Matte White	WT ⁷ Matte White Flange
	S4 4" Square			
	S6 6" Square			
	S8 8" Square			

Ordering Notes:

- 5X is not compatible with 4" Round or Square.
- 5X is not available with Selectable CCT (DW).
- Only available with Selectable CCT (DW).
- Must order EMBB accessory kit with EL option (see accessory section).
- PT requires color selection.
- WT Reflector color not available with diffuse.
- WT Flange color required for WT reflector color.

CCT Scaling Table

MODULE	COLOR TEMP MULTIPLIER				
	2700K	3000K	3500K	4000K	5000K
1X/2X	0.96	1.00	1.04	1.09	1.14
5X	0.94	1.00	1.06	1.04	1.07

Lumen Data

Based on 3000K, 90 CRI, Diffuse reflector finish at the "W" Wide (75° nominal) | Beam Angle Setting

MODEL	BEAM ANGLE (SC) SETTING		MODULE	LUMEN SETTING	LUMEN	WATT	EFF (LM/W)
	"N"	"W"					
	4" Round Downlight	58° (0.9)					
Med			1184	13.9 W	85		
High			1987	23.5 W	85		
2X			Med	2621	31.0 W	85	
			High	3060	36.2 W	85	
			Low	785	9.3 W	84	
6" Round Downlight	56° (0.8)	74° (1.0)	1X	Med	1174	13.9 W	84
				Low	2014	23.5 W	86
				High	3103	36.2 W	86
			2X	Med	2657	31.0 W	86
				High	3103	36.2 W	86
				Low	3666	35.6 W	103
			5X	Med	4603	44.7 W	103
				High	5860	56.9 W	103
				1X	Low	785	9.3 W
Med	1174	13.9 W			84		
Low	1937	23.5 W			82		
8" Round Downlight	54° (0.8)	66° (0.9)		2X	Med	2555	31.0 W
			High		2983	36.2 W	82
			Low		3676	35.6 W	103
			5X	Med	4616	44.7 W	103
				High	5876	56.9 W	103

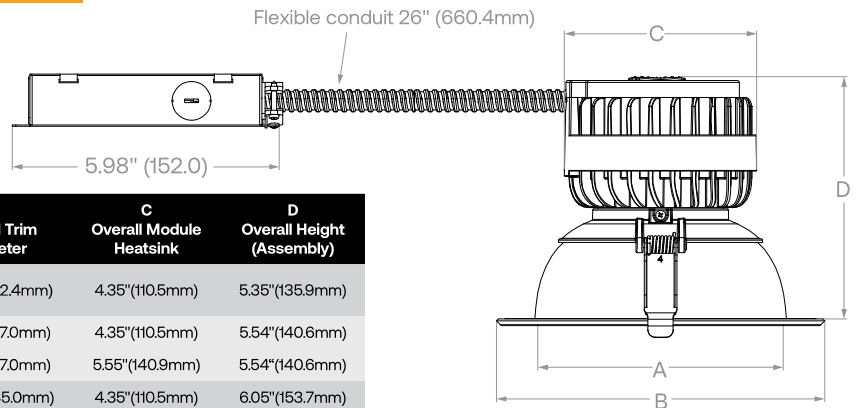
MODEL	BEAM ANGLE (SC) SETTING		MODULE	LUMEN SETTING	LUMEN	WATT	EFF (LM/W)
	"N"	"W"					
	4" Square Downlight	55° (0.8)					
Med			1114	13.9 W	80		
Low			1818	23.5 W	77		
2X			Med	2398	31.0 W	77	
			High	2800	36.2 W	77	
			Low	819	9.3 W	88	
6" Square Downlight	54° (0.8)	70° (1.0)	1X	Med	1224	13.9 W	88
				Low	1983	23.5 W	84
				High	3054	36.2 W	84
			2X	Med	2615	31.0 W	84
				High	3054	36.2 W	84
				Low	3599	35.6 W	101
			5X	Med	4518	44.7 W	101
				High	5752	56.9 W	101
				1X	Low	819	9.3 W
Med	1224	13.9 W			88		
Low	1992	23.5 W			85		
8" Square Downlight	55° (0.8)	72° (1.0)		2X	Med	2628	31.0 W
			High		3069	36.2 W	85
			Low		3614	35.6 W	102
			5X	Med	4538	44.7 W	102
				High	5777	56.9 W	102

Accessories

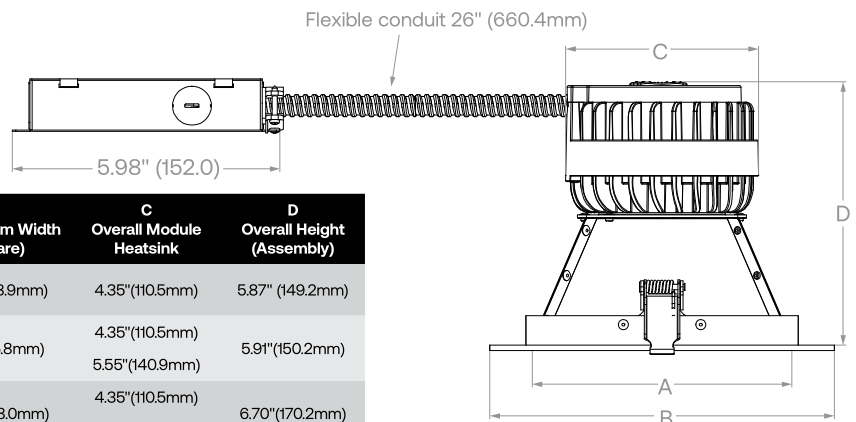
CATALOG STRING	PRODUCT DESCRIPTION	NOTES
FRAME KITS		
FRAME4R-HB	Frame Kit, New Construction, 4" Round	Includes Bar Hangers
FRAME6R-HB	Frame Kit, New Construction, 6" Round	Includes Bar Hangers
FRAME4S-HB	Frame Kit, New Construction, 4" Square	Includes Bar Hangers
FRAME6S-HB	Frame Kit, New Construction, 6" Square	Includes Bar Hangers
FRAME8-HB	Frame Kit, New Construction, 8" Round	Includes Bar Hangers
J-BOX		
J-BOX	Snap -In Junction Box Assembly	For optional use with FRAME KITS listed above. (Ships separately.)
EMERGENCY BATTERY BACKUP KITS		
LDEMBKIT	Emergency Battery Backup Kit, Remote Mount	J-BOX is already included as an integral part of this kit.

Product Dimensions
Round

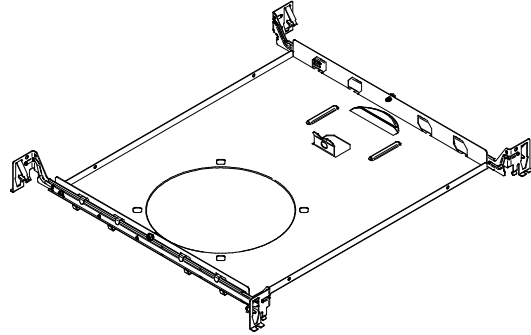
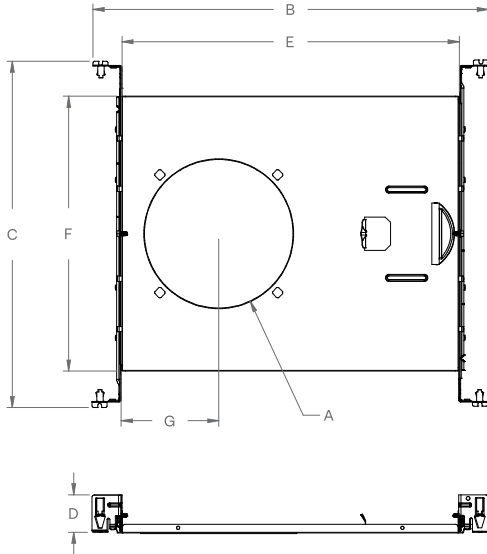
Nominal Aperture	Ceiling Cutout Min.-Max.	Module Lumen Package	A Aperture Diameter	B Overall Trim Diameter	C Overall Module Heatsink	D Overall Height (Assembly)
4"	ø4.72"-5.46" (ø119.9-138.7mm)	1X-2X	ø4.15"(105.4mm)	ø6.00"(152.4mm)	4.35"(110.5mm)	5.35"(135.9mm)
6"	ø6.30"-7.10" (ø160.0-180.3mm)	1X-2X	ø5.65"(143.6mm)	ø7.36"(187.0mm)	4.35"(110.5mm)	5.54"(140.6mm)
		5X	ø5.65"(143.6mm)	ø7.36"(187.0mm)	5.55"(140.9mm)	5.54"(140.6mm)
8"	ø7.87"-8.74" (ø199.9-222.0mm)	1X-2X	ø7.60"(193.0mm)	ø9.25"(235.0mm)	4.35"(110.5mm)	6.05"(153.7mm)
		5X	ø7.60"(193.0mm)	ø9.25"(235.0mm)	5.55"(140.9mm)	6.05"(153.7mm)


Square

Nominal Aperture	Ceiling Cutout Min.-Max. (Square)	Module Lumen Package	A Aperture Width (Square)	B Overall Trim Width (Square)	C Overall Module Heatsink	D Overall Height (Assembly)
4"	4.50"-5.00" (114.3-127.0mm)	1X-2X	3.58"(90.9mm)	5.86"(148.9mm)	4.35"(110.5mm)	5.87"(149.2mm)
6"	6.40"-7.00" (162.6-177.8mm)	1X-2X	5.43"(137.8mm)	7.71"(195.8mm)	4.35"(110.5mm)	5.91"(150.2mm)
		5X	5.43"(137.8mm)	7.71"(195.8mm)	5.55"(140.9mm)	5.91"(150.2mm)
8"	8.00"-9.00" (203.2-228.6mm)	1X-2X	7.09"(180.0mm)	9.37"(238.0mm)	4.35"(110.5mm)	6.70"(170.2mm)
		5X	7.09"(180.0mm)	9.37"(238.0mm)	5.55"(140.9mm)	6.70"(170.2mm)

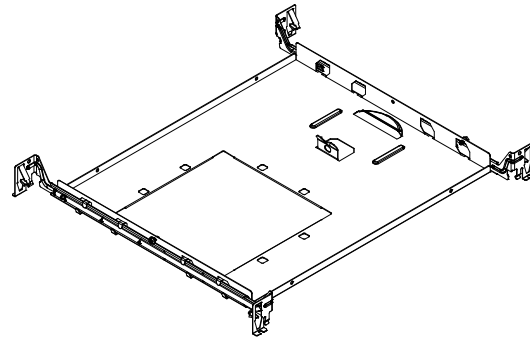
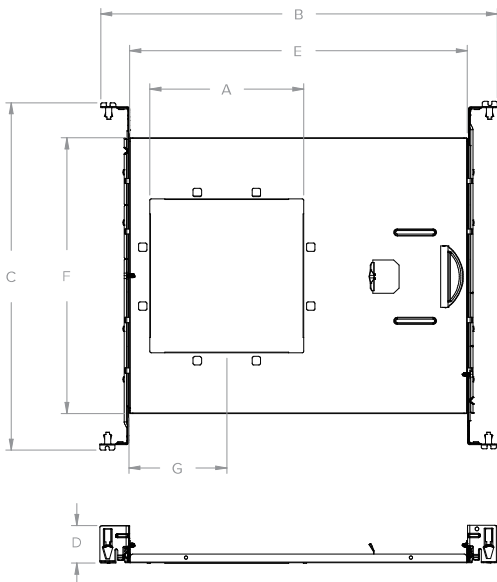


4" and 6" Round

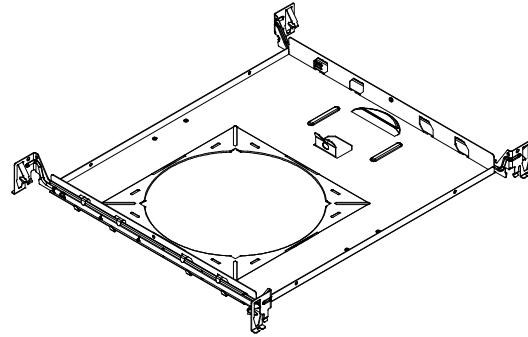
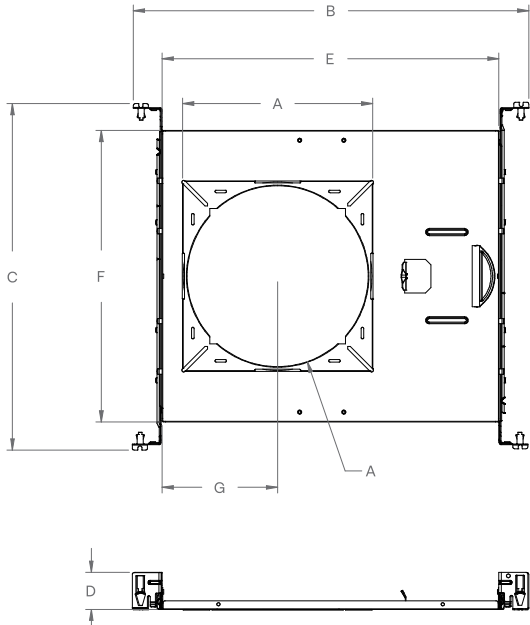


CATALOG NUMBER	"A" APERTURE OPENING	"B" OVERALL LENGTH	"C" OVERALL WIDTH	"D" HEIGHT	"E" PAN LENGTH	"F" PAN WIDTH	"G" APERTURE CENTER
FRAME4R-HB	Ø 4.94" (125.5mm)	17.65" (448.3mm)	14.57" (370.1mm)	1.68" (42.7mm)	15.03" (381.8mm)	12.28" (311.9mm)	4.32" (109.7mm)
FRAME6R-HB	Ø 6.64" (168.7mm)						

4" and 6" Square



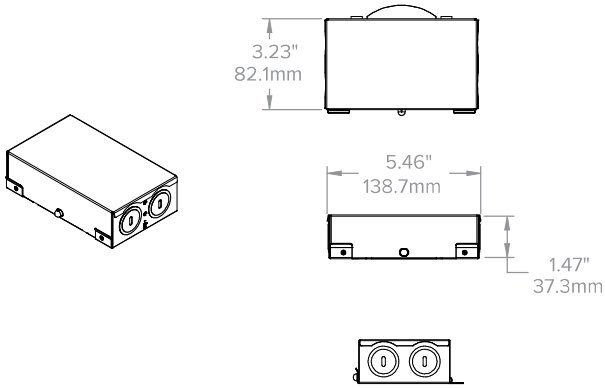
CATALOG NUMBER	"A" APERTURE OPENING	"B" OVERALL LENGTH	"C" OVERALL WIDTH	"D" HEIGHT	"E" PAN LENGTH	"F" PAN WIDTH	"G" APERTURE CENTER
FRAME4S-HB	4.83" (122.7mm) SQ.	17.65" (448.3mm)	14.57" (370.1mm)	1.68" (42.7mm)	15.03" (381.8mm)	12.28" (311.9mm)	4.32" (109.7mm)
FRAME6S-HB	6.83" (173.5mm) SQ.						

8" Round/Square


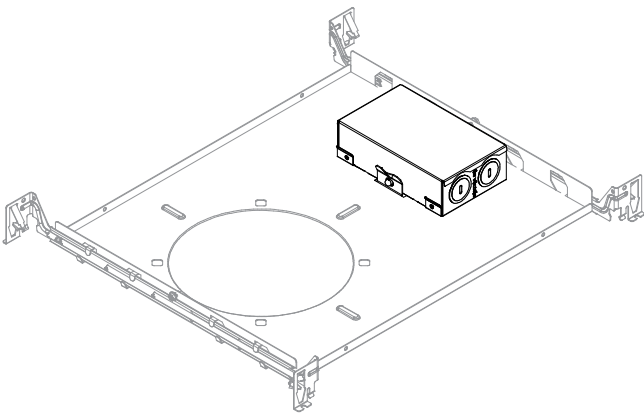
Note:
 The 8" Frame ships ready to accept round aperture trims but can be converted in the field for square aperture by snipping corners and bending at breakaway score lines.

CATALOG NUMBER	"A" APERTURE OPENING	"B" OVERALL LENGTH	"C" OVERALL WIDTH	"D" HEIGHT	"E" PAN LENGTH	"F" PAN WIDTH	"G" APERTURE CENTER
FRAME8-HB	Ø 8.07" (205mm) 8.46" (214.9mm) SQ.	17.65" (448.3mm)	14.57" (370.1mm)	1.68" (42.7mm)	15.03" (381.8mm)	12.99" (329.9mm)	5.14" (130.6mm)

Snap-In Junction Box Accessory

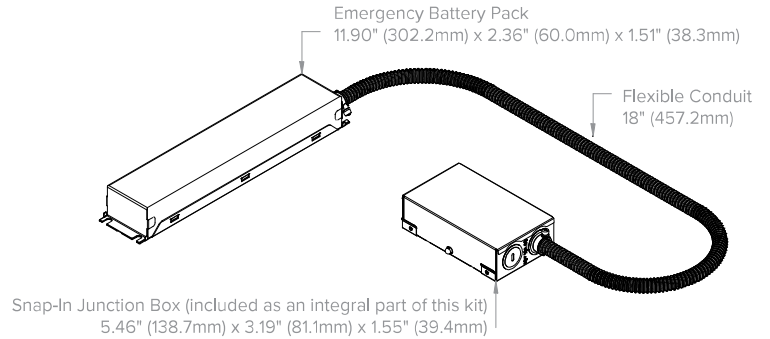


Snap-In Junction Box Accessory (J-BOX)
Optional if needed or required per local code

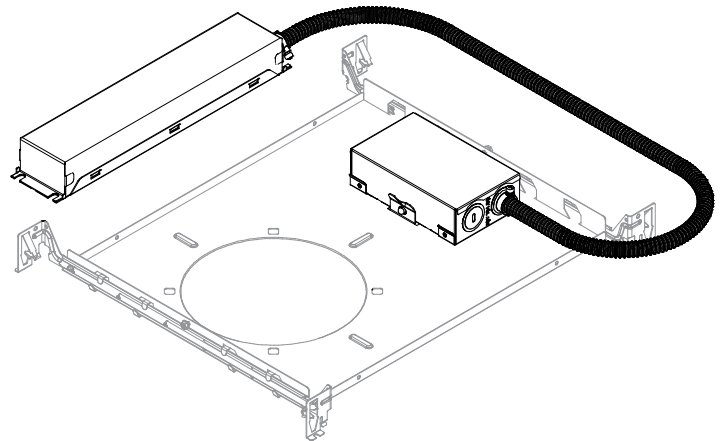


Frame and Junction Box Example
FRAME6R-HB and J-BOX
(ordered separately)

Emergency Battery Backup Kit Accessory



Emergency Battery Backup Accessory Kit (LDEMBBKIT)



Emergency Battery Backup and Frame Example
FRAME6R-HB and LDEMBBKIT
(ordered separately)

Photometric Data
4" Round, Diffuse Reflector

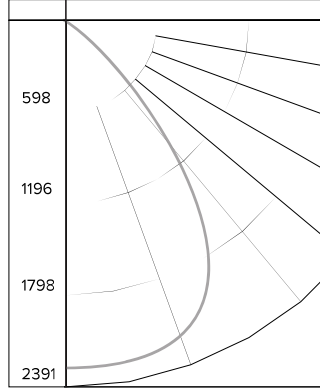
LDVM2X9DWW1_RLDAVR4DF

Settings: High Lumen, 3000K, 75° Beam "W"

 Delivered Lumens: 2813
 Watts: 35.9
 Efficacy: 78 lm/W
 Beam Angle: 71°
 Spacing Criterion: 1.10
 UGR: 14.2

ZONAL LUMEN SUMMARY

Zone	Lumens	% Luminaire
0-40	2523	89.7
0-60	2781	98.9
0-90	2813	100
0-180	2813	100


CANDELA DISTRIBUTION

Degree	Candela
0	2388
5	2370
15	2283
25	1944
35	1236
45	215
55	59
65	22
75	8
85	1

LUMINANCE DATA*

Vertical Angle	Average
45°	35027
55°	11935
65°	6052
75°	3483
85°	1909

*Candela/Square Meter

6" Round, Diffuse Reflector

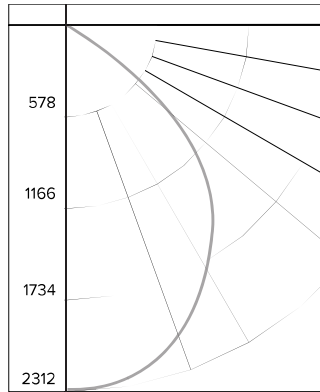
LDVM2X9DWW1_RLDAVR6DF

Settings: High Lumen, 3000K, 75° Beam "W"

 Delivered Lumens: 3008
 Watts: 35.9
 Efficacy: 84 lm/W
 Beam Angle: 76°
 Spacing Criterion: 1.06
 UGR: 11.8

ZONAL LUMEN SUMMARY

Zone	Lumens	% Luminaire
0-40	2402	79.9
0-60	2981	99.1
0-90	3007	100
0-180	3007	100


CANDELA DISTRIBUTION

Degree	Candela
0	2310
5	2271
15	2085
25	1766
35	1343
45	769
55	61
65	17
75	7
85	1

LUMINANCE DATA*

Vertical Angle	Average
45°	35027
55°	11935
65°	6052
75°	3483
85°	1909

*Candela/Square Meter

8" Round, Diffuse Reflector

LDVM2X9DWW1_RLDAVR8DF

Settings: High Lumen, 3000K, 75° Beam "W"

 Delivered Lumens: 2945
 Watts: 35.6
 Efficacy: 83 lm/W
 Beam Angle: 68°
 Spacing Criterion: 0.94
 UGR: 3.8

ZONAL LUMEN SUMMARY

Zone	Lumens	% Luminaire
0-40	2307	78.3
0-60	2935	99.6
0-90	2945	100
0-180	2945	100


CANDELA DISTRIBUTION

Degree	Candela
0	2477
5	2400
15	2081
25	1669
35	1204
45	734
55	38
65	6
75	3
85	1

LUMINANCE DATA*

Vertical Angle	Average
45°	36603
55°	2345
65°	528
75°	368
85°	304

*Candela/Square Meter

Photometric Data (continued)
4" Square, Diffuse Reflector

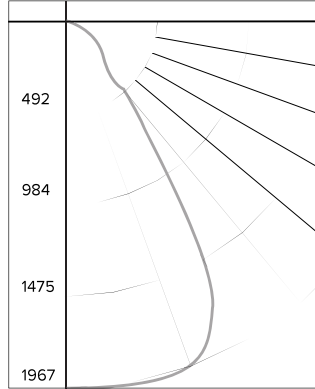
LDAVM2X9DWWV1_RLDAVS4DF

Settings: High Lumen, 3000K, 75° Beam "W"

 Delivered Lumens: 2484
 Watts: 35.7
 Efficacy: 70 lm/W
 Beam Angle: 62°
 Spacing Criterion: 1.06
 UGR: 23.9

ZONAL LUMEN SUMMARY

Zone	Lumens	% Luminaire
0-40	2047	82.4
0-60	2375	95.6
0-90	2484	100
0-180	2484	100


CANDELA DISTRIBUTION

Degree	Candela
0	1953
5	1936
15	1932
25	1670
35	574
45	275
55	192
65	84
75	30
85	6

LUMINANCE DATA*

Vertical Angle	Average
45°	48001
55°	41338
65°	24599
75°	14362
85°	7831

*Candela/Square Meter

6" Square, Diffuse Reflector

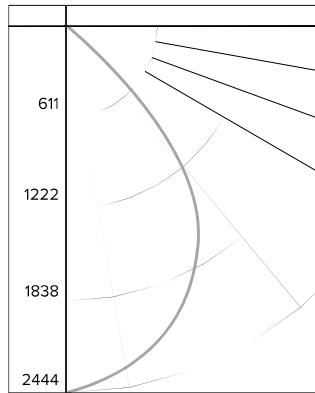
LDAVM2X9DWWV1_RLDAVS6DF

Settings: High Lumen, 3000K, 75° Beam "W"

 Delivered Lumens: 2830
 Watts: 35.5
 Efficacy: 80 lm/W
 Beam Angle: 70°
 Spacing Criterion: 1.00
 UGR: 10.5

ZONAL LUMEN SUMMARY

Zone	Lumens	% Luminaire
0-40	2384	84.2
0-60	2804	99.1
0-90	2830	100
0-180	2830	100


CANDELA DISTRIBUTION

Degree	Candela
0	2444
5	2386
15	2155
25	1778
35	1234
45	209
55	36
65	16
75	6
85	2

LUMINANCE DATA*

Vertical Angle	Average
45°	51496
55°	3241
65°	1806
75°	1230
85°	1020

*Candela/Square Meter

6" Square, Diffuse Reflector

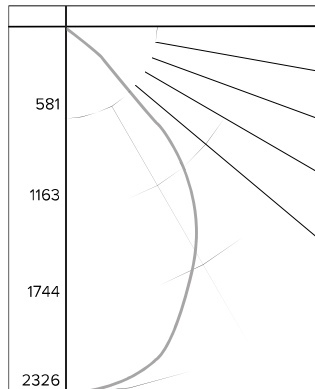
LDAVM2X9DWWV1_RLDAVS8DF

Settings: High Lumen, 3000K, 75° Beam "W"

 Delivered Lumens: 2831
 Watts: 35.5
 Efficacy: 80 lm/W
 Beam Angle: 72°
 Spacing Criterion: 1.02
 UGR: 6.4

ZONAL LUMEN SUMMARY

Zone	Lumens	% Luminaire
0-40	2354	83.2
0-60	2813	99.4
0-90	2831	100
0-180	2831	100


CANDELA DISTRIBUTION

Degree	Candela
0	2325
5	2285
15	2126
25	1703
35	1207
45	220
55	25
65	11
75	4
85	2

LUMINANCE DATA*

Vertical Angle	Average
45°	29888
55°	1335
65°	675
75°	447
85°	418

*Candela/Square Meter

Dimmer Compatibility List

Important Notice

Because dimming equipment, applications, and conditions of use are many, varied, and beyond Current's control, this information necessarily is based on limited samples sizes and testing. This list only included dimmers that have been tested with the Current's luminaires listed. There may be other dimmers on the market that are compatible with these Current's luminaires. If you have a question about a particular dimmer that is not on the list, please contact Current to see if the model has been tested, or to arrange testing.

1. Adjust the dimmer to the lowest setting.
2. Locate the trim adjustment and set to the lowest light level where the light output is stable.
3. Turn fixture off and on to ensure proper operation. If it is not operating as expected, adjust the trim up slightly and retest.

Recommended Dimmers

DIMMER TYPE	DIMMER MANUFACTURER	DIMMER SERIES/MODELS	TESTED MODEL
0-10V	Current	–	PSD0108-UNV
	Current	–	RSD710
	Lutron	Diva®	DVSTV
	Lutron	Diva®	DVTV
	Leviton	IllumaTech	IP710
	Synergy	ISD	ISD-BC-120/277
	Enerlites	–	51300L