



AmbiStar

AMBISTAR REB2P32N35M

Ambistar electronic ballasts are an easy-to-install, energy-efficient replacement solution for optimizing residential and hospitality lighting.

Product data

• General Information

Lamp Type	F32T8
Number Of Lamps	1/2 piece/unit
Ballast Type	Electronic Fluorescent
Base Model	REB2P32N
Suitable For Outdoor Use	Yes
Automatic Restart	Yes

• Operating and Electrical

Input Voltage	120 V
Input Frequency	60 Hz
Total Harmonic Distortion USA	150 %
Ignition Method	Instant Start
Crestfactor (Nom)	1.7
Ignition Time (Nom)	0.1 s
Ballast Factor (Nom)	0.85
Power Factor (Nom)	0.56
Input Current (Nom)	0.85 A
Input Power (Nom)	57 W
Rated Lamp Power	32W W

• Wiring

Color Input Terminals	No terminals
Color Output Terminals	No terminals
Wire Striplength	0.50/0.375 mm
Lamp Connection	Parallel
Wire Length By Color	See data sheet
Wire Gauge (Nom)	18AWG mm
Wire Type	Solid

Remote Wiring Configuration Allowed	Yes
Tandem Wiring Configuration Allowed	Yes
Through Wiring Configuration Allowed	Yes
Max Ballast-Lamp Distance Remote Wiring	20'
Max Ballast-Lamp Distance Tandem Wiring	Any = 20'
Max Ballast-Lamp Distance Through Wiring	Any = 20'
Connector Type	No connector

• Temperature

T-Case Maximum (Nom)	70 °C
----------------------	-------

• Mechanical and Housing

Housing Material	Metal
Housing	N
Housing Dimensions	9.5" x 1.3" x 1.0"

• Approval and Application

Emc Immunity Standard	FCC Consumer
Hum And Noise Level	A

PHILIPS

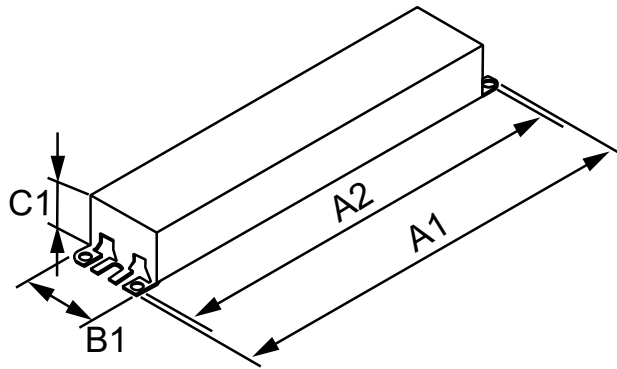
UL Recognized No

• Product Data

Order product name AMBISTAR REB2P32N35M
 EAN/UPC - Product 781087073612
 Order code 913710850402

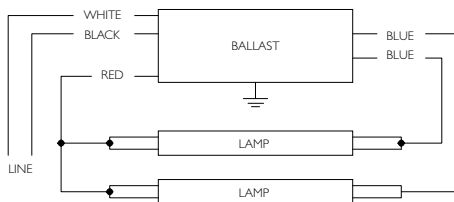
Numerator - Quantity Per Pack 1
 Numerator - Packs per outer box 30
 Material Nr. (12NC) 913710850402
 Net Weight (Piece) 0.357 kg

Dimensional drawing



ELE BALLAST (2) F32T8 120V

Product	A1	A2	B1	C1
AMBISTAR REB2P32N35M	9.5 in	8.9 in	1.3 in	1.0 in



For single lamp operation, insulate unused blue lead for 600V



© 2016 Koninklijke Philips N.V. (Royal Philips)
 All rights reserved.

Specifications are subject to change without notice. Trademarks are the property of Koninklijke Philips N.V. (Royal Philips) or their respective owners.

www.philips.com/lighting

2016, January 30
 data subject to change