



(Images are shown for illustration purposes only)

Project:

Product #:

Type:

KEY FEATURES

- Long lasting, full steel pole equipped to accommodate fixtures and their installation.
- Available in 15', 20', 25', and 30' lengths.
- Pre-drilled holes for easy installation.
- 2-piece ABS plastic base cover, rivets are included to secure pieces.
- 1 vendor for poles and fixtures, making for simple shipping and fast customer service experience.

SPECIFICATIONS

Pole Shaft

Hot rolled commercial quality welded steel tubing, 1 piece fabrication with minimum yield strength of 42,000 PSI.

Mounting

Pre-drilled for 4 fixtures at 90° (Square Pole) and 2 fixtures at 180° (Round Pole). Includes plugs.

Finish

Dark Bronze.

Handhole

3" wide x 5" tall (Square), 2 1/2" wide x 5" tall (Round), 12" from the base.

Special Base Plate

2-piece ABS plastic base cover, rivets are included to secure pieces.

Anchor Bolts

Set of 4 steel anchor bolts (075"/1" x 17"/30"/36" x 3"), includes nuts and washers.

ORDERING GUIDE (SQUARE)

NOTE: Each pole requires anchor bolts, a base, and a top.

Example: SSSP 25 400 11 X BZ

Pole Type	Pole Height	Width	Gauge	Mount	Finish	Anchor Bolts	Pole Base	Pole Top Cap
• SSSP Steel Straight SQUARE Pole	• 15 15 Feet • 20 20 Feet	• 400 4" x 4"	• 11 11 Gauge	• X Pre-drilled for 4 fixtures at 90°	• BZ Dark Bronze	• PAB-3/4x17X3-PP Anchor Bolts, 1 set with 4pcs 3/4" x 17" x 3" with Positioning plate.	• PBCS-400-BZ Pole Base Cover Square, 4" x 4", Dark Bronze.	• PTCS-400-BZ Pole Top Cap Square, 4" x 4", Dark Bronze.
	• 25 25 Feet							
	• 30 30 Feet	• 500 5" x 5"	• 7 7 Gauge					
						• PAB-1x36x43-PP Anchor Bolts, 1 set with 4pcs 1" x 36" x 4" with Positioning plate.		

ORDERING GUIDE (ROUND)

NOTE: Each pole requires anchor bolts, a base, and a top.

Example: SRSP 25 400 11 B BZ

Pole Type	Pole Height	Diameter	Gauge	Mount	Finish	Anchor Bolts	Pole Base	Pole Top Cap
• SRSP Steel Straight ROUND Pole	• 15 15 Feet • 20 20 Feet • 25 25 Feet	• 400 4" Diameter	• 11 11 Gauge	• B Pre-drilled for 2 fixtures at 180°	• BZ Dark Bronze	• PAB-3/4x17X3-PP Anchor Bolts, 1 set with 4pcs 3/4" x 17" x 3" with Positioning plate.	• PBCR-400-BZ Pole Base Cover Round, 4" Diameter, Dark Bronze.	• PTCR-400-BZ Pole Top Cap Round, 4" Diameter, Dark Bronze.

Due to continuous product improvements, specification and/or equipment updates may change without notice.

TECHNICAL INFORMATION

Catalog Number	Finish	Height	Width/Diameter	Gauge	Mount	Base Width	Bolt Circle	Bolt Circle Range	Base Thickness	Weight
SSSP 15 400 11 X BZ	Dark Bronze	15'	4" x 4"	11	Drilled for 4 fixtures at 90°	10.5"	9.5"	8 - 11"	0.75"	138 lbs
SSSP 20 400 11 X BZ	Dark Bronze	20'	4" x 4"	11	Drilled for 4 fixtures at 90°	10.5"	9.5"	8 - 11"	0.75"	150 lbs
SSSP 25 400 11 X BZ	Dark Bronze	25'	4" x 4"	11	Drilled for 4 fixtures at 90°	10.5"	9.5"	8 - 11"	0.75"	176 lbs
SSSP 30 500 7 X BZ	Dark Bronze	30'	5" x 5"	7	Drilled for 4 fixtures at 90°	11"	11.3"	10.6 - 12"	1"	396 lbs
SRSP 15 400 11 B BZ	Dark Bronze	15'	4"	11	Drilled for 2 fixtures at 180°	10.5"	9.5"	8 - 11"	0.75"	99 lbs
SRSP 20 400 11 B BZ	Dark Bronze	20'	4"	11	Drilled for 2 fixtures at 180°	10.5"	9.5"	8 - 11"	0.75"	121 lbs
SRSP 25 400 11 B BZ	Dark Bronze	25'	4"	11	Drilled for 2 fixtures at 180°	10.5"	9.5"	8 - 11"	0.75"	145 lbs

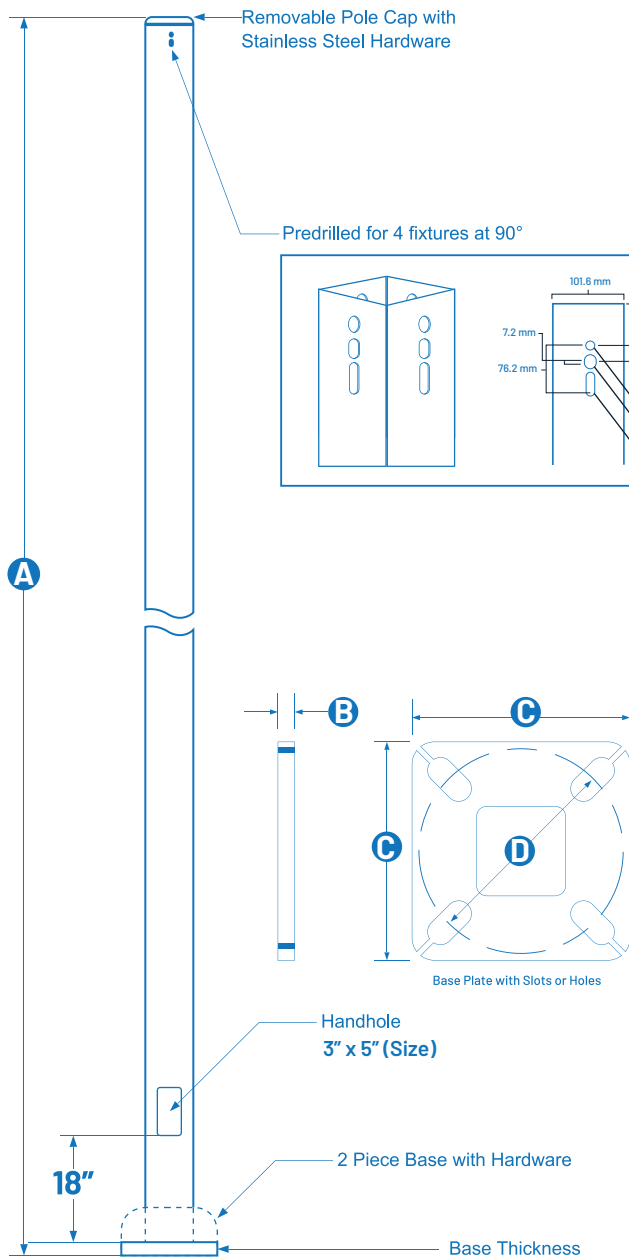
EPA RATING (WITH 1.3 GUST FACTOR)

Catalog Number	80 MPH	90 MPH	100 MPH	110 MPH	120 MPH	140 MPH
SSSP 15 400 11 X BZ	16.9 sq ft	12.5 sq ft	9.75 sq ft	7.75 sq ft	6.2 sq ft	1.5 sq ft
SSSP 20 400 11 X BZ	7.3 sq ft	6 sq ft	4.2 sq ft	3.9 sq ft	1.6 sq ft	N/A
SSSP 25 400 11 X BZ	6.9 sq ft	5.7 sq ft	4.1 sq ft	3.6 sq ft	1.4 sq ft	N/A
SSSP 30 500 7 X BZ	5.4 sq ft	4.1 sq ft	3.8 sq ft	2.8 sq ft	1.2 sq ft	N/A
SRSP 15 400 11 B BZ	14.6 sq ft	12.3 sq ft	10.9 sq ft	8.2 sq ft	6.4 sq ft	N/A
SRSP 20 400 11 B BZ	5.6 sq ft	3.9 sq ft	3.5 sq ft	2.4 sq ft	1.5 sq ft	1.1 sq ft
SRSP 25 400 11 B BZ	6.0 sq ft	7.9 sq ft	6.7 sq ft	5.3 sq ft	3.1 sq ft	N/A

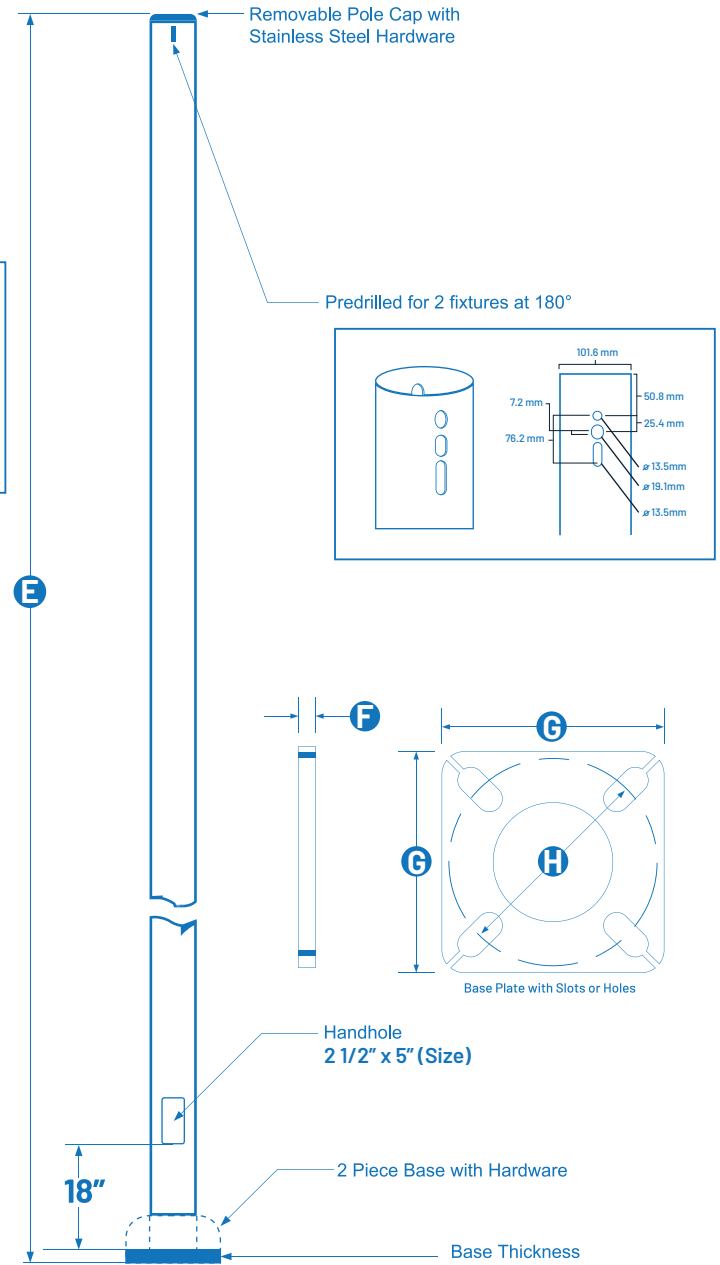
Due to continuous product improvements, specification and/or equipment updates may change without notice.

DIMENSIONS

SQUARE



ROUND



LEGEND (Square)

Pole	A (Height)	Diameter	Gauge	B (Base Height)	C (Base Width)	D (Bolt Circle)
SSSP 15 400	15'	4" x 4"	11	0.75"	10.5"	9.5"
SSSP 20 400	20'	4" x 4"	11	0.75"	10.5"	9.5"
SSSP 25 400	25'	4" x 4"	11	0.75"	10.5"	9.5"
SSSP 30 500	30'	5" x 5"	7	0.75"	11"	11.3"

LEGEND (Round)

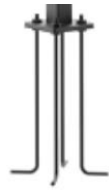
Pole	E (Height)	Diameter	Gauge	F (Base height)	G (Base Width)	H (Bolt Circle)
SRSP 15 400	15'	4"	11	0.75"	10.5"	9.5"
SRSP 20 400	20'	4"	11	0.75"	10.5"	9.5"
SRSP 25 400	25'	4"	11	0.75"	10.5"	9.5"

Due to continuous product improvements, specification and/or equipment updates may change without notice.

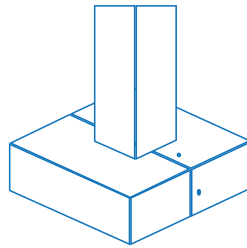
COMPONENTS (SQUARE)



PTCS-X00-BZ
Pole Top Cap



PAB-XxXxX-PP
Anchor Bolts, 1 set, 4 pcs in varying sizes for each pole length.

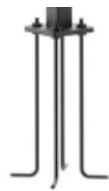


PBCS-X00-BZ
Pole Base cover, available in 4"x4" and 5" x 5", Dark Bronze.

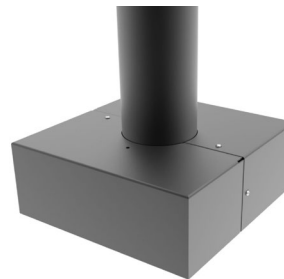
COMPONENTS (ROUND)



PTCR-X00-BZ
Pole Top Cap



PAB-XxXxX-PP
Anchor Bolts, 1 set, 4 pcs in varying sizes for each pole length.



PBCR-X00-BZ
Pole Base cover, available in 4"x4" and 5" x 5", Dark Bronze.

Due to continuous product improvements, specification and/or equipment updates may change without notice.