

Project	
Notes	
Type	Date
Cat. No.	

PSC-AC-PP-700C

AleoBlue Wireless Low Voltage Power Pack Relay

DESCRIPTION

aleoBlue Low Voltage Power Pack Relay, 120-277V input, 100mA max. load.

APPLICATIONS

Indoor: retail, education, hospitality, corporate, warehouse, self storage.



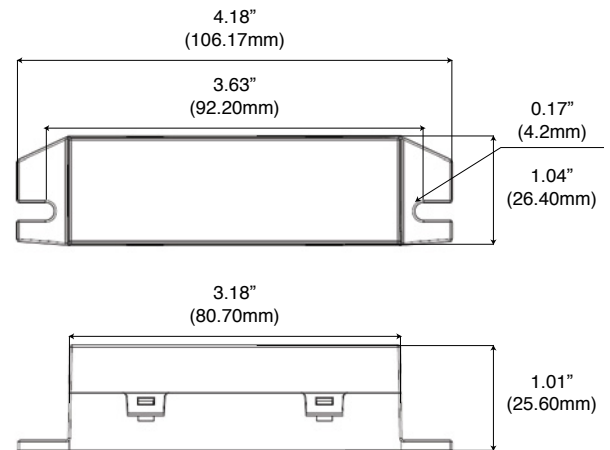
Performance Summary

Product Type	Low Voltage Power Pack
Input	120-277VAC, 50/60Hz
Output	12VDC, 0~100mA
Max Load	240VA @ 120VAC, 2A 554VA @ 277VAC, 2A E. Ballast, LED, CFL
Operating Temperature	-20° C to 70°C
Storage Temperature	-40° C to 85°C
Relative Humidity	10-95%
Color	Black

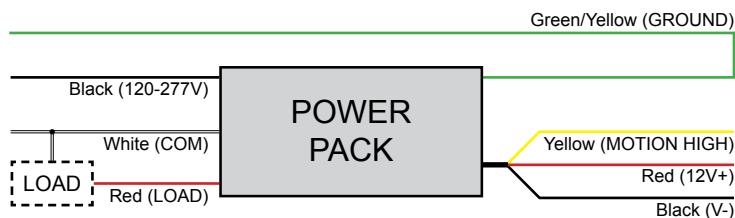
PSC-AC-PP-700C

aleoBlue Low Voltage Power Pack Relay, 120-277V input, 100mA max. load.

Product Dimensions



Wiring Diagram



Ordering Information

Example: PSC-AC-PP-700C

PSC-AC-PP-700C

Model No.

PSC-AC-PP-700C

aleoBlue Low Voltage Power Pack Relay, 120-277V input, 100mA max. load.