

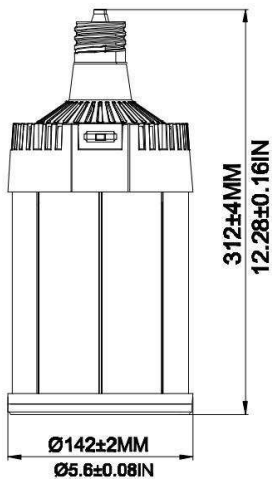


PLT-12954 - 135/200/270W,
3000/4000/5000K, E39 Base

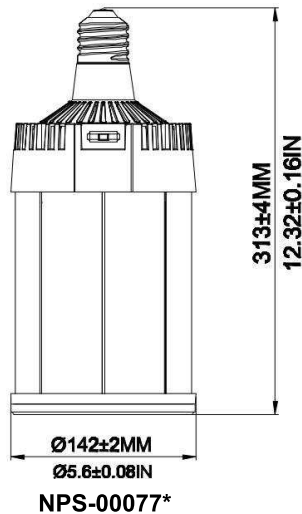
DLC 5.1 Standard - PLTSNB311432

DIMENSIONS

EX39



E39



*Special Order, call 1-800-624-4488

ADVANTAGE

- UL certificate.
- E39 EX39 lamp base.
- High CRI.
- Internal driver, input voltage 120-277VAC.
- Meet 6kV surge immunity level.
- Long lifespan and good heat dissipation ,With Sunon fan
- Two dimming options are available, continuous dimming or segmented dimmer
- Fits many different fixtures to replace traditional lamps.

NOTICE FOR USER

- Please turn off power before installation or maintenance.
- The input voltage of the fixture and lamps should match.
- nstallation, service, and maintenance of luminaires should be performed by a qualified licensed electrician.
- Suitable for damp locations. Do not use with dimmers.
- Make sure to remove or bypass the ballast in the fixture before installing the lamp.
- Suitable for use in enclosed luminaires, min.

APPLICATION

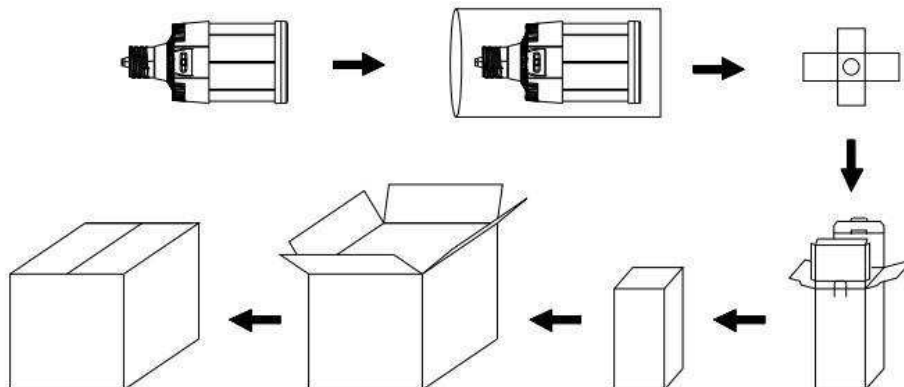
- Replacement Lamps for Outdoor
- Pole/Arm-mounted Decorative Luminaires(Type B)

OPTICAL	Input Power (Tolerance : ±10%)	270W (135W/200W/270W via switch)		
	Color Temperature (Color Tunable)	3000K	4000K	5000K
	Lumen (Tolerance : ±10%)	40000 LM	43000 LM	42500 LM
	Efficacy (Tolerance : ±3%)	148LM/W	162 LM/W	157 LM/W
	CRI	>80		
	Color Consistency	<7 Steps (or <7 SDCM)		
	Diffuser Type	Clear PC		
	Beam Angle (50%) (Tolerance : ±25%)	280 Degree		
ELECTRICAL	Input Voltage and Frequency	120-277VAC, 50/60Hz		
	PF (Tolerance : -3%)	≥0.9		
	THD (Tolerance : +5%)	≤20%		
	Flicker Percent	<30%		
	Driver Surge protection	L-N: 6kV		
	Dimmable	0-10V dimming standard (through manual knob on the lamp)		
	Equivalent	700W MHL/HPS/HID		
MATERIALS	LED Brand			
	LED Type	SMD2835		
	LED QTY	615 pcs of 3000K + 615 pcs of 5000K		
	Housing	PC + Aluminum		
	Housing Color	Any colors		
	Waterproof Rating	DAMP		
OTHERS	Operating Temperature	-40°C TO 50°C		
	Storage Temperature	-40°C TO 80°C		
	Operating Humidity	20% - 70% RH		
	Storage Humidity	10% - 75% RH		
	Warranty	5 years		

PACKAGE

	Carton Size	Qty / Carton	Net Weight / Carton	Gross Weight / Carton
Inner Carton	150*150*360 MM/5.9*5.9*14.2IN	1 PC	1.62KG/3.57lb	1.77 KG/3.57lb
Outer Carton	470*320*375 MM/18.5*12.6*14.8IN	6 PCS	9.72KG/21.43b	13.2KG/29.1lb

Tolerance of Outer Carton Size: ±5 MM/±0.59IN, Tolerance of Weight: ±10%.



LIGHT DISTRIBUTION TESTING PARAMETERS

Remark: The testing data comes directly from the product test.

Luminaire Property

Luminaire Manufacturer:

Voltage: 121.8 V

Power: 273.30 W

Current: 2.261 A

Power Factor: 0.992

Photometric Results

CIE Class: General Diffuse

Measurement Flux: 41961.1 lm

Downward Ratio: 51%

Horizontal Diffuse Angle(10%,50%): H332.3,H287

Vertical Diffuse Angle(10%,50%): V330.8,V286.3

Luminaire Efficacy Rating (LER): 153.58

Max. Intensity: 4759.73 cd

S/MH(C0/C180): 4.86

Total Rated Lamp Lumens: 41961.1 lm

Efficiency: 100%

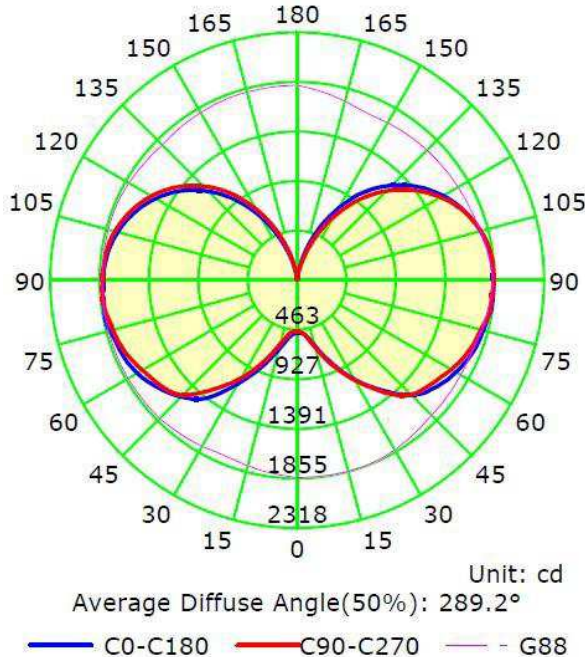
Upward Ratio: 49%

Central Intensity: 442.62 cd

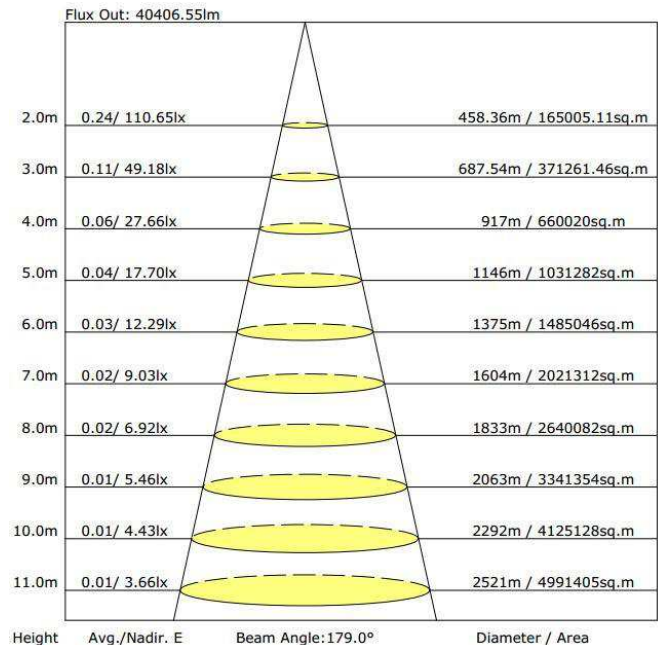
Pos of Max. Intensity: H337.5 V86

S/MH(C90/C270): 4.87

Luminous Intensity Distribution Curve



The Average Illuminance Effective Figure



TROUBLESHOOTING

Problem	Solution
Flickering light	Turn off the power, then turn on again after 3 minutes. If the light continues to flicker, call a licensed electrician.
Light is not coming on	Check the electrical connection.