

### ELECTRONIC HID BALLASTS

Case Material: Polycarbonate

Input	
Nominal Voltage	Universal 120V to 277V
Frequency	50/60Hz
Line Regulation	± 5% output variation over full input range
Power Factor	> 0.95
Total Harmonic Distortion	< 10%

Output	
Lamp Operating Frequency	165Hz Square Wave
Lamp Current C.F.	<1.3

Ordering Information	
Standard Case Quantity	50 Units
Unit Weight/Case Weight	0.54 lbs/29.5 lbs.

### ELECTRICAL SPECIFICATIONS

Watts	Hatch Part Number	Description	Lamp Types/ ANSI Codes	Voltage Range	Nominal Input Power	Input Current/ Input Voltage	Max. Remote Distance (ft)
70	MC70-1-F-UNNS	70 Watt Universal Micro Slim w/Feet and Leads out Opposite sides	M/C85, M/C98, M/C39, M/C143 Ceramic MH	Wide Range Input 108-305VAC	78 Watts	.65 Amps @ 120V .37 Amps @ 208V .32 Amps @ 240V .28 Amps @ 277V	25
	MC70-1-T-UNNS	70 Watt Universal Micro Slim Track w/Leads out Opposite Sides					
	MC70-1-F-UNNSL	70 Watt Universal Micro Slim w/Feet and Leads out One side					
	MC70-1-T-UNNSL *Not Shown	70 Watt Universal Micro Slim Track w/Leads out One Side					

#### PRODUCT FEATURES :

- Thermal protection
- Approved for recessed use
- Micro Processor Controlled
  - Safety Shut Down Features
  - Superior Hot Lamp Restrike Characteristic
- Low Voltage Lamp Shutdown
- Sound Rated: A
- Minimum Starting Temperature: -30°C
- Maximum Case Temperature: 80°C
- Complies with FCC Part 18 (Class B) Consumer limits
- Up to 5 Year Warranty
- Lamp end-of-life protected

- Transient Protection Meets ANSI/IEEE C62.41 Cat A
- Short Circuit Protection
- Open Circuit/No Lamp/ Hot Lamp Shutdown, Retry and Ignition Failure Protection:
  - Ignition failure shutdown in 5 seconds followed by multiple timed restrikes with lamp ignition or timed shutdown until power is reset (restrike timing is lamp wattage dependent)

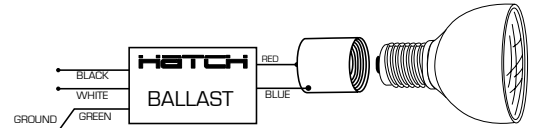
#### APPROVALS:



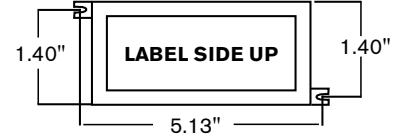
Type 1 Outdoor



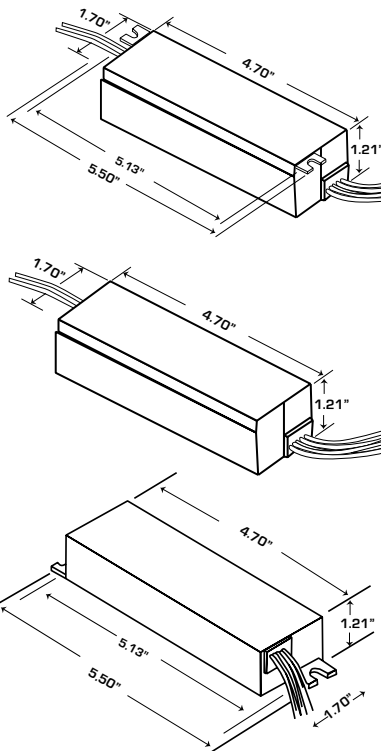
#### WIRING DIAGRAMS:



#### MOUNTING DIAGRAM:

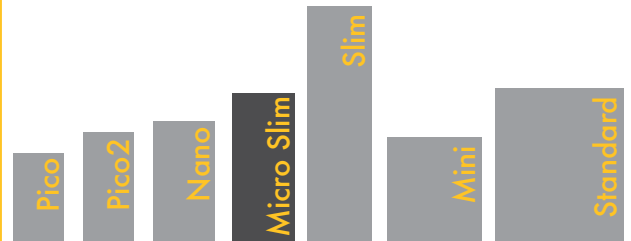


#### CASE DIMENSIONS & MECHANICAL SPECIFICATIONS:



CASE STYLE	MOUNTING
S - Micro Slim Leads out opposite side	F - With feet
<b>Wiring Information</b>	
Lead Length :	Input: 10", Output : 8"
Wire Type :	Input: 18AWG, 105°C, 600V
<b>Operating Temperatures</b>	
Minimum Starting Temperature :	-30°C
Maximum Case Temperature :	80°C
CASE STYLE	MOUNTING
S - Micro Slim Leads out opposite side	T - Track mount w/o feet
<b>Wiring Information</b>	
Lead Length :	Input: 10", Output : 8"
Wire Type :	Input: 18AWG, 105°C, 600V
<b>Operating Temperatures</b>	
Minimum Starting Temperature :	-30°C
Maximum Case Temperature :	80°C
CASE STYLE	MOUNTING
SL - Micro Slim Leads out one side	F - With feet
<b>Wiring Information</b>	
Lead Length :	Input/Output : 8"
Wire Type :	Input: 18AWG, 105°C, 600V
<b>Operating Temperatures</b>	
Minimum Starting Temperature :	-30°C
Maximum Case Temperature :	80°C

#### CASE STYLE SIZE CHART:



Each case style listed in the Size Chart represents a side lead model with no mounting feet. All HATCH E-HID Ballasts are available in several mounting and wiring configurations, each with slightly different dimensions from those listed in the chart.

