

AC SERIES

Input: 120VAC

Specification Sheet

AC-SERIES is also available in:
AC-SERIES 277VAC
 Please refer to Magnitudeinc.com
 for more information.

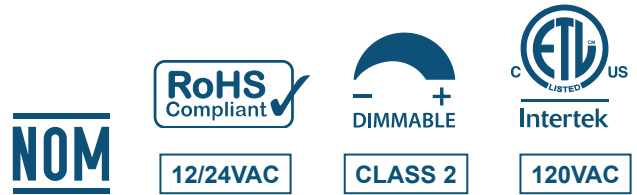
Constant Voltage Magnetic AC Transformer

Phase Dimmable 12/24VAC

The **AC-SERIES** is the most compact magnetic core dimmable transformer on the market, making it the perfect choice for landscape and other indoor or outdoor lighting applications. Encased in a high-quality metal enclosure that includes multiple 7/8" knockouts for easy installation, each unit is equipped with circuit breakers to protect both the driver and the load. All of our magnetic transformers are phase dimmable with a standard leading edge MLV TRIAC dimmer.



- Installation:** Integrated junction box with multiple 7/8" knockouts
- Driver Types:** Class 2 and higher power single-tap options
- Dimming:** Phase dimmable with leading (forward) edge MLV TRIAC dimmer only
- Input Voltage:** 120VAC 50/60Hz
- Output Voltage:** 12VAC or 24VAC
- Environmental:** Dry and damp
- Listing:** ETL Listed
- Certifications:** Conforms to UL8750, C22.2 NO. 223
- Warranty:** 5-Year



ORDERING GUIDE — Auto Reset Breakers

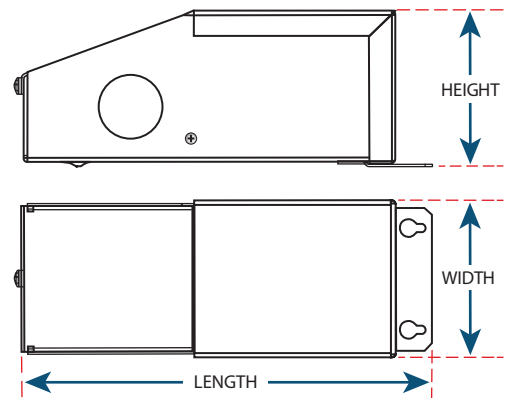
Type	Max Power	Listing	Output	Safety
M — Magnetic	20 ¹ — 20W (Class 2) 40 ¹ — 40W (Class 2) 60 ¹ — 60W (Class 2) 96 ^{1,2} — 96W (Class 2) 100 ³ — 100W (Non-Class 2)	L — ETL Listed	12 — 12VAC 24 — 24VAC	AR — Auto Reset

¹Class 2
²24VAC Only
³12VAC Only

ORDERING GUIDE — Manual Reset Breakers

Type	Max Power*	Output
M — Magnetic	100 — 100W 150 — 150W 200 — 200W 300 — 300W	SOD — 12VAC
M — Magnetic	100 — 100W 150 — 150W 200 — 200W 300 — 300W 500 — 500W	S24OD — 24VAC

*Up to 1200W available.
 (Contact factory for more information.)



	20W/40W	60W/96W	100W/150W/200W	300W	500W
LENGTH	5.60" (142.2mm)	6.55" (166.37mm)	9.80" (248.9mm)	9.80" (248.9mm)	10.50" (266.7mm)
WIDTH	2.10" (53.34mm)	2.55" (64.77mm)	3.00" (76.2mm)	4.20" (106.7mm)	4.62" (120.2mm)
HEIGHT	2.10" (53.34mm)	2.55" (64.77mm)	3.00" (76.2mm)	3.50" (88.9mm)	4.26" (108.2mm)

AC SERIES

Input: 120VAC

Specification Sheet

SPECS

INPUT	20W	40W	60W	96W
Input Voltage Range	120VAC ± 10%	120VAC ± 10%	120VAC ± 10%	120VAC ± 10%
Input Frequency	50/60Hz	50/60Hz	50/60Hz	50/60Hz
Input Current	0.195A (12VAC) 0.195A (24VAC)	0.36A (12VAC) 0.195A (24VAC)	0.54A (12VAC) 0.54A (24VAC)	--- 0.54A
Efficiency	> 89.8% (12VAC) > 88.6% (24VAC)	90.3% (12VAC) 88.6% (24VAC)	> 89.2% (12VAC) > 90.5% (24VAC)	--- > 91.2%
OUTPUT				
Max Load	20W	40W	60W	96W
Output Voltage @ Max Load	11.4 VAC 23.0 VAC	11.4 VAC 23.0 VAC	11.5 VAC 23.0 VAC	--- 23.0 VAC
Output Current @ Max Load	1.65A (12VAC) 0.85A (24VAC)	3.32A (12VAC) 0.85A (24VAC)	4.80A (12VAC) 2.17A (24VAC)	--- 4.30A
Open Circuit Output Voltage	12.5 VAC 25.0 VAC	12.5 VAC 25.0 VAC	12.5 VAC 25.0 VAC	--- 25.0 VAC
ENVIRONMENTAL				
Operating Temperature	-30°C to +45°C (-22°F to 113°F)	-30°C to +45°C (-22°F to 113°F)	-30°C to +45°C (-22°F to 113°F)	-30°C to +45°C (-22°F to 113°F)
Min. Installation Spacing	5"	5"	5"	5"
Thermal Class	B130°C	B130°C	B130°C	B130°C
DIMMING				
Minimum Dimming Level	1%	1%	1%	1%
PROTECTION				
Circuit Breaker (Primary & Secondary)	Auto-Reset	Auto-Reset	Auto-Reset	Auto-Reset
MECHANICAL HOUSING				
Primary Leads	18 AWG	18 AWG	18 AWG	18 AWG
Secondary Leads	16 AWG (12VAC) 18 AWG (24VAC)	16 AWG (12VAC) 18 AWG (24VAC)	14 AWG (12VAC) 16 AWG (24VAC)	14 AWG ---
Length	5.60" (142.2mm)	5.60" (142.2mm)	6.55" (166.37mm)	6.55" (166.37mm)
Width	2.00" (50.8mm)	2.00" (50.8mm)	2.55" (64.77mm)	2.55" (64.77mm)
Height	2.14" (54.3mm)	2.14" (54.3mm)	2.55" (64.77mm)	2.55" (64.77mm)
Weight	2 lbs.	2 lbs.	3 lbs.	7 lbs.
Housing Material	Coated Metal	Coated Metal	Coated Metal	Coated Metal
Housing Color	Black	Black	Black	Black
Junction Box	Yes	Yes	Yes	Yes
Mounting	Two-hole flange	Two-hole flange	Two-hole flange	Two-hole flange
APPROVAL MARKINGS				
Certificates/Approval Signs	ETL Listed Conforms to 8750 C22.2 No. 223	ETL Listed Conforms to 8750 C22.2 No. 223	ETL Listed Conforms to 8750 C22.2 No. 223	ETL Listed Conforms to 8750 C22.2 No. 223

AC SERIES

Input: 120VAC

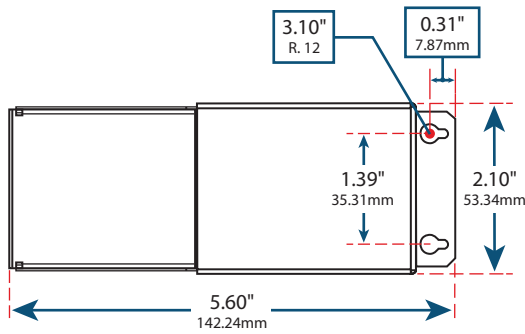
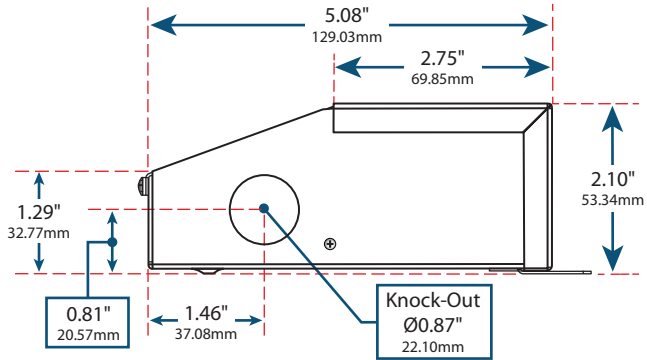
Specification Sheet

SPECS

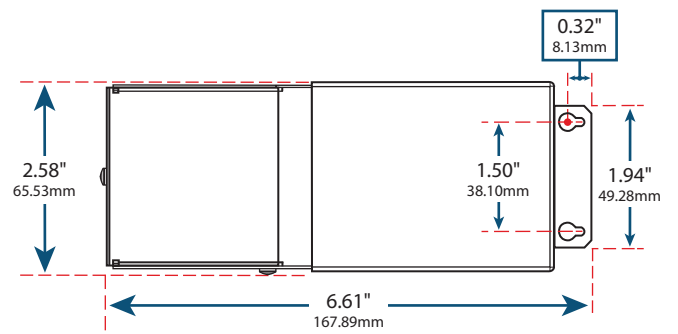
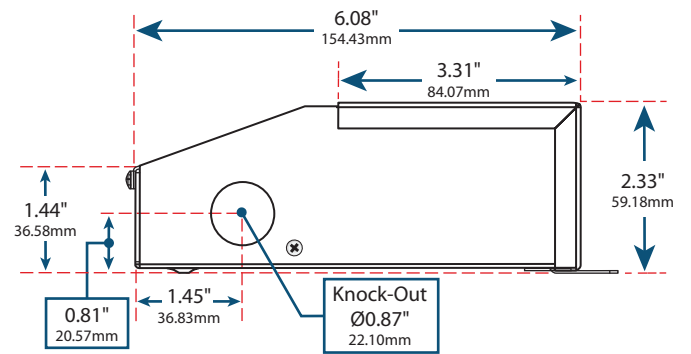
INPUT	100W	150W	200W	300W	500W
Input Voltage Range	120VAC ± 10%	120VAC ± 10%	120VAC ± 10%	120VAC ± 10%	120VAC ± 10%
Input Frequency	50/60Hz	50/60Hz	50/60Hz	50/60Hz	50/60Hz
Input Current	1.019 ---	1.27A (12VAC) 1.27A (24VAC)	1.66A (12VAC) 1.66A (24VAC)	2.50A (12VAC) 2.50A (24VAC)	5.12A (12VAC) 5.12A (24VAC)
Efficiency	91.5% ---	90.3% (12VAC) 88.6% (24VAC)	> 89.2% (12VAC) > 90.5% (24VAC)	--- > 91.2%	--- > 91.2%
OUTPUT					
Max Load	100W	150W	200W	300W	500W
Output Voltage @ Max Load	11.5 VAC ---	11.5 VAC 23.0 VAC	11.5 VAC 23.0 VAC	11.5 VAC 23.0 VAC	11.5 VAC 23.0 VAC
Output Current @ Max Load	8.34A ---	12.5A (12VAC) 12.5A (24VAC)	12.5A (12VAC) 12.5A (24VAC)	25.0A (12VAC) 12.5A (24VAC)	41.0A (12VAC) 21.0A (24VAC)
Open Circuit Output Voltage	12.5 VAC ---	12.5 VAC 25.0 VAC	12.5 VAC 25.0 VAC	12.5 VAC 25.0 VAC	24.0 VAC ---
ENVIRONMENTAL					
Operating Temperature	-30°C to +45°C (-22°F to 113°F)	-30°C to +45°C (-22°F to 113°F)	-30°C to +45°C (-22°F to 113°F)	-30°C to +45°C (-22°F to 113°F)	-30°C to +45°C (-22°F to 113°F)
Min. Installation Spacing	5"	5"	5"	5"	5"
Thermal Class	B130°C	B130°C	B130°C	B130°C	B130°C
DIMMING					
Minimum Dimming Level	1%	1%	1%	1%	1%
PROTECTION					
Circuit Breaker (Primary & Secondary)	Manual Reset	Manual Reset	Manual Reset	Manual Reset	Manual Reset
MECHANICAL HOUSING					
Primary Leads	18 AWG	18 AWG	18 AWG	18 AWG	18 AWG
Secondary Leads	12 AWG (12VAC) ---	12 AWG (12VAC) 14 AWG (24VAC)	12 AWG ---	12 AWG ---	12 AWG ---
Length	9.80" (248.9mm)	9.80" (248.9mm)	9.80" (248.9mm)	9.80" (248.9mm)	10.50" (266.7mm)
Width	3.00" (76.2mm)	3.00" (76.2mm)	3.00" (76.2mm)	4.20" (106.7mm)	4.73" (120.20mm)
Height	3.00" (76.2mm)	3.00" (76.2mm)	3.00" (76.2mm)	3.50" (88.9mm)	4.26" (108.2mm)
Weight	7 lbs.	7 lbs.	8 lbs.	8 lbs.	9 lbs.
Housing Material	Coated Metal	Coated Metal	Coated Metal	Coated Metal	Coated Metal
Housing Color	Black	Black	Black	Black	Black
Junction Box	Yes	Yes	Yes	Yes	Yes
Mounting	Two-hole flange	Two-hole flange	Two-hole flange	Two-hole flange	Two-hole flange
APPROVAL MARKINGS					
Certificates/Approval Signs	ETL Listed Conforms to 8750 C22.2 No. 223	ETL Listed Conforms to 8750 C22.2 No. 223	ETL Listed Conforms to 8750 C22.2 No. 223	ETL Listed Conforms to 8750 C22.2 No. 223	ETL Listed Conforms to 8750 C22.2 No. 223

MECHANICAL DIAGRAMS

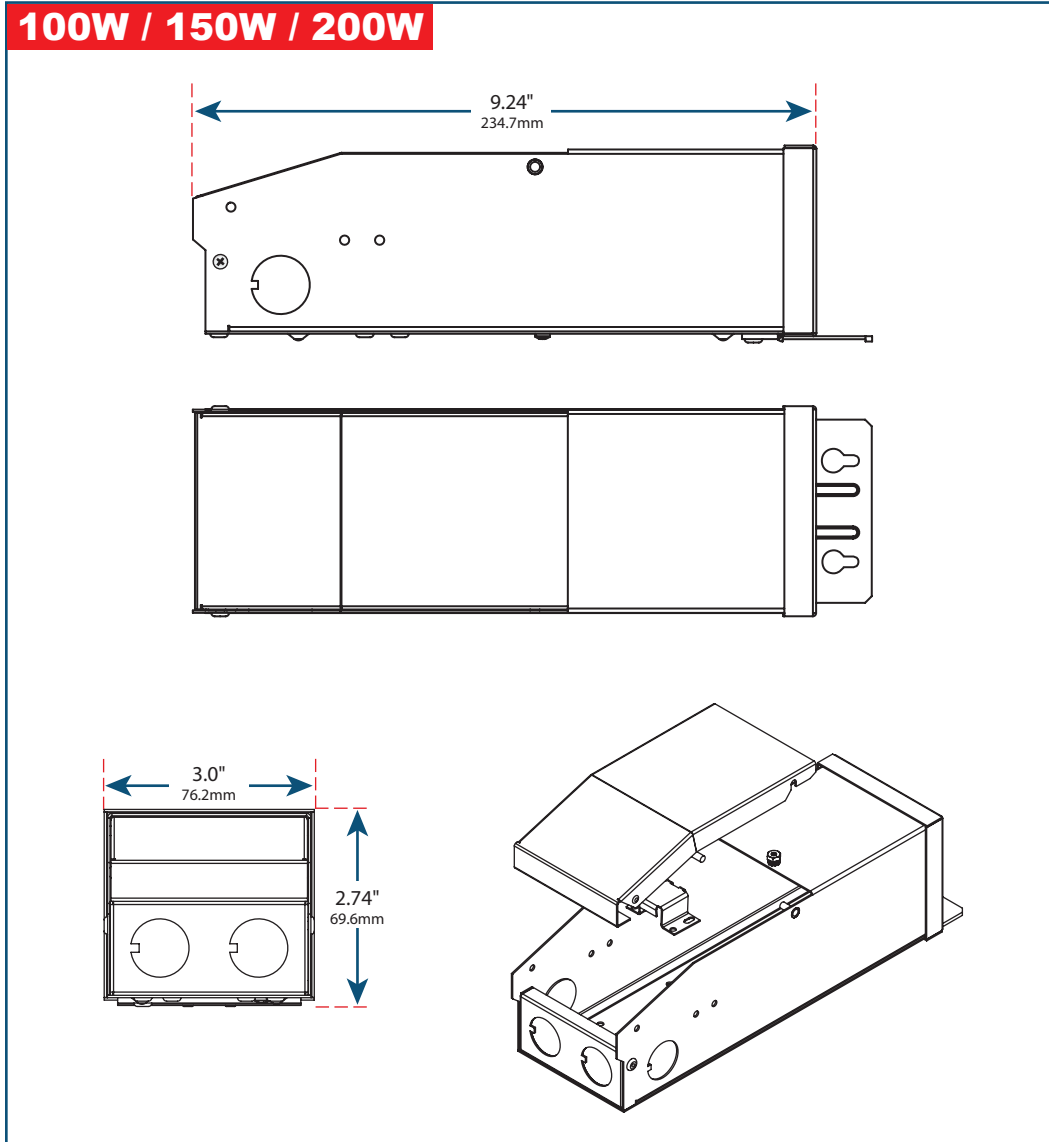
20W / 40W



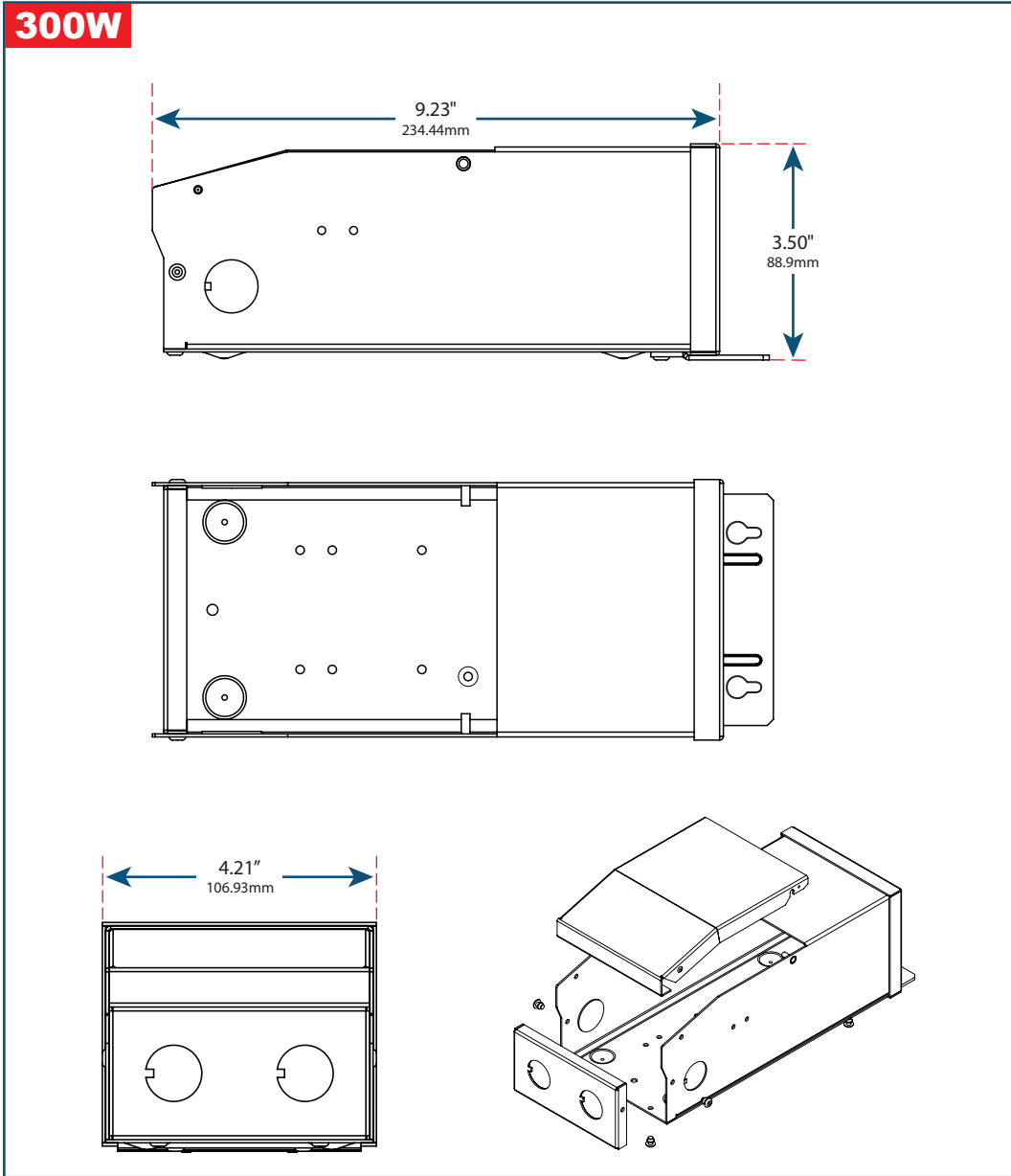
60W / 96W



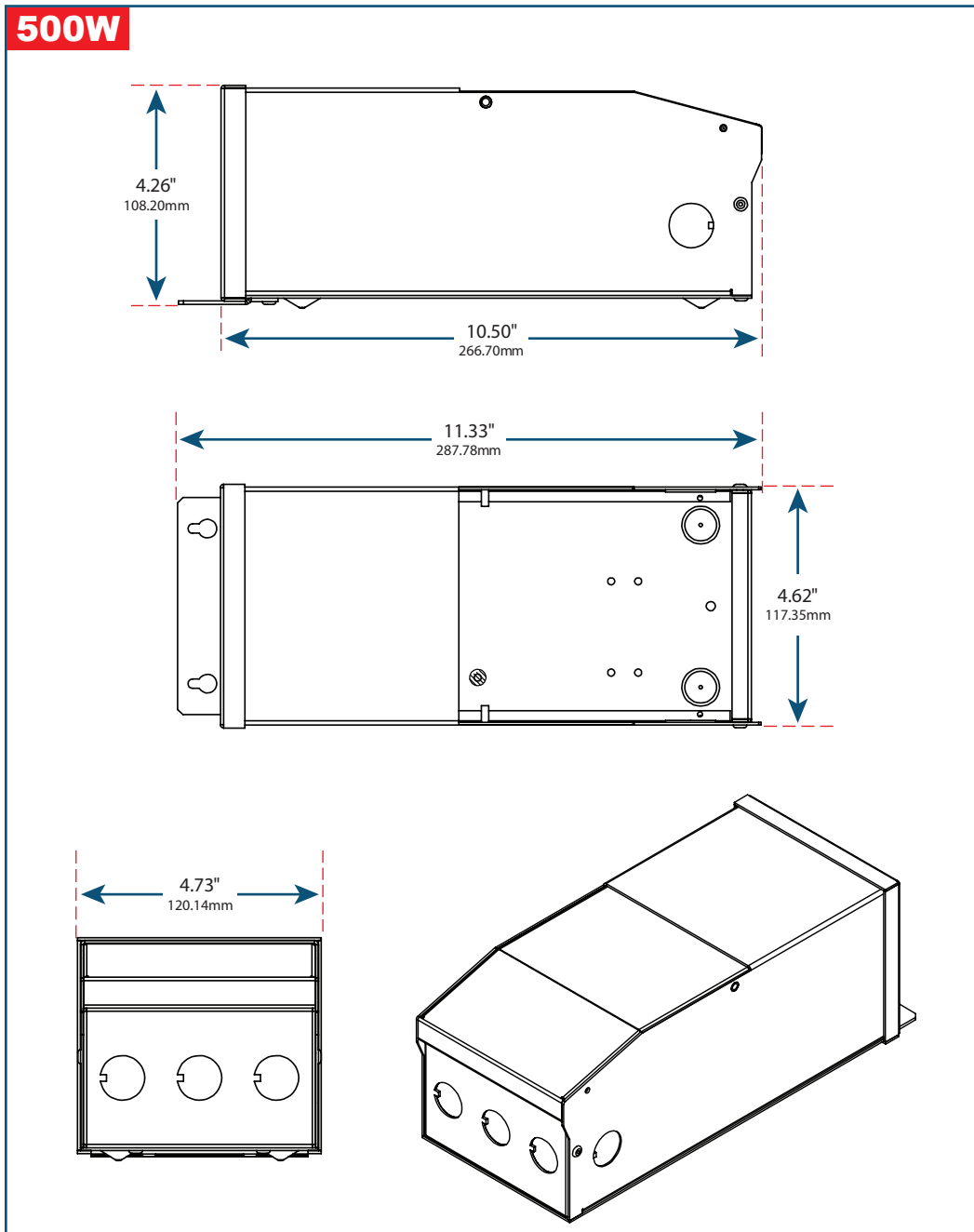
MECHANICAL DIAGRAMS



MECHANICAL DIAGRAMS

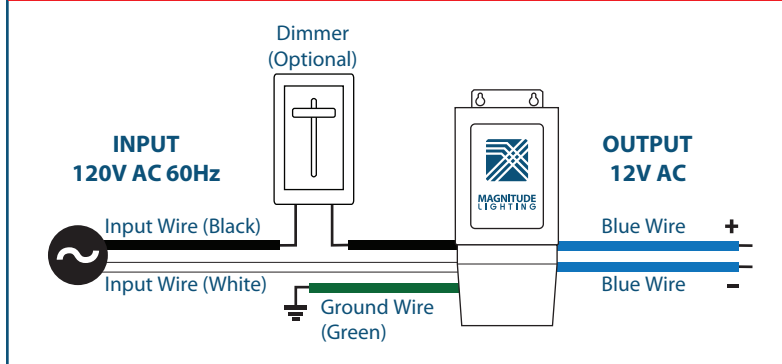


MECHANICAL DIAGRAMS

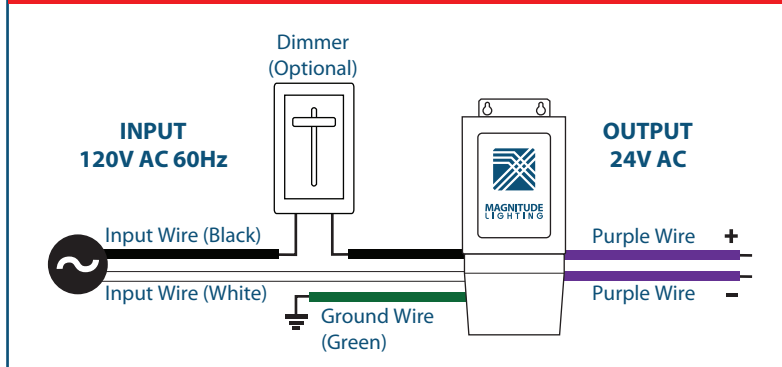


WIRING DIAGRAMS

12VAC OUTPUT - 20 TO 60W MODELS



24VAC OUTPUT - 20 TO 96W MODELS



24VAC OUTPUT - 20 TO 96W MODELS

