

## LSP3-20 LED Surge Protector

The Hatch LSP3 surge protector provides single phase protection for line/neutral, line/ground and neutral/ground in accordance with IEEE C62.41 Category C High Exposure. The unit was designed to meet new design requirements for luminaires using LED light engines. The LSP3 offers protection for LED luminaires in a small and convenient flat form factor with thermal protection and an EOL (end-of-life) LED indicator that monitors L/N, L/G and N/G.

The surge protector is **Type 4CA SPD** and is designed to be wired in parallel. Also protects Electronic Fluorescent & HID ballasts as well as all other electronic products.



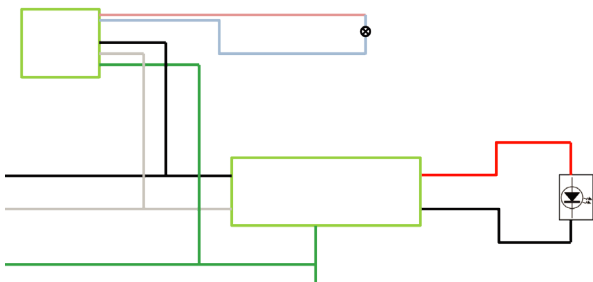
Field or Factory  
Installable

### SPECIFICATIONS:

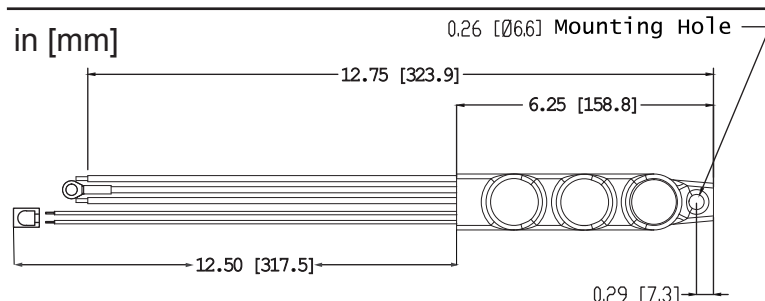
	-UNV	-480
Input Voltage:	120-277V (+/- 5%)	347-480V (+/- 5%)
Frequency:	50Hz-60Hz	50Hz-60Hz
Maximum Continuous Voltage:	385V	550V
Maximum Discharge Current:	20kA (8/20µs standard wave)	
Nominal Discharge Current:	10kA	
Measured Limiting Voltage (VpK):	L-N, L-G, N-G	L-N, L-G, N-G
	1870	2480
Wiring:	Black, White & Green: 6 in [153mm] 14 Gauge stripped wires, 105°C, 600V Red & Blue: 12 in [305mm] 22 Gauge, 105°C, 600V	
Wire Connections:	Black and white: 0.5 in [13mm] stripped Green: 0.5 in [13mm] stripped with #10 ring terminal	
Optional Indicator:	Red & Blue Wires with End-of-Life LED Indicator	
Mounting Hole:	0.26 in [6.6 mm]	
Max Case Temperature:	85°C	

Pulse Rating (8 x 20 µSec)	
Surge Level	# of Strikes
	L-N, L-G, N-G
20,000A	1
15,000A	2
10,000A	15
4,000A	100
1,400A	1000

### WIRING DIAGRAM:



### MECHANICAL DIMENSIONS:



Specifications subject to change without notice.

### EOL Indicator:

When illuminated, LSP3 is working correctly. When the indicator goes out, LSP3 needs to be replaced as soon as possible.

## ORDERING GUIDE

LSP3-20-UNV	No EOL
LSP3-20L-UNV	With EOL
LSP3-20-480	No EOL
LSP3-20L-480	With EOL

Note: LED Mounting Clip: BIVAR model: C-150-SR