

Lumination™ LED Luminaires

LRX Emergency Battery Backup Kit

Project name _____

Date _____

Type _____

Product Description:

LRXEMBBKIT is a quick and easy retrofit emergency battery backup for use exclusively with the LRX family downlights equipped with the “EL” EMBB-ready option. Each kit comes ready to go with an LRX-compatible quick-disconnect to save valuable installation time. Test pushbutton for EMBB installs easily into the LRX reflector in the field without the use of tools. Simple Retrofit Solution for Emergency Downlighting.

EMBB Performance Summary:

Input Voltage: 120-277V

Power Factor: >0.9

Emergency Operation: 90 minutes

Operating Temp: 0 – 55° degrees C

THD: <20%

Total Kit Weight: 3.75 lbs

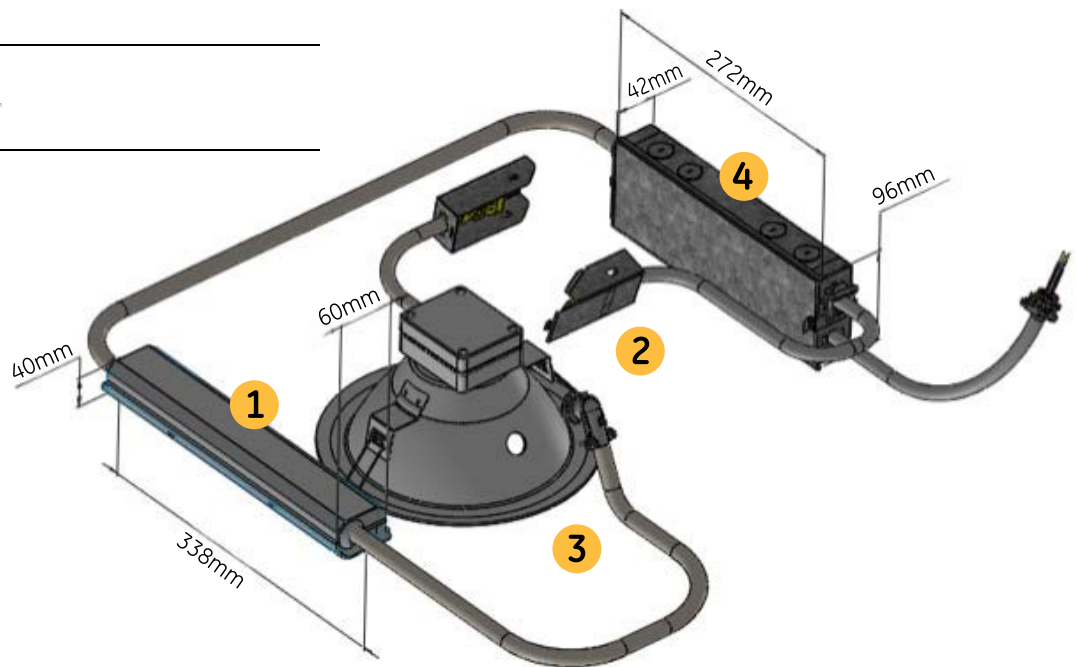
Certified by:  a product of ecomagination™



Included in the Kit:

- 1** Battery
- 2** Prewired with LRX-style Quick-Disconnect
- 3** Test Pushbutton Installed Integral to the Fixture in the Field
- 4** Junction box with EMI filter & appropriate wire connections

Product Dimensions:



Ordering Information:

Example: LRXR610835MD with 630lm EMERGENCY LIGHT = LRXR610835MDEL + LRXEMBBKIT07

LRXS830835MD with 900lm EMERGENCY LIGHT = LRXR830835MDEL + LRXEMBBKIT10

SKU	CAT# LOGIC TYPE	POWER	EMERGENCY MODE LUMENS	DESCRIPTION	BATTERY INFORMATION
93043031	LRXEMBBKIT07	7W	630lm	EMBB 7W kit for use with LRX***EL downlights	MFG Iota P/N: ILB-CP07-R
93043540	LRXEMBBKIT10	10W	900lm	EMBB 10W kit for use with LRX***EL downlights	MFG Iota P/N: ILB-CP10-R

**** LRX Downlight Fixture with “EL” option Sold Separately ****



www.currentbyge.com

All trademarks are the property of their respective owners. Information provided is subject to change without notice. All values are design or typical values when measured under laboratory conditions. Current, powered by GE is a business of the General Electric Company.
© 2016 GE.

IND337 (Rev 11/28/16)