



LAMP BALLAST and LINE VOLTAGE COMPATIBLE
LED T8 Type AB Tubes

Limitless Options
for the following applications:

TCP's now offers LED T8 Type AB Tubes. These T8 tubes provide Direct Wire or Plug and Play application and are compatible with many Instant and Programmed Start Ballasts.

- Offices
- Restaurants
- Retail Stores
- Lobbies
- Schools
- Hospitals

ETL CLASSIFIED



Intertek

RoHS
COMPLIANT

5 YEAR
WARRANTY

we know light.™



LED T8 Type AB Tubes

Features and Benefits

Bypass Application: 120-277 line voltage
Plug and Play Application: Compatible with many Instant and Programmed Start Ballasts
Instant startup
115+ lumens per watt (bare lamp line voltage efficacy)
Double ended construction for safety
Shunted or non-shunted lampholders
Highly durable plastic shatterproof available

Specifications

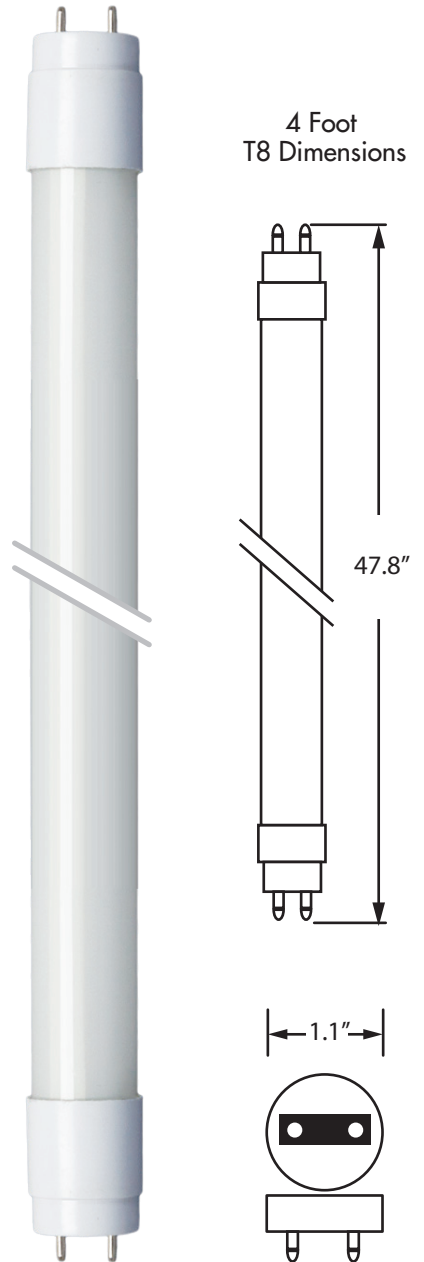
Base Type: G13
Construction: Double ended
Wattage: 15w – 16w
Operating temperature range: -20c – 45c
Safety: ETL Classified
Target Replacement Lamps: 32W/48T8
Environment: Damp/dry locations
Enclosed: Suitable for enclosed luminaires
Rated life: L70 50,000+ hours
Beam Angle: 190°
Field Angle: 300°

Listing

ETL Classified
RoHS Compliant

Warranty

Five years against defects in manufacturing



ETL CLASSIFIED



RoHS COMPLIANT

5 YEAR WARRANTY



To view our DLC qualified products, please consult the DLC Qualified Products List at www.designlights.org/qpl.



LED T8 Type AB Tubes

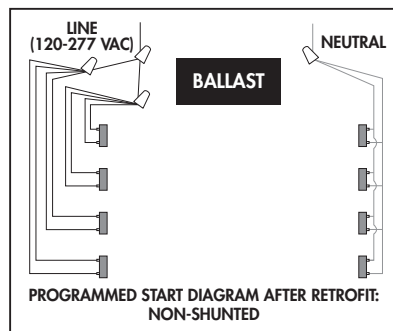
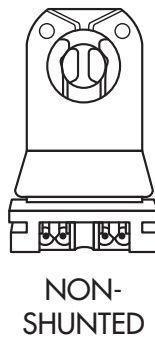
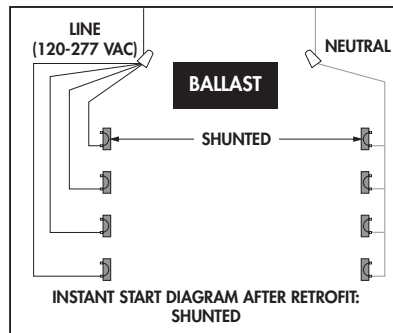
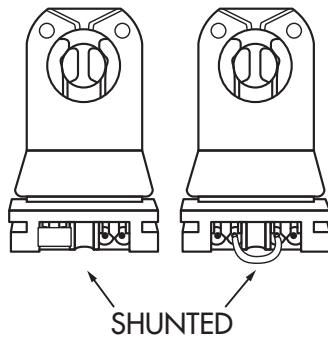
LED T8 Type AB Tubes— Ballast and Line Voltage Compatible

Item#	DLC Model#	Description	CRI	PF	THD	Line Voltage Watts	Line Voltage Lumens	Line Voltage LPW	LBF System Watts**	NBF System Watts	LBF Lumens**	NBF Lumens*	NBF System LPW
LED 15 WATT T8 TUBE – 4 FOOT GLASS													
LT815AB30K	T8040730E	LED 15W 4' T8 AB 30K	>80	>.9	<10%	16W	1750	109.4	13.6	15.3	1550	1760	115.0
LT815AB35K	T8040735E	LED 15W 4' T8 AB 35K	>80	>.9	<10%	16W	1800	112.5	13.6	15.3	1550	1760	115.0
LT815AB41K	T8040740E	LED 15W 4' T8 AB 41K	>80	>.9	<10%	16W	1800	112.5	13.6	15.3	1590	1800	117.6
LT815AB50K	T8040750E	LED 15W 4' T8 AB 50K	>80	>.9	<10%	16W	1800	112.5	13.6	15.3	1590	1800	117.6
LED 15.5 WATT T8 TUBE – 4 FOOT PLASTIC													
LPT815AB30K	T8041430E	LED 15.5W 4' T8 AB PL 30K	>80	>.9	<10%	16W	1750	109.4	13.6	15.3	1550	1760	115.0
LPT815AB35K	T8041435E	LED 15.5W 4' T8 AB PL 35K	>80	>.9	<10%	16W	1750	109.4	13.6	15.3	1550	1760	115.0
LPT815AB41K	T8041440E	LED 15.5W 4' T8 AB PL 41K	>80	>.9	<10%	16W	1800	112.5	13.6	15.3	1590	1800	117.6
LPT815AB50K	T8041450E	LED 15.5W 4' T8 AB PL 50K	>80	>.9	<10%	16W	1850	115.6	13.6	15.3	1620	1850	120.9
★ T8041435E	T8041435E	LED 15.5W 4' T8 AB PL 35K	>80	>.9	<10%	16W	1800	112.5	13.6	15.3	1590	1800	117.6
★ T8041441E	T8041440E	LED 15.5W 4' T8 AB PL 41K	>80	>.9	<10%	16W	1800	112.5	13.6	15.3	1590	1800	117.6
★ T8041450E	T8041450E	LED 15.5W 4' T8 AB PL 50K	>80	>.9	<10%	16W	1850	115.6	13.6	15.3	1590	1800	117.6

* Using OSRAM QTP 2x32T8/UNV ISN-SC electronic ballast.

** Nominal Values. Actual values are dependent on type electronic ballast used.

★ Product in QLS packaging.





LED T8 Type AB Compatibility Guide

Manufacturer	Ballast Model #	Voltage	Type
ADVANCE	ICN-2P32-N	UNV	Instant Start
	ICN-4P32-N	UNV	Instant Start
	IOP-2P32-LW-N (rev A and B)	UNV	Instant Start
	IOP-2P32-LW-SC	UNV	Instant Start
	IOP-4P32-LW-N	UNV	Instant Start
	IOPA-2P32-LW-N	UNV	Instant Start
	IOPA-3P32-LW-N	UNV	Instant Start
	IOPA-4P32-LW-N	277V Only	Instant Start
	IOPA-4P32-N	UNV	Instant Start
	REL-3P32-RH-TP	120V Only	Instant Start
	VEL-2P32-SC	277V Only	Instant Start
	VEL-4P32-SC	277V Only	Instant Start
	VOP-2P32-LW-SC	277V Only	Instant Start
	IOP-2PSP32-N	120V Only	Program
	IOP-3PSP32-LW-SC	UNV	Program
	IOP-3PSP32-SC	UNV	Program
	IOP-4PSP32-SC	UNV	Program
ESPEN	VE2P32MVHIPE	UNV	Instant Start
	VE4P32MVHIPE	UNV	Instant Start
GE	GE232-120V-RES	120V Only	Instant Start
	GE232MAX-G-N	UNV	Instant Start
	GE232MAX-N/ULT RA	UNV	Instant Start
	GE232MAXP-N	UNV	Instant Start
	GE432MAX-H	UNV	Instant Start
	GE432MAX-N	UNV	Instant Start
	GE432MAXN/ULTRA	UNV	Instant Start
	GE432MAXP-H/ULTRA	UNV	Instant Start
	GE432PL /ULTRA	UNV	Instant Start
	GE232MVPS-L	UNV	Program
	GE232MVPS-N	UNV	Program
	GE332MVPS-N	UNV	Program
	GE332MVPS-N	UNV	Program
	GE432MVPS-N	UNV	Program
HOWARD	EL2/32IS-277	277V Only	Instant Start
MAGNETEK	B23211 20RH-A	120V Only	Instant Start
	B2321277L	277V Only	Instant Start
	B43211 20RH-A	120V Only	Instant Start

* Ballasts were tested high and low line for 120V and 277V where applicable. Operating and Restart testing was completed with all lamp combinations (1,2,3,4).

Manufacturer	Ballast Model #	Voltage	Type
OSRAM	OTP 2X32 T8/UNV ISN-SC	UNV	Instant Start
	QHE 2X32 T8/UNV ISL-SC	UNV	Instant Start
	QHE 2X32 T8/UNV ISN-SC	UNV	Instant Start
	QHE 4x32T8/UNV ISL-SC	UNV	Instant Start
	QTP 2x32T8/UNV ISL-SC	UNV	Instant Start
	QTP 3x32T8/UNV ISN-SC	UNV	Instant Start
	QTP 4X32T8/UNV ISN-SC	UNV	Instant Start
	QHE 4X32 T8/UNV PSN-SC	UNV	Program
	QTP 2x32T8 /UNVPSN-MC	UNV	Program
	QTP 2x32T8/UNV PSN-TC	UNV	Program
	QHE 2X32 T8/UNV DIM-TC	UNV	Dimmable
	STANDARD	E232T8IS120/N/AS	120V Only
E432T8IS120/N/AS		120V Only	Instant Start
TCP	E2P32 IS UNVLE	UNV	Instant Start
	E2P32IS120RES	120V Only	Instant Start
	E2P32PSUNVE	UNV	Instant Start
	E3P32PSUNVE	UNV	Instant Start
	E4P32ISUNVE	UNV	Instant Start
	E4P32ISUNVLE	120V Only	Instant Start
UNIVERSAL	B2321277RH-A	277V Only	Instant Start
	B2321UNVEL-A	UNV	Instant Start
	B4321277RH-A	277V Only	Instant Start
	B4321UNVHP-A	UNV	Instant Start
	B4321UNVHP-A	UNV	Instant Start

NOTE: Ballast compatibility tests are performed under a controlled lab environment. Field conditions may vary from this type of environment. Ballasts may differ by age and could have undergone revisions under the same item number affecting compatibility. Compatibility may also extend beyond this list. TCP recommends trying a few ballast-lamp combinations in an on-site test to ensure compatibility and performance before a major installation.

All High Ballast Factor ballasts ARE NOT compatible with these tubes.

Only the ballasts stated on this compatibility list have been tested and designated compatible. Any ballast not on this list can be tested for compatibility. TCP is not liable for any installation that utilizes a ballast not on this list.

NOT COMPATIBLE	
ADVANCE	ILV-2S32-SC
	IOPA-2P32-HL-N
	IZT-2S32-SC
	REL-2P32-SC
	REZ-2S32-SC
GE	VEZ-2S32-SC
	GE232MAX-H
	GE240PS-MV-N
KEYSTONE	GE240RES120-B
	KTEB-240-1-TP-PIC/B
OSRAM	KTEB-240-UV-TP-PIC
	QHE 4x32T8/UNV ISH-SC
	QTP 3x32T8/UNV PSN-TC