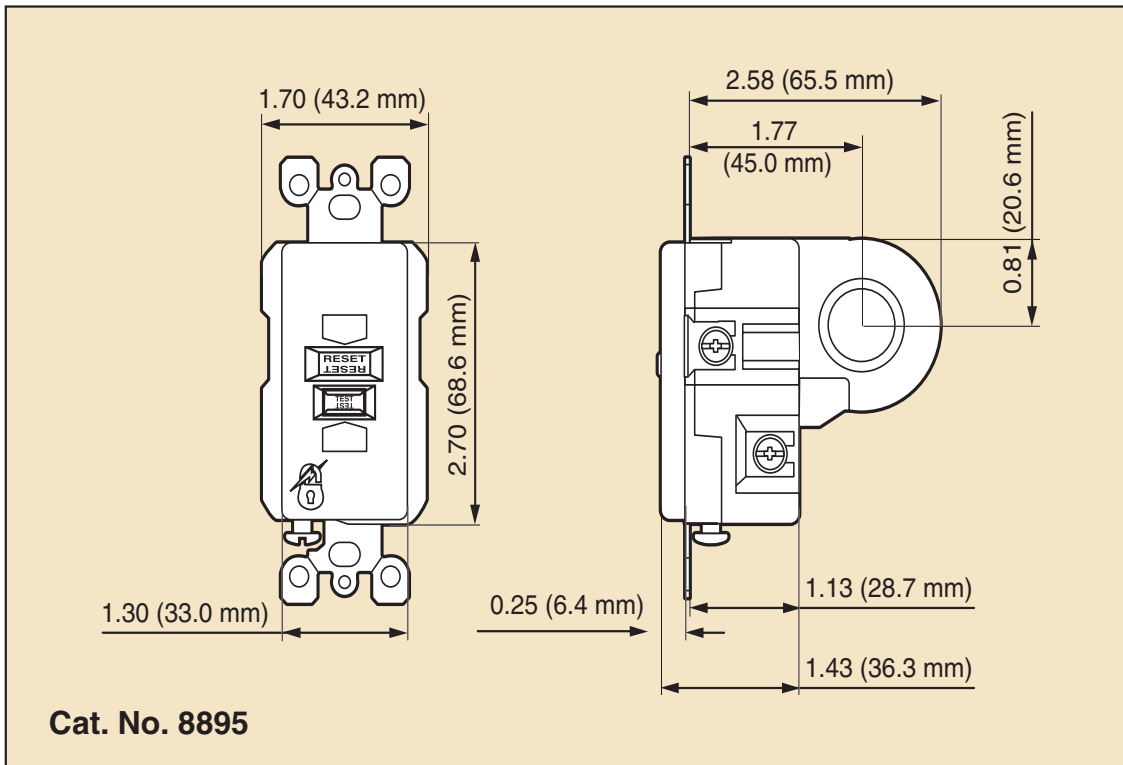


## Dimensional Drawing



### Agency Standards

- UL Recognized Component (File #E-4830)
- CSA Certified (File #LR-57811)

### Ordering Information

Cat. No. (Ivory)	Cat. No. (White)	Cat. No. (Black)
8895-I	8895-W	8895-E

- Rated: 80A-120/240VAC, 60 Hz maximum load using an Auxiliary Relay (not supplied).  
GFCI Load terminals are used to supply relay coils at 125V, 60 Hz up to a maximum of 0.6 amperes.
- Voltage: 120/240VAC, 60 Hz



Because Leviton engages in a continuous program of product improvement, all data in this publication is subject to change without notice.