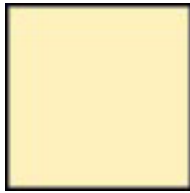


PRODUCT SPECIFICATIONS / INFO



Color: Ivory



NEMA: 5-15R



7599-I

UPC Code: 07847730633

Description

15 Amp, 125 Volt Receptacle, 20 Amp Feed-Through, Monochromatic, SmartLock Pro GFCI, back and side wired, nylon wallplate and screws included - Ivory

Product Features

Feature: SmartLock, Buttons Match Face Color

Amperage: 15 Amp

Voltage: 125 Volt

NEMA: 5-15R

Pole: 2

Trip Level: Class A, 5mA plus or minus 1mA

Wire: 3

Termination: Back & Side

Face Material: Thermoplastic Nylon

Body Material: Polycarbonate

Strap Material: Steel

Color: Ivory

Standards and Certifications: UL/CSA

Warranty: 2-Year Limited

Grounding: Green Ground Screw

Notes: w/ Wallplate

Features and Benefits

- Automatically test the GFCI every time the RESET button is pushed in. The GFCI will not reset if the GFCI circuit is not functioning properly.
- By blocking reset of the GFCI if protection has been compromised, SmartLockPRO reduces the possibility of end-users incorrectly assuming that a reset GFCI outlet is providing ground fault protection when it actually is not.
- A line-load reversal diagnostic feature is provided which prevents the GFCI from being reset and stops power from being fed to the GFCI receptacle face or through to downstream devices. A green LED indicator on the GFCI's face also illuminates to alert the installer to the line-load wiring reversal.
- The trip latch mechanism in SmartLockPro GFCIs is a one piece "T" design for efficient operation.
- There are 4 sets of contacts for load terminals and face. SmartLockPRO GFCIs use a patented bifurcated bridge contact for efficient operation.
- Trip threshold meets or exceeds UL requirements for tripping time.
- Improved immunity to high-frequency noise reduces nuisance tripping.
- Advanced electronics design provides superior resistance to electrical surges and over-voltages.
- Expanded wiring options with nine back-wire holes. Two for each line and load connection plus one for ground with an internal clamp.
- Silver alloy contacts.
- Compatible with all Decora devices and wallplates; available in select Decora colors.

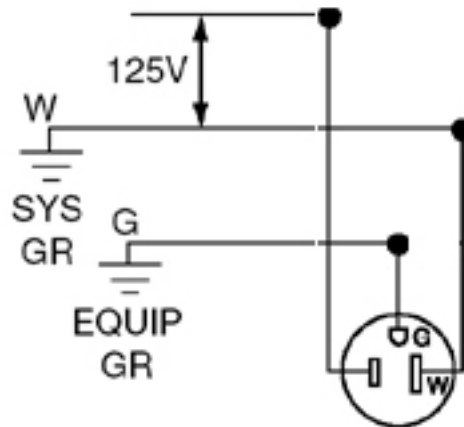
AC Horsepower Ratings	
At Rated Voltage	1 HP
Environmental Specifications	
Flammability	Rated V-2 per UL94
Operating Temperature	-35C to +66C
Mechanical Specifications	
Terminal ID	Brass-Hot, Green-Ground, Silver-Neutral
Terminal Accom.	14-10 AWG
Product ID	Ratings are permanently marked on device

Electrical Specifications	
Dielectric Voltage	Withstands 2000V per UL498
Short Circuit Current Rating	10KA
Temperature Rise	Max 30C after 100 cycles OL at 150 percent rated current

Material Specifications	
Face Material	Thermoplastic Nylon
Body Material	Polycarbonate
Line Contacts	Brass Double-Wipe .031 Thick
Terminal Screws	Plated Steel
Grounding Screw	Plated Steel
Yoke	Zinc-Plated Steel
Clamp Nuts	Zinc-Plated Steel
Notes	w/ Wallplate

Standards and Certifications	
NEMA	WD-6
ANSI	C-73
UL498	File E13399
CSA C22.2 No. 42	File LR-57811
NOM	057
UL 943	File E48380

Wiring Diagram



5-15R