

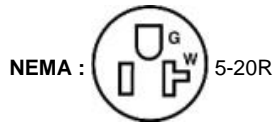
## 5362-I

Duplex Receptacle Outlet, Extra Heavy-Duty Industrial Specification Grade, Smooth Face, 20 Amp, 125 Volt, Back and Side Wire, NEMA 5-20R, 2-Pole, 3-Wire, Self-Grounding - Ivory



UPC Code : 078477139516

Country Of Origin : Please Contact Customer Service.



### Available Colors :



Black



Brown



Gray



Red



White

### Technical Information

AC Horsepower Ratings

**At Rated Voltage** : 1 HP

Electrical Specifications

**Amperage** : 20 A

**Current Limiting** : Full Rated Current

**Dielectric Voltage** : Withstands 2000V per UL498

**Grounding** : Self-Grounding

**Pole** : 2

**Temperature Rise** : Max 30C after 250 cycles OL at 200 percent rated current

**Voltage** : 125 VAC

**Wire** : 3

Environmental Specifications

**Flammability** : Rated V-2 per UL 94

**Operating Temperature** : -40°C to 60°C

Material Specifications

**Body Material** : Thermoplastic Nylon

**Clamp Nuts** : Zinc-Plated Steel

**Color** : Ivory

**Face Material** : Thermoplastic Nylon

**Ground Clips** : Brass-Plated

**Grounding Screw** : Brass 8-32

**Line Contacts** : Brass Triple-Wipe

**Strap Material** : Brass

**Terminal Screws** : Brass 10-32

**Yoke** : Brass

Mechanical Specifications

**Product ID** : Ratings are permanently marked on device

**Terminal Accom.** : 14-10 AWG

**Terminal ID** : Brass-Hot, Green-Ground, Silver-Neutral

**Termination** : Back and Side Wire

Product Features

**Color** : Ivory

**Device Type** : Duplex Receptacle Outlet

**Feature** : Smooth Face

**Grade** : Extra Heavy-Duty Industrial Specification Grade

**NEMA** : 5-20R

Standards and Certifications

**ANSI** : C-73

**CSA C22.2 No. 42** : File 152105

**NEMA** : WD-1 & WD-6

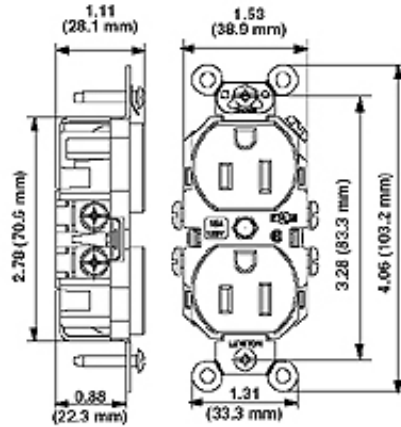
**NOM** : 057

**UL Fed Spec WC-596** : File E13399

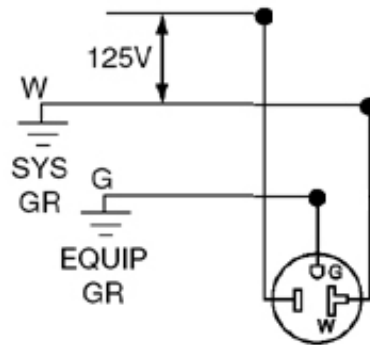
**UL498** : File E13399

**Warranty** : 10-Year Limited

## Dimensional Diagram



## Wiring Diagram



5-20R

## SPECIFICATION SUBMITTAL

JOB NAME:	CATALOG NUMBERS:	
<input type="text"/>	<input type="text"/>	<input type="text"/>
JOB NUMBER:	<input type="text"/>	<input type="text"/>

### Leviton Manufacturing Co., Inc.

201 North Service Road, Melville, NY 11747

Telephone: +1-800-323-8920 · FAX: +1-800-832-9538 · Tech Line (8:30AM-7:30PM E.S.T. Monday-Friday):

+1-800-824-3005

### Leviton Manufacturing of Canada, Ltd.

165 Hymus Boulevard, Pointe Claire, Quebec H9R 1E9 · Telephone: +1-800-469-7890 ·

FAX: +1-800-824-3005 · [www.leviton.com/canada](http://www.leviton.com/canada)

### Leviton S. de R.L. de C.V.

Lago Tana 43, Mexico DF, Mexico CP 11290 · Tel.: (+52)55-5082-1040 · FAX: (+52)5386-

1797 · [www.leviton.com.mx](http://www.leviton.com.mx)

Visit our Website at: [www.leviton.com](http://www.leviton.com)

© 2018 Leviton Manufacturing Co., Inc. All Rights Reserved. Subject to change without notice.

### Leviton has a global presence.

If you would like to know where your local Leviton office is located please go to:

[www.leviton.com/international/contacts/](http://www.leviton.com/international/contacts/)

