

PRODUCT SPECIFICATIONS / INFO



Color: Brown



Configuration:



5031

UPC Code: 07847720790

Country of Origin: Mexico

Description

15 Amp, 125/250 Volt, NEMA 5-15R_6-15R, 2P, 3W, Narrow Body Duplex Receptacle, Straight Blade, Commercial Grade, Self Grounding, Dual Voltage, , Back & Side Wired, Steel Strap, - Brown

Product Features

NEMA: 5-15R_6-15R

Color: Brown

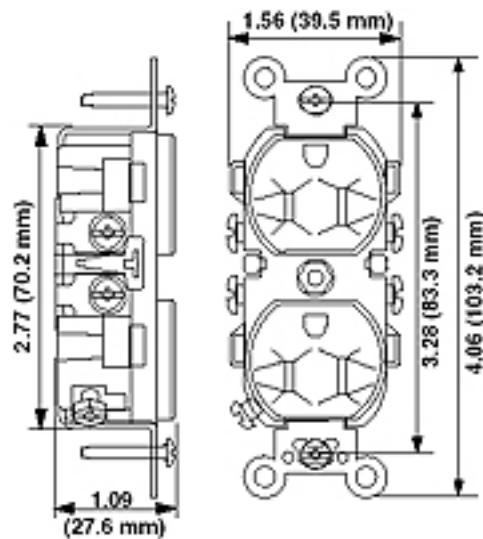
AC Horsepower Ratings	
At Rated Voltage	1/2 HP 125V / 1-1/2 HP 250V
Environmental Specifications	
Flammability	Rated V-2 per UL94
Operating Temperature	-40C to 60C
Mechanical Specifications	
Terminal ID	Brass-Hot, Green-Ground, Silver-Neutral
Terminal Accom.	14-10 AWG
Product ID	Ratings are permanently marked on device
Termination	Side

Electrical Specifications	
Grounding	Self Grounding
Amperage	15 Amp
Voltage	125/250 Volt
NEMA	5-15R 6-15R
Pole	2
Wire	3
Dielectric Voltage	Withstands 2000V per UL498
Current Limiting	Full Rated Current
Temperature Rise	Max 30C after 100 cycles OL at 150 percent rated current

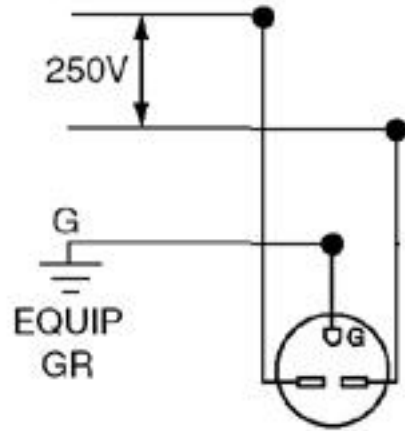
Material Specifications	
Face Material	Nylon
Body Material	Nylon
Line Contacts	Brass Triple-Wipe .031 Thick
Terminal Screws	Brass 10-32
Grounding Screw	Brass 8-32
Strap Material	Zinc-Plated Steel
Clamp Nuts	Zinc-Plated Steel
Ground Clips	Brass-Plated
Color	Brown

Standards and Certifications	
NEMA	WD-2 WD-6
ANSI	C-73
UL498	File E13399
UL Fed Spec WC-596	File E13399
CSA C22.2 No. 42	File 152105
NOM	057
Warranty	10 Year Limited

Dimensional Diagram

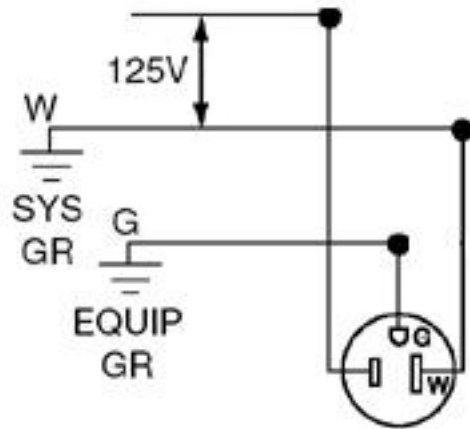


Wiring Diagram



6-15R

Wiring Diagram



5-15R