

PRODUCT SPECIFICATIONS / INFO



Color: Brown



1257-L

UPC Code: 07847780870

Country of Origin: Mexico -

Description

20 Amp, 120/277 Volt, Toggle Locking Double-Throw Ctr-OFF Momentary Contact Single-Pole AC Quiet Switch, Extra Heavy Duty Spec Grade, Grounding, Back & Side Wired, - Black

Product Features

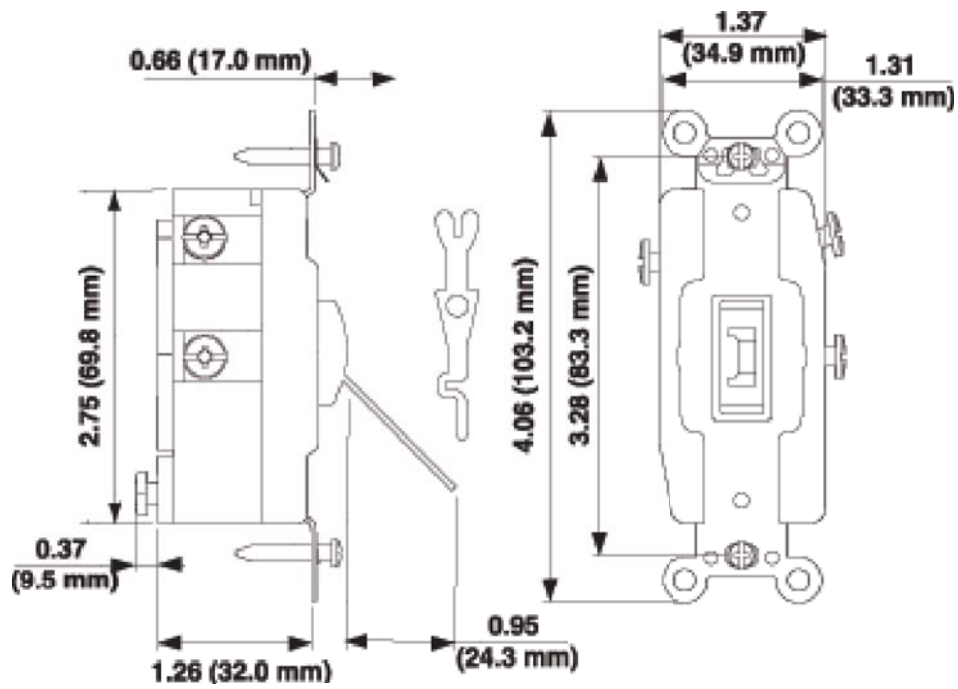
Color: Brown

AC Horsepower Ratings	
HP Rating	1HP-120V 2HP-240V
Max. Amperage	16 Amp
Environmental Specifications	
Flammability	Rated V-2 per UL94
Operating Temperature	-40°C to 65°C
Mechanical Specifications	
Terminal ID	Brass-Hot Black-Hot White-Neutral Green-Gnd
Terminal Accom.	14-#10 AWG back wired; #14-#12 AWG side wired
Product ID	Ratings are permanently marked on device
Torque Range	12-14 inch pounds

Electrical Specifications	
Amperage	20 Amp
Voltage	120/277 Volt
Grounding	Self Grounding
Dielectric Voltage	Withstands 1500V for 1 minute
Overload UL20 Test	100 cycles of OL at 4.8 times rated current
Temperature Rise	Maximum 30 degrees C rise
Endurance	50,000 cycles minimum

Material Specifications	
Strap Material	.048" Thick Galvanized Steel
Base Material	Thermoplastic
Toggle	Polycarbonate
Cover Material	Thermoplastic
Contact Material	Silver Alloy
Terminal Screws	Brass 8-32
Grounding Screw	Brass 8-32
Ground Clips	Brass
Color	Brown

Standards and Certifications	
NEMA	WD-1 & WD-6
ANSI	C-73
UL Fed Spec WS896E	File #E7458
UL Standard	UL 20
CSA C22.2 No. 111	File #152105
NOM	057
RoHS	Compliant
Warranty	10 Year Limited



Wiring Diagram

Single-Pole, Double Throw (SPDT) Center OFF

