

LED Replacement Lamps

Omnidirectional Type B Plug-ins



Project Name _____

Date _____ Type _____

Notes _____

Current's Omnidirectional Type B Plug-in lamps provide an easy solution to leverage the low energy and long life of LED. The existing fixture is wired to bypass the ballast, which further reduces energy use and eliminates the need to check ballast compatibility. Additional maintenance savings are realized by removing costs associated with replacing ballasts.

PERFORMANCE HIGHLIGHTS:

Omnidirectional Type B Plug-in Lamps	
Light Output Range:	800-1200 Lumens
CRI:	80
CCT:	2700K, 3000K, 3500K & 4000K
Input Voltage:	120-277
Efficiency:	Up to 120 LPW
Wattage:	7.5W & 10W
Life:	Up to 50,000 hours L70
Temperature Rating:	-20°C to 40°C
Location Rating:	Damp

LIMITED WARRANTY

2 years for 20,000-hour lamps
5 years for 50,000-hour lamps

FEATURES:

- 2-pin G24 base fits in 2-pin G24d and 4-pin G24q sockets
- Operates from 120-277VAC input voltage (ballast bypass)
- Omnidirectional light output for use in vertical or horizontal applications
- Lasts up to 4x longer than CFL
- These lamps are energy efficient, contain no lead or mercury and are compliant with material restriction requirements of RoHS

BENEFITS:

Energy + Cost Savings

- For example, using only 10 watts of energy, save over \$60 in energy costs over the rated life of the lamp versus a standard 18-watt compact fluorescent lamp operated on a ballast based on \$0.11 per kWh
- Energy efficiency and long life mean fewer lamp replacements versus standard compact fluorescent light sources
- Eliminates the need for ballasts
- Affordable upgrade to LED

LEARN MORE:

To learn more about saving money and energy, go to www.LED.com.

LED Replacement Lamps

Omnidirectional Type B Plug-ins

Project Name _____

Date _____ Type _____

Notes _____

Omnidirectional Type B Plug-in Lamps

Base Type	Watts	Order Code	Description	Volts	Case Qty ²	MOL (in)	MOD (in)	Lumens (Initial)	Color Temp. (Initial)	CRI	Wattage Replacement	Rated Life L70 (Hrs) ¹	Dimmable	DLC ⁴	Location Rating ³	Additional Information
G24	7.5	93300068	LED8BG24-O/827-4PK	120-277	24	4.4	1.5	800	2700	80	13	20,000	-	N/A	Damp, Enclosed	Ballast Bypass, 4-pack
G24	7.5	93300069	LED8BG24-O/830-4PK	120-277	24	4.4	1.5	850	3000	80	13	20,000	-	N/A	Damp, Enclosed	Ballast Bypass, 4-pack
G24	7.5	93300080	LED8BG24-O/835-4PK	120-277	24	4.4	1.5	850	3500	80	13	20,000	-	N/A	Damp, Enclosed	Ballast Bypass, 4-pack
G24	7.5	93300081	LED8BG24-O/840-4PK	120-277	24	4.4	1.5	850	4000	80	13	20,000	-	N/A	Damp, Enclosed	Ballast Bypass, 4-pack
G24	10	93300082	LED10BG24-O/827-4PK	120-277	24	5.4	1.8	1100	2700	80	18	50,000	-	N/A	Damp, Enclosed	Ballast Bypass, 4-pack
G24	10	93300083	LED10BG24-O/830-4PK	120-277	24	5.4	1.8	1200	3000	80	18	50,000	-	N/A	Damp, Enclosed	Ballast Bypass, 4-pack
G24	10	93300084	LED10BG24-O/835-4PK	120-277	24	5.4	1.8	1200	3500	80	18	50,000	-	N/A	Damp, Enclosed	Ballast Bypass, 4-pack
G24	10	93300086	LED10BG24-O/840-4PK	120-277	24	5.4	1.8	1200	4000	80	18	50,000	-	N/A	Damp, Enclosed	Ballast Bypass, 4-pack

Information provided is subject to change without notice. Please verify all details with Current. All values are design or typical values when measured under laboratory conditions, and Current makes no warranty or guarantee, expressed or implied, that such performance will be obtained under end-use conditions.

¹ The life rating is based on the hours of operation the lamp will provide before reaching 70% of its original lumen output (L70)

² Minimum order quantity from Current = Case Qty; Smaller unit of sale pack inside case

³ UL 1993 Environmental Requirements for LED LAMPS

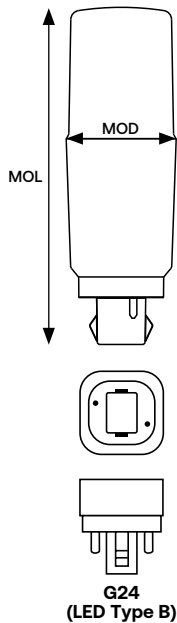
Damp Location – Exterior or interior location that is normally or periodically subject to condensation of moisture in, on, or adjacent to electrical equipment, including partially protected locations

Dry Location – Location not normally subject to dampness, may include a location subject to temporary dampness (i.e., building under construction, provided ventilation is adequate to prevent an accumulation of moisture)

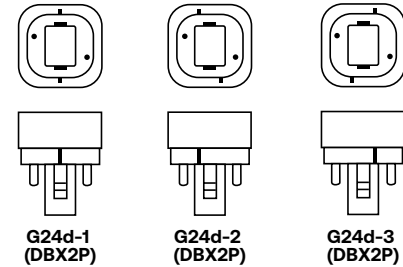
Wet Location – Location in which water or other liquid can drip, splash, or flow on or against electrical equipment

⁴ DLC* does not have a category for two-pin plug-in lamps.

LED G24 2-pin Base

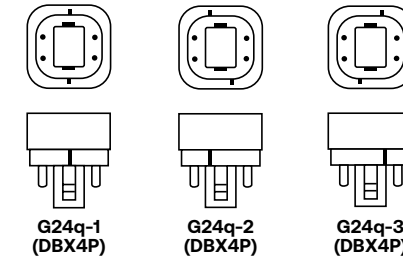


Compact Fluorescent G24d 2-pin Bases

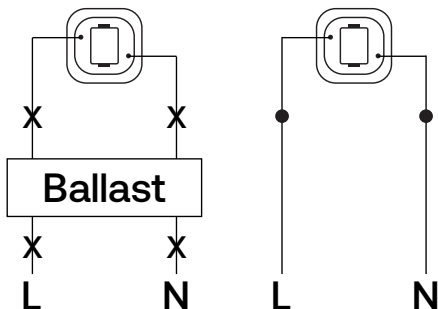


Works in G24d & G24q Sockets

Compact Fluorescent G24q 4-pin Bases



Wiring Diagram for G24d 2-pin Sockets



Wiring Diagram for G24q 4-pin Sockets

