

Project Name:	
Type:	

LD036L-CUxxxxx-Y1

36W AC-DC Constant Voltage
LED Driver

PRODUCT FEATURE

- Universal AC input / Full range (up to 305VAC)
- Class 2 power supply unit
- Constant Voltage design
- Fully isolated plastic case
- Protections: OLP/ SCP/ OTP
- 2-years warranty



UL **UL** **us** **CE** **IP67**
E345001 E345001

WARRANTY

- See [Limited Warranty Policy](#) for more additional information

RELATED PRODUCTS

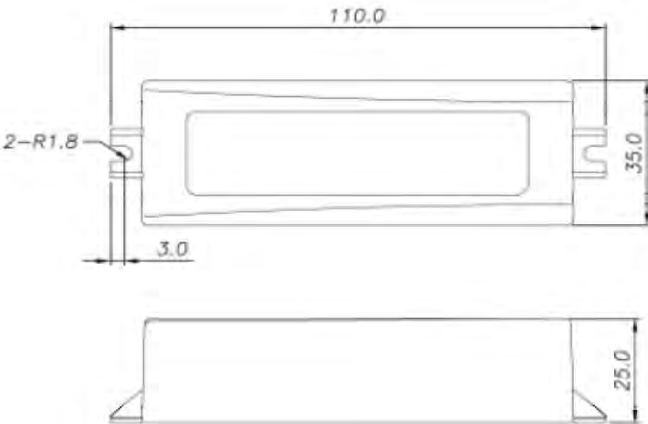
[LD036L-VUxxxxx-Y1](#)

[100W AC-DC Constant Voltage LED Driver](#)

[60W AC-DC Constant Voltage LED Driver](#)

[200W AC-DC Constant Voltage LED Driver](#)

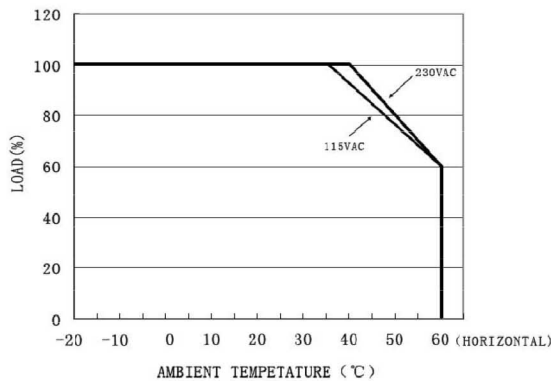
PRODUCT DIMENSION - 110 X 35 X 25MM



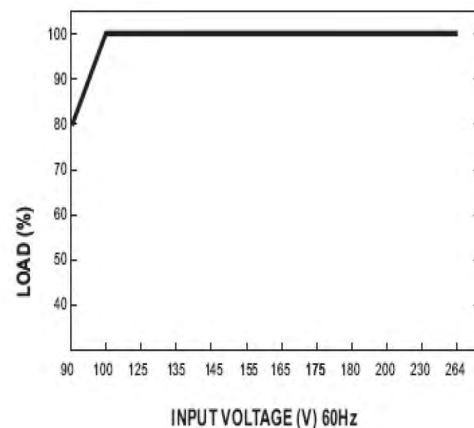
WIRING DIAGRAM



DERATING CURVE



STATIC CHARACTERISTICS



Project Name:	
Type:	

LD036L-CUxxxxx-Y1

36W AC-DC Constant Voltage
LED Driver

PRODUCT SPECIFICATION

MODEL NO.	LD036L-CU28012-Y1	LD036L-CU14024-Y1	LD036L-CU10536-Y1	LD036L-CU07048-Y1	
OUTPUT	DC VOLTAGE RANGE (VF)	9 – 12V	16 – 24V	24 – 36V	36 – 48V
	RATED CURRENT	2.8A	1.4A	1.05A	0.7A
	CURRENT TOLERANCE	33.6W	33.6W	37.8W	33.6W
	RATED MAX. POWER	±6%	±6%	±6%	±6%
	RIPPLE & NOISE (Max.) Note.2	0.24 Vp-p	0.24 Vp-p	0.30 Vp-p	0.30 Vp-p
	EFFICIENCY Note.1	83%	84%	84%	84%
	SET UP TIME (Max)	500ms/ 230Vac at full load			
INPUT	RATE VOLTAGE	100 – 277VAC			
	FREQUENCY RANGE	50 / 60Hz			
	AC CURRENT (Max.)	1.0A at 115VAC/ 0.5A at 230VAC			
	INRUSH CURRENT (Max.)	50A at 115VAC/ 50A at 230			
	LEAKAGE	<1mA/ 240VAC			
PROTECTIONS	OVER CURRENT	100% - 120% Constant current limiting, auto-recovery			
	SHORT CIRCUIT	Hiccup mode, recovers automatically after temperature goes down			
	OVER TEMPERATURE	Shut down o/p voltage, recovers automatically after temperature goes down			
SAFETY & EMC	SAFETY STANDARDS	Meet EN61347-1, EN61347-2-13; UL8750 refer 1310			
	WITHSTAND VOLTAGE	I/P – O/P: 3.75K VAC			
	ISOLATION RESISTANCE	I/P – O/P: 100m ohms/ 500VDC at 25°C			
	EMI CONDUCTION & RADIATION	Meet EN55015			
	EMS IMMUNITY	Meet EN61000- 4-2, 3, 4, 5, 6, 11; EN61547			
CONNECTION	INPUT	UL rated, 18AWG x 2C (150mm)			
	OUTPUT	UL rated, 22AWG x 2C (150mm)			
OTHERS	MTBF	100K hours. @Ta=25°C			
	DIMENSION (L x W x H)	110 x 35 x 25mm			
	PACKING (L x W x H)/ CARTON	445 x 256 x 185mm ; 100pcs/ 18.5kg			