

FEATURES & SPECIFICATIONS

INTENDED USE — Typical applications include corridors, lobbies, conference rooms and private offices.
CONSTRUCTION — Retrofit, remodel, and new construction mounting types. See table for compatible ceiling openings and thickness range.

Optional goof rings available for additional overlap trim coverage.

1/2"-1-1/2" ceiling thickness

25° ambient temperature

IC rated up to 1000lm

OPTICS — LEDs are binned to a 3-step Mac Adam Ellipse. 55° cutoff

New construction frame accessories approved for 8 (4 in/4 out) No. 12 AWG conductors rated for 90°C through wiring.

80CRI standard (90CRI optional)

UGR — UGR is zero for fixtures aimed at nadir with a cut-off equal to or less than 60deg, per CIE 117-1996 Discomfort Glare in Interior Lighting. [UGR FAQ](#)

ELECTRICAL — Adjustable lumen output with four module options. Fixed lumen options also available. MVOLT 120/277V 50/60Hz driver (0-10V & 120V Phase Dimming to 10% or 1% min dimming level)

FCC CFR Title 47 Part 15 Class A for 277V. FCC CFR Title 47 Part 15 Class B for 120V.

LUMEN MAINTENANCE — L80 at 60,000 hours

LISTINGS — Certified to US and Canadian safety standards. Title 24 compliant (90CRI, up to 1000lm) Damp location standard (Wet Location (WL) optional, requires covered ceiling). TAA compliant. UFC (3-530-01) specification compliant for power factor and THD. GSA P100 6.2.4 compliant for power quality at full output; compliant up to 2000lm at fully dimmed output. Drivers are ROHS compliant

WARRANTY — 5-year limited warranty. This is the only warranty provided and no other statements in this specification sheet create any warranty of any kind. All other express and implied warranties are disclaimed. Complete warranty terms located at: www.acuitybrands.com/support/warranty/terms-and-conditions

Note: Actual performance may differ as a result of end-user environment and application.

All values are design or typical values, measured under laboratory conditions at 25 °C.

Specifications subject to change without notice.

Catalog Number
Notes
Type

LBR8



8" Open and Wallwash LED Retrofit/Remodel Downlight

Retrofit | Remodel



Open Trim



Wallwash Trim

Performance Data

LBR8 AR LSS MWD		80CRI							
Lumen Output	Wattage	30K/80CRI		35K/80CRI		40K/80CRI		50K/80CRI	
		Delivered Lumens	LPW	Delivered Lumens	LPW	Delivered Lumens	LPW	Delivered Lumens	LPW
AL01 (500LM)	6	551	96	564	97	577	99	595	101
AL01 (750LM)	9	872	98	893	100	914	102	942	104
AL01 (1000LM)	13	1225	95	1253	96	1283	98	1323	101
AL02 (1000LM)	13	1298	105	1328	106	1360	108	1402	111
AL02 (1500LM)	19	1895	101	1939	103	1985	105	2047	107
AL02 (2000LM)	25	2387	96	2442	98	2500	99	2578	102
AL03 (2000LM)	25	2456	99	2513	101	2572	103	2652	105
AL03 (2500LM)	32	2965	94	3034	96	3106	98	3202	100
AL03 (3000LM)	38	3367	90	3445	91	3527	93	3636	95
AL04 (4000LM)	39	4008	104	4090	106	4172	108	4213	109
AL04 (4500LM)	44	4424	101	4514	103	4604	105	4649	106
AL04 (5000LM)	49	4811	98	4909	100	5007	102	5056	103

LBR8 MS MWD		80CRI							
Lumen Output	Wattage	30K/80CRI		35K/80CRI		40K/80CRI		50K/80CRI	
		Delivered Lumens	LPW	Delivered Lumens	LPW	Delivered Lumens	LPW	Delivered Lumens	LPW
AL01 (500LM)	6	463	80	474	82	485	84	500	86
AL01 (750LM)	9	733	82	750	84	767	86	791	88
AL01 (1000LM)	13	1029	79	1053	81	1078	83	1111	86
AL02 (1000LM)	13	1091	87	1116	89	1142	91	1178	94
AL02 (1500LM)	19	1592	84	1629	86	1667	88	1719	91
AL02 (2000LM)	25	2005	80	2052	82	2100	84	2165	87
AL03 (2000LM)	25	2063	83	2111	85	2161	87	2228	89
AL03 (2500LM)	32	2490	79	2548	81	2609	83	2690	85
AL03 (3000LM)	38	2828	75	2894	77	2963	78	3055	81
AL04 (4000LM)	39	3367	86	3436	88	3504	90	3539	91
AL04 (4500LM)	44	3716	84	3792	86	3867	88	3905	89
AL04 (5000LM)	49	4041	82	4124	84	4206	86	4247	87

- Tested in accordance with IESNA LM-79-08. u8226
- Tested to current IES and NEMA standards under stabilized laboratory conditions.
- CRI: 80 typical

design select

Items marked by a shaded background qualify for the Design Select program and ship in 15 days or less. To learn more about Design Select, visit www.acuitybrands.com/designselect.
 *See ordering tree for details





Module ordering

ORDERING INFORMATION

Lead times will vary depending on options selected. Consult with your sales representative.

Example: LBR8 ALO2 SWW1 AR LSS MWD MVOLT UGZ 90CRI

Series	Lumens ‡	Color temperature ‡	Reflector Color	Reflector Flange ‡	Reflector Finish
LBR8 8" Retrofit	Adjustable Lumen Output	Switchable CCT	AR Clear	(blank) Self-flanged	LSS Semi-specular
LBR8WW ‡ 8" Retrofit Wallwash	AL01 500/750/1000lm	SWW1 3000K-3500K-4000K-5000K	BR ‡ Black painted	TRW White painted flange	
	AL02 1000/1500/2000lm	Fixed CCT	MS ‡ Metallic Silver	TRBL Black painted flange	
	AL03 2000/2500/3000lm	27K 2700K	WR ‡ White painted	FCPC Custom painted flange only	
	AL04 4000/4500/5000lm	30K 3000K	TCPC ‡ Custom painted trim	FRALTB D RAL painted flange only	
		35K 3500K	TRALTB D ‡ RAL painted trim		
		40K 4000K			
		50K 5000K			

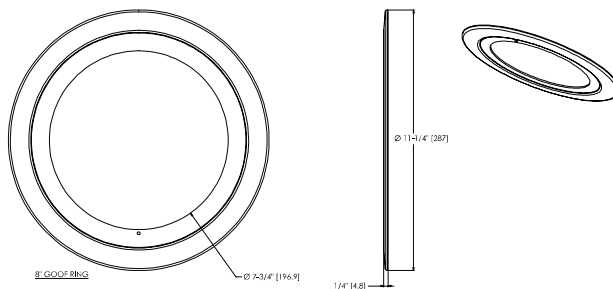
Distribution	Voltage	Driver	Emergency ‡	Control Input ‡	Options
MWD Medium wide (1.0 s/mh)	MVOLT 120	UGZ Universal dimming to 10% 0-10V; line voltage dimming (120V)	(blank) No Emergency Needed	(blank) No Control Input Needed	90CRI High CRI (90+)
WD Wide (1.2s/mh)	277	UGZ1 Universal dimming to 1% 0-10V; line voltage dimming (120V)	ELR Battery pack (10W constant power) Non-T20 Compliant remote test switch	SSAIR Wireless standalone embedded control by SensorSwitch	AT ‡ Airtight
WW ‡ Wallwash	347	DALI ‡ DALI dimming to 1% D1 Minimum dimming 1% driver for use with SSAIR	ETS Iota Emergency Transfer System	NLIGHT Embedded wired controls from nLight	EC1 ‡ Extended Conduit (18")
			E10WCP Battery pack (10W constant power) T20 Compliant integral test switch	NLIGHTER Embedded wired controls from nLight with UL924 listed emergency operation	EC6 ‡ Extended Conduit (6ft)
			E10WCPR Battery pack (10W constant power) T20 Compliant remote test switch	NLTAIR2 nLight® Air enabled	WL ‡ Wet Location (IP55)
			E10WRSTAR Emergency battery pack, 10W with remote test switch and Iota STAR technology	NLTAIREM2 nLight® AIR Dimming Pack Wireless Controls. UL924 Emergency Operation, via power interrupt detection.	QDS ‡ Quick disconnect plugs
					CP ‡ Chicago Plenum

NOTE: ‡ indicates option value has ordering restrictions. Please reference the Option Value Ordering Restrictions chart below.

‡ Option Value Ordering Restrictions	
Options	Restriction
Adjustable Lumens/CCT	Adjustable Lumen Output and Switchable CCT must be specified together (for Example: ALO1 SWW1)
Fixed Lumens/CCT	Fixed Lumen Output and Fixed CCT must be specified together (for Example: 10LM 30K)
WW	Not available with WL, EL, E10WCP.
MS, WR, BR	Not available with LSS reflector finish
WR	Not available with TRW
BR	Not available with TRBL
TRALTB D, FRALTB D	RALTB D for pricing only. Replace with applicable RAL number and finish when ready to order. See the RAL BROCHURE for available color options. Not available with TCPC or FCPC.
TCPC, FCPC	CPC options for pricing only. Custom color chip needs to be sent in to your Customer Resolution specialist before order can be processed. Click HERE for more details. Not available with TRAL or FRAL.
TRW, TRBL	Available with MS and AR reflectors only.
LSS	Not available with BR or WR or MS
347V	Not available with CP, QDS, ELR, E10WCP, E10WCPR, NLIGHT, NLIGHTER, NLTAIR2, or NLTAIREM2
DALI	Not available with fixed lumens or CCT. Max 4500 lumens.
E10WCPR	Not available with EC1, EC6, AT, QDS, CP, 347V, NLIGHTER, NLTAIREM2, WL, ALO3 & ALO4 w/DALI, OR 2000-4500 lumens w/SSAIR.
E10WCP	Not available with WW, EC1, EC6, AT, QDS, CP, 347V, NLIGHTER, NLTAIREM2, WL, ALO3 & ALO4 w/DALI, OR 2000-4500 lumens w/SSAIR.
E10WSTAR	Not available with wet location, EC1, EC6, QDS, CP, 347V, NLIGHTER, NLTAIREM2, ALO3 & ALO4 w/DALI, OR 2000-4500 lumens w/SSAIR. Top access installation or 17.5" plenum clearance required for roomside installation. Not available with integral test switch
ELR	Not available EC1, EC6, QDS, CP, 347V, NLIGHTER, NLTAIREM2, ALO3 & ALO4 w/DALI, OR 2000-4500 lumens w/SSAIR.
ETS	Not available with, QDS, ELR, E10WCP, E10WCPR, 347V, SSAIR, NLIGHT, NLIGHTER, NLTAIR2, NLTAIREM2, DALI, or D1 driver
SSAIR	Only available with D1 driver. Not available with CP, NLIGHT, NLIGHTER, NLTAIR2, NLTAIREM2, UGZ, or DALI drivers. Max 4500 lumens. Fixed lumens and CCT only. Not available with 2000-4500lm in conjunction with emergency battery packs.
NLIGHT	Must specify UGZ1. Not available with CP, QDS, SSAIR, ETS, UGZ, DALI, or D1 drivers. Not available with 347V.
NLIGHTER	Must specify UGZ1. Not available with CP, QDS, ELR, E10WCP, E10WCPR, DALI, or D1 drivers. Not available with 347V.
NLTAIR2	Must specify UGZ1. Not available with CP, QDS, SSAIR, ETS, UGZ, DALI, or D1 drivers. See UL 924 Sequence of Operation table. Non-emergency luminaires with this option can be used as a normal power sensing device for nLight AIR devices and luminaires with EM emergency options. Not available with 347V.
NLTAIREM2	Must specify UGZ1. Not available with CP, QDS, SSAIR, ETS, ELR, E10WCP, E10WCPR, DALI, D1 drivers. See UL 924 Sequence of Operation table.
WL	Not available with WW, All CP is wet location, except WW (Damp). IP55 rated. Not available with E10WCP
QDS	Must be specified for use with LBR_PFWQDS. Not Available with CP, emergency options, or 347V.
EC1, EC6	Not Available with CP, QDS, ELR, E10WCP, or E10WCPR.
AT	Standard for CP and IP55, not available with WW. Not available with E10WCP
CP	Not available with, QDS, EC1, EC6, ELR, E10WCPR, 347V, SSAIR, NLTAIR2, NLTAIREM2, D1 drivers. For new construction applications, must be specified with LBR_PFWCP.

LBR8

Accessories: Order as separate catalog number. Shipped separately.	
LBRGR910 **	Goof ring 9-3/4" to 10-3/4" for LBR8 (** specify BR or WR)
LBRCPGR910 **	Chicago Plenum Goof ring 9-3/4" to 10-3/4" for LBR8 (** specify BR or WR)
LBR08 AR LSS TRIM	8" clear, semi-specular reflector
LBR08 ** TRIM	8" reflector (** specify MS, WR, BR)
LBRW8 AR LSS TRIM	8" clear, semi-specular wallwash
LBRW8 ** TRIM	8" wallwash (** specify MS, WR, BR)
LBR46810HB FPAN U	Mounting plate 4"-10" unit pack
LBR46810HB FPAN J10	Mounting plate 4"-10" 10-pack
LBR SDT 347V 75W ASM	Field installed 347V Step-down transformer
SCA8	Sloped Ceiling Adapter. Degree of slope must be specified (5D, 10D, 15D, 20D, 25D, 30D). Ex: SCA8 10D.



Module	Mounting Frame Accessory	Compatible Fixture Options
LBR8	LBR8PF	QDS, EC1, EC6,
	LBR8PFW	Base fixture only
	LBR8PFW EM	ELR, E10WCPR, E10WCP, E10WRSTAR
	LBR8PFWQDS	QDS fixture only
LBR8WW	LBR8PF	QDS, EC1, EC6,
	LBR8PFW	Base fixture only
	LBR8PFW EM	ELR, E10WCPR, E10WRSTAR
	LBR8PFWQDS	QDS fixture only

Emergency Battery Pack Options - Field Installable

Battery Model Number	Wattage	Runtime (Minutes)	Lumen Output* @ 120 Lumens/Watt	Other
ILB CP07 2H A	7W	120	840	Storm Shelter / 2 Hour Runtime
ILB CP10 A	10W	90	1200	
ILBLP CP10 HE SD A+	10W	90	1200	Title 20, Self Diagnostic
ILBLP CP15 HE SD A+	15W	90	1800	Title 20, Self Diagnostic
ILB CP20 HE A	20W	90	2400	Title 20
ILB CP20 HE SD A	20W	90	2400	Title 20, Self Diagnostic
ILBHI CP10 HE SD A+	10W	90	1200	347-480V AC Input, Title 20, Self Diagnostic
ILBHI CP15 HE SD A+	15W	90	1800	347-480V AC Input, Title 20, Self Diagnostic

All the above are UL Listed products that are certified for field install external/remote to the fixture.
 *Minimum delivered lumen output to assist in product selection for increased fixture mounting height.
 The CP10 delivered emergency illumination outperforms legacy 1400 lumen fluorescent emergency ballast.
 Please contact us at techsupport@iotaengineering.com for any Emergency Battery related questions.

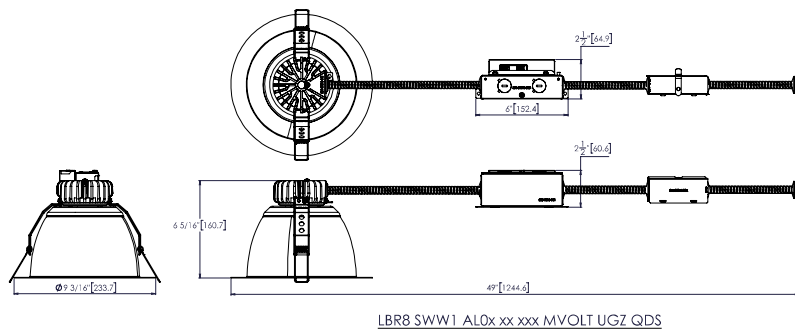
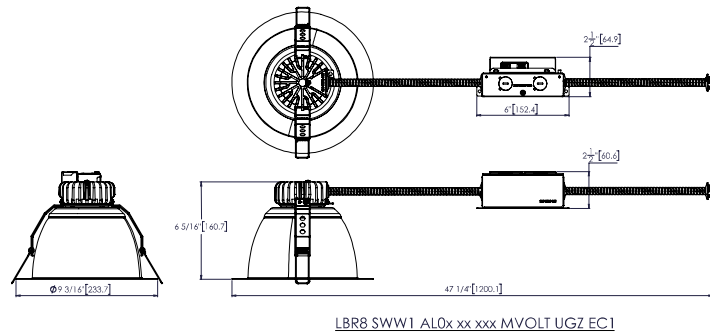
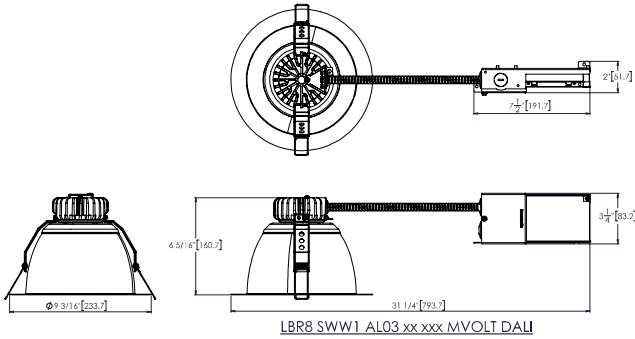
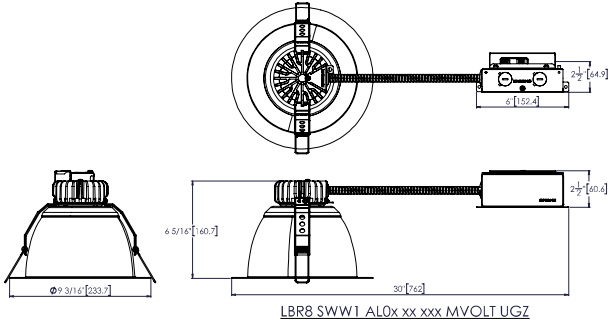
LBR8

PLENUM DEPTH TABLE				
Aperture Size/Output	Plenum Depth*	IC	Non-IC	Non-IC Marked Spacing
LBR8 500-1000 Lumen	5.81	X		
LBR8 1000-2000 Lumen	5.81		X	
LBR8 2000-3000 Lumen	-			24x24x9
LBR8 4000-5000 Lumen	-			24x24x9

*Above unfinished 1/2" ceiling plane

CEILING COVERAGE TABLE								
Series		Aperture	Trim Flange OD	Min ceiling opening	Ceiling Thickness	Max ceiling opening	Max Ceiling Opening with Goof Ring	Overall Goof Ring OD
LBR8	ROUND	7-1/6"	9-3/16"	7-3/4"	1/2"	8-7/8"	9-1/4"	11-1/4"
LBR8					1-1/2"		9-5/8"	

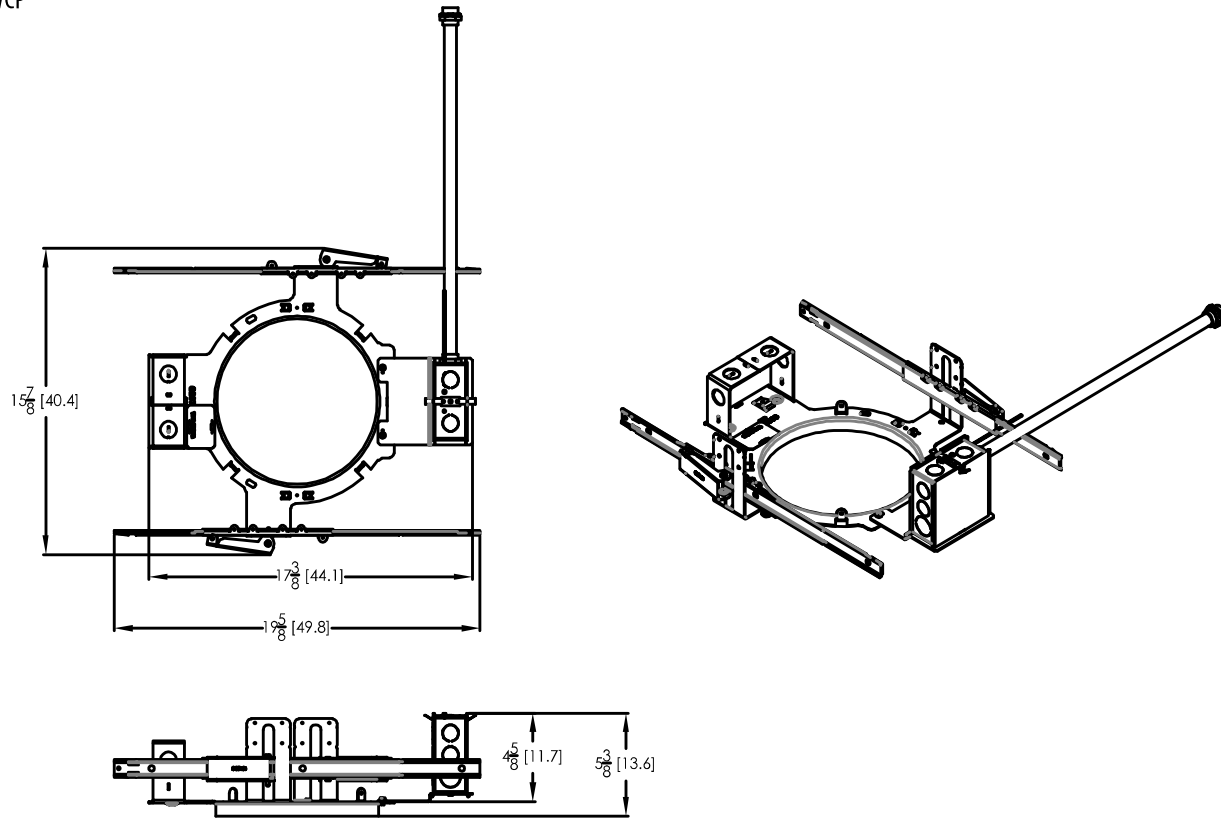
* All dimensions are inches (millimeters) unless otherwise noted.



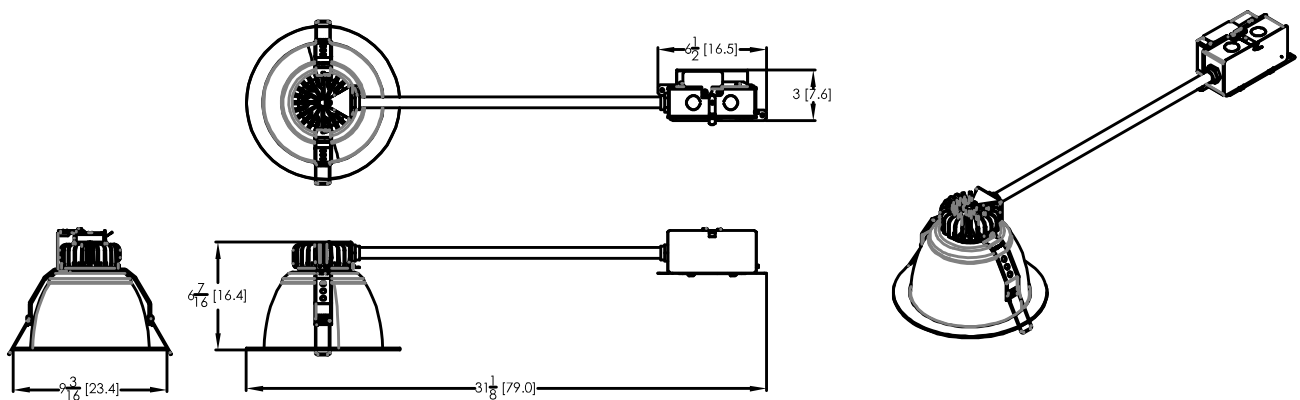
LBR8

* All dimensions are inches (millimeters) unless otherwise noted.

LBR8PFWCP



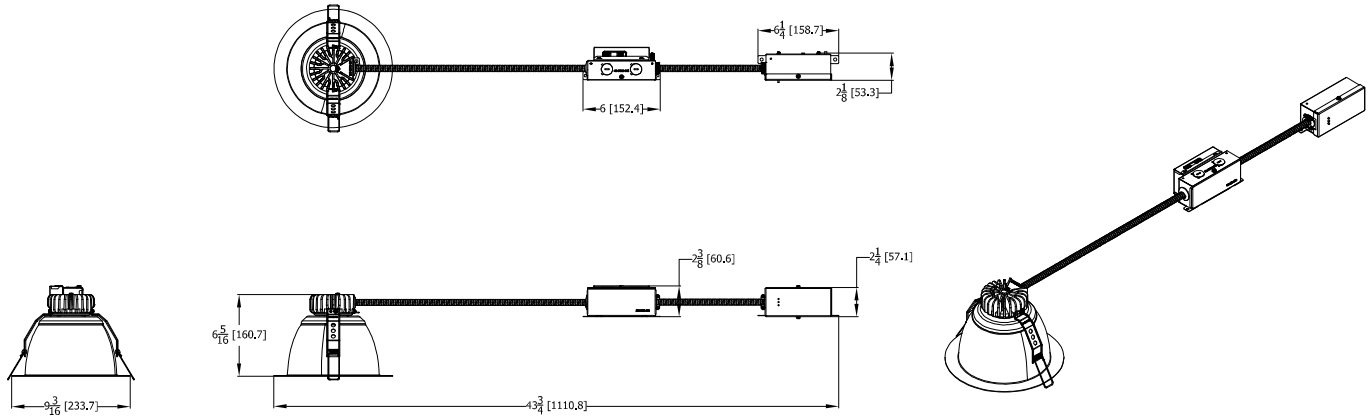
LBR8 SWW1 ALOx MVOLT UGZ CP



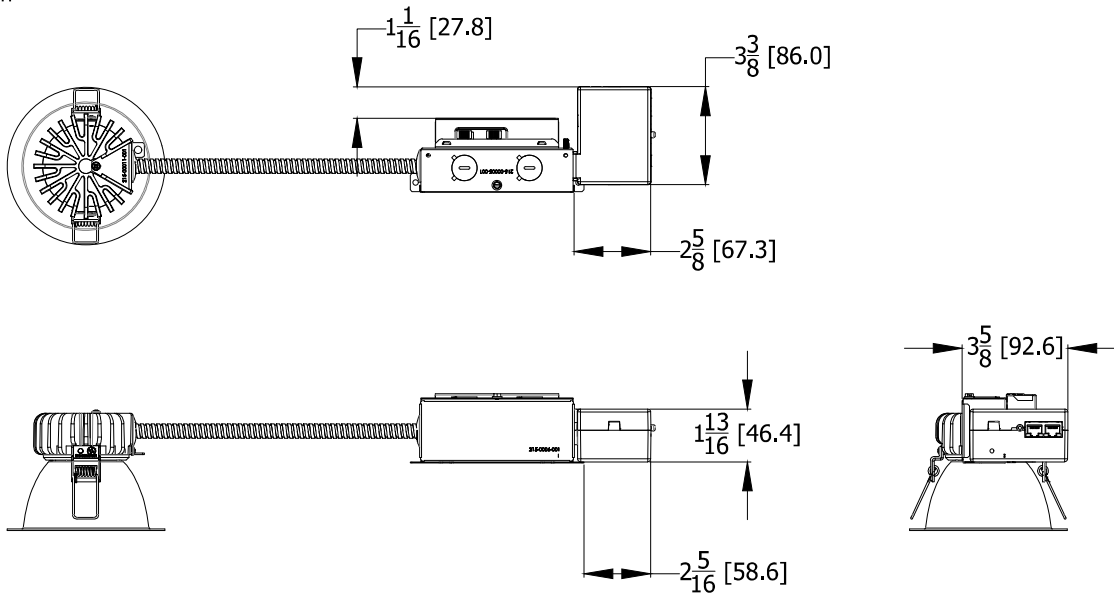
LBR8

* All dimensions are inches (millimeters) unless otherwise noted.

LBR8 ALOx SWW1 xx xxx 347 UGZ



LBRx nLIGHT

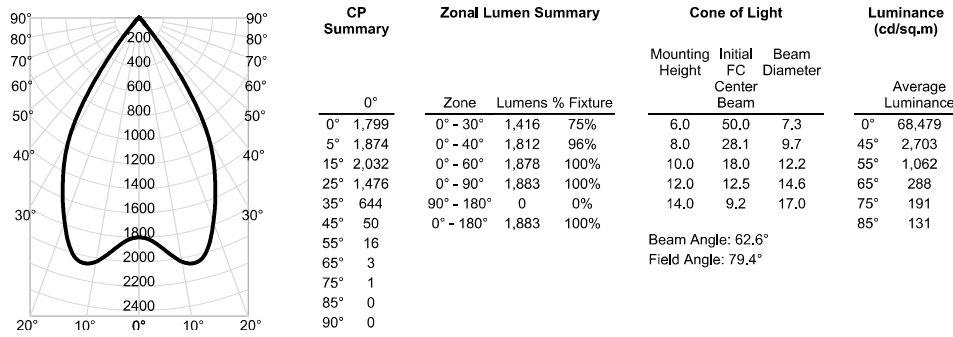


LBR8

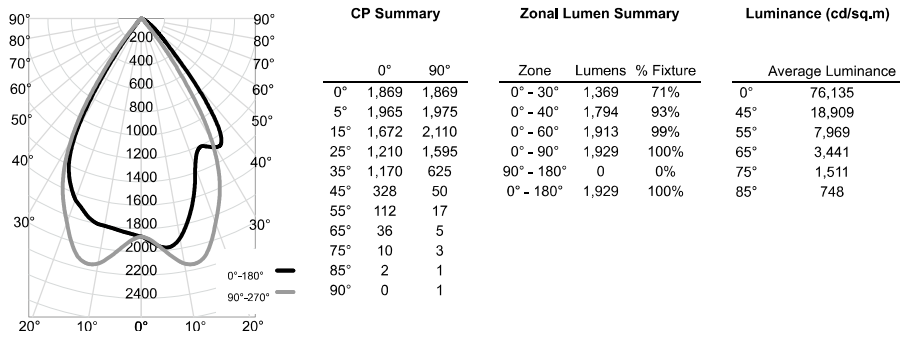
PHOTOMETRY

Distribution Curve Distribution Data Output Data Illuminance Data at 30" Above Floor for a Single Luminaire

LBR8 SWW1 ALO2 AR LSS MWD MVOLT UGZ, Input Watts: 18.1, Delivered Lumens: 1883, LPW: 104.0, S/MH: 1.05, Test No: 20-518-04



LBR8WW SWW1 ALO2 AR LSS WW, Input Watts: 18.7, Delivered Lumens: 1929, LPW: 103.2, S/MH: 0.88, Test No: 20-518-A2



LUMEN OUTPUT MULTIPLIERS - CCT			
3000K	3500K	4000K	5000K
0.98	1.0	1.01	1.03

LUMEN OUTPUT MULTIPLIERS - FINISH	
Clear Semi-spec (AR LSS)	1.0
Metallic Silver (MS)	0.84
White Painted (WR)	1.03
Black Painted (BR)	0.60

LUMEN OUTPUT MULTIPLIERS - CRI	
80	1.0
90	0.874

HOW TO ESTIMATE DELIVERED LUMENS IN EMERGENCY MODE

Use the formula below to estimate the delivered lumens in emergency mode

Delivered Lumens = 1.25 x P x LPW

P = Output power of emergency driver. P = 10W

LPW = Lumen per watt rating of the luminaire. This information is available on the ABL luminaire spec sheet.

The LPW rating is also available at Designlight Consortium.

DIMMER COMPATIBILITY

Not compatible with DALI or DMX dimmers. For specific compatible dimmers see below.

LINE VOLTAGE DIMMING:						
Type	Forward Phase	ALO1 (500-1000lm)	ALO2 (1000-2000lm)	ALO3 (2000-3000lm)	ALO4 (3000-5000lm)	Comment
MLV	Sensorswitch WPD	YES	YES	YES	YES	
MLV	Sensorswitch CMR PDT10 ADC VLP	YES	YES	YES	YES	
MLV	Synergy ISD 600LV	YES, 2x *	YES	YES	YES	* min 2 fixtures
INC	Synergy ISD 600I	YES, 2x *	YES	YES	YES	* min 2 fixtures
MLV	Lutron Glyder GLV-600	YES	YES	YES	YES	
INC	Leviton SureSlide 6633	YES	YES	YES	YES	
MLV	Lutron Diva DVLV-600P	YES	YES	YES	YES	
MLV	Lutron Skylark SLV-600P	YES	YES	YES	YES	
INC	Lutron RadioRA 2 10ND	YES	YES	YES	YES	
MLV	Leviton SureSlide 6613-PLW	YES	YES	YES	YES	
INC	Lutron Diva DVCL-153P	YES	YES	YES	YES	
MLV	Leviton IPM06	YES, 2x *	YES	YES	YES	* min 2 fixtures
INC	Leviton IPI06	YES, 2x *	YES	YES	YES	* min 2 fixtures
INC	Control4 C4-FPD 120	YES	YES	YES	YES	
Type	Reverse Phase Dimmer Bank	ALO1 (500-1000lm)	ALO2 (1000-2000lm)	ALO3 (2000-3000lm)	ALO4 (3000-5000lm)	
ELV	Lutron Nova T NTELV-600	YES	YES	YES	YES	
ELV	Lutron Diva DVELV 600P	YES	YES	YES	YES	
ELV	Lutron Maestro MAELV 600	YES	YES	YES	YES	
ELV	Leviton Vizia VPE06-1LX	YES	YES	YES	YES	
ELV	Leviton Illumatech IPE04	YES	YES	YES	YES	
ELV	Control4 C4-APD 120 REVERSE PHASE	YES	YES	YES	YES	
Type	Miscellaneous Dimmers	ALO1 (500-1000lm)	ALO2 (1000-2000lm)	ALO3 (2000-3000lm)	ALO4 (3000-5000lm)	
PHA	Lutron RadioRA2 RRD-6NA	YES	YES	YES	YES	
PHA	Lutron Maestro PRO LED+ RRD-PRO	YES	YES	YES	YES	
Type	Control Systems	ALO1 (500-1000lm)	ALO2 (1000-2000lm)	ALO3 (2000-3000lm)	ALO4 (3000-5000lm)	
MLV	Lutron LP-RPM-4U	YES	YES	YES	YES	
PHA	Lutron LP-RPM-4A	YES	YES	YES	YES	
MLV	Lutron GRAPHIC EYE QSGRJ-3P	YES	YES	YES	YES	
PHA	Lutron PA Power Module PPHM-PA-120	YES	YES	YES	YES	
ELV	Lutron nLight nSP5PCD ELV	YES	YES	YES	YES	

DIMMER COMPATIBILITY

Not compatible with DALI or DMX dimmers. For specific compatible dimmers see below.

0-10V DIMMING:							
Manufacturer	System Type	Description	P/N	ALO1 (500-1000lm)	ALO2 (1000-2000lm)	ALO3 (2000-3000lm)	ALO4 (3000-5000lm)
ACUITY	Wall Box	sensorswitch, dimming switch with multi-way option	SPODMRA	YES	YES	YES	YES
ACUITY	Wall Box	sensorswitch, wall switch sensor, occupancy controlled dimming	WSX D WH	YES	YES	YES	YES
ACUITY	Control System	nLight	nPP16D	YES	YES	YES	YES
ACUITY	Control System	nLight	nPS 80 EZ	YES	YES	YES	YES
ACUITY	Control System	nLight Air	rPP20 D	YES	YES	YES	YES
Lutron	Other	0-10V (sink or source) PowPak wireless dimming module	RMJ-5T-DV-B	YES	YES	YES	YES
Wattstopper	Control System	Digital single relay room controller (0-10V)	LMRC-211	YES	YES	YES	YES
Crestron	Control System	DIN Rail 0-10V fluorescent dimmer, 4 feeds, 4 channels (Green Light System)	DIN-4DIMFLV4	YES	YES	YES	YES
Lutron	Other	Grafik Eye 0-10V adapter	GRX-TVI	YES	YES	YES	YES
Leviton	Wall Box	Illumatech 0-10V	IP710-DLX	YES	YES	YES	YES
Lutron	Control System	Mounted in the Homeworks QS panel - 0-10V dimmer (sink or source)	GRX-TVM2	YES	YES	YES	YES
Lutron	Wall Box	Nova 0-10V wallbox dimmer (use with PP-120-H line voltage relay)	NTFTV	YES	YES	YES	YES
Lutron	Wall Box	Nova 0-10V wallbox dimmer (use with PP-120-H line voltage relay)	NTSTV-DV	YES	YES	YES	YES
Lutron	Wall Box	Nova T	NFTV	YES	YES	YES	YES
Leviton	Wall Box	Renior II 0-10V	AWSMG-7DW	YES	YES	YES	YES



Performance You Can Count On

SensorSwitch™ offers standalone wired and wireless lighting controls solutions designed for room-based applications. Our products offer reliable performance and ease of installation.

Sensorswitch.com

Wireless Embedded Controls



1. Install the luminaires with embedded controls
2. Insert the pairing tool into the pinhole on the wall switch; press and hold any button for 6 seconds.
3. Once paired, each fixture will individually dim down to 10% brightness. All products will be fully functional.



SensorSwitch
WSXA SSA

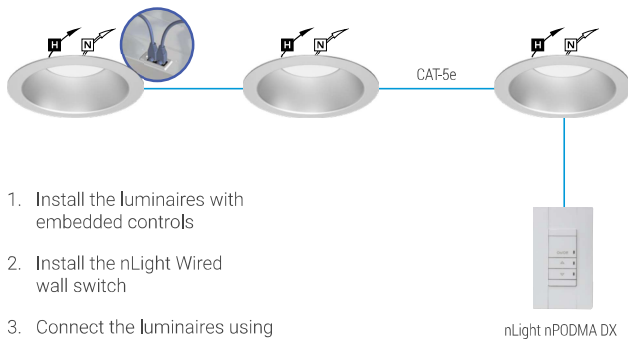


Single Lighting Controls Platform for Indoor & Outdoor Spaces

nLight® is your networked lighting controls platform, for indoor and outdoor applications, providing wired or wireless options. Scaling from room to campus-wide applications, it is the one platform that grows with your business today and tomorrow; to seamlessly address energy cost optimization, building code compliance, improved occupant comfort, and much more. nLight also interfaces with DALI®, BACnet®, DMX and additional third-party devices.

nLightcontrols.com

Wired Embedded Controls



1. Install the luminaires with embedded controls
2. Install the nLight Wired wall switch
3. Connect the luminaires using standard CAT-5e cables and the controls devices will automatically discover each other and work (plug and play)

Wireless Embedded Controls



1. Install the luminaires with embedded controls
2. Install the nLight AIR battery-powered wall switch
3. Use **CLAIRITY+** mobile app to pair the fixtures with the wall switch and if desired, customize the sensor settings

UL924 Sequence of Operation

The below information applies to all nLight AIR devices with an EM option.

- EM devices will remain at their high-end trim and ignore wireless lighting control commands, unless a normal-power-sensed (NPS) broadcast is received at least every 8 seconds.
- Using the **CLAIRITY+** mobile app, EM devices must be associated with a group that includes a normal power sensing device to receive NPS broadcasts.
- Only non-emergency rPP20, rLSXR, rSBOR, rSDGR, and nLight AIR luminaires with version 3.4 or later firmware can provide normal power sensing for EM devices. See specification sheets for control devices and luminaires for more information on options that support normal power sensing.