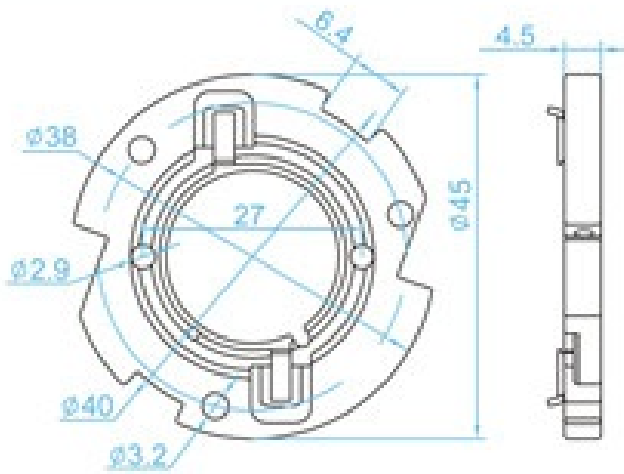


K905B



3A 70VDC T120



Body material: PBT (white)
Contact material: Copper nickel plated
Fixing Screw: M3