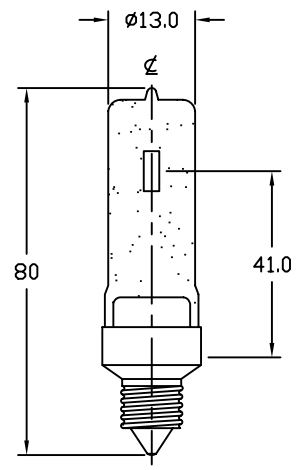


REVISIONS			
REV	DESCRIPTION	DATE	APPROVED



- NOTES:
1. ALL DIMENSIONS ARE IN MM.
 2. SEAL TEMP: SHOULD BE MAINTAINED BELOW 350°C
 3. THE DIMENSIONS AND SPECIFICATIONS OF PRODUCT LISTED IN THIS SHEET ARE SUBJECT TO CHANGE WITHOUT NOTICE FOR IMPROVEMENT.

ITEM	QTY	DESCRIPTION	CODE IDENT	PART NUMBER	REMARKS
LIST OF MATERIALS					
UNLESS OTHERWISE SPECIFIED DIMENSIONS ARE IN INCHES			CONTRACT NO.		
DECIMALS .X ± -			APPROVALS		
.XX ± -			DATE		
.XXX ± -			DRAWN R.AMPARO 09/01/99		
ANGLES ± -			CHKD D.GILCZYNSKI 09/01/99		
DRILLED HOLES PER AND 10387			ENGR		
REMOVE BURRS AND SHARP EDGES			MFG		
ALL DIMENSIONS AFTER PLATING			QUAL		
MATERIAL			DSGN ACTVY		
COMPOSITE			GOVT ACTVY		
FINISH			SIZE B		
			CODE IDENT NO. ESM		
			DWG NO. 1000360		
			SCALE NONE		
			WEIGHT		
			SHEET 1 OF 1		

USHIO AMERICA, INC.
5440 Cerritos Avenue Cypress, CA 90630

TITLE
ESM
JCV120V-250WGNSF

CHARACTERISTICS	
VOLTAGE	120 V
WATTAGE	250 W
COLOR TEMP.	3000 K
TOTAL LUMEN	4800 Lm
BASE TYPE	E11
AVERAGE LIFE	2000 HRS
FILAMENT TYPE	CC-8
BURN POSITION	Any

NEXT ASSY	USED ON

APPLICATION