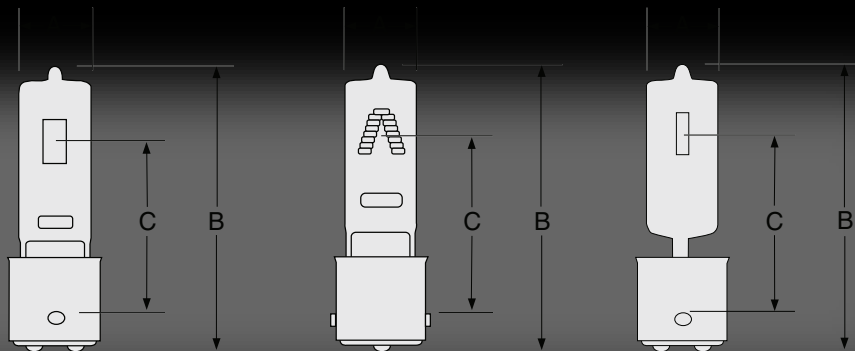


TUNGSTEN HALOGEN LAMPS • SINGLE ENDED BAYONET

Watts	Ushio Ordering Code	Ushio Lamp Code	Dimensions mm			Filament Type	Approx Lumens lm	Color Temp K	Avg Life h	Bulb Finish
			Dia (A)	OAL (B)	LCL (C)					
75	1000986	JCV120V-75WGB	12.0	59.0	35.0	CC-8	1200	2800	1000	Clear
100	1000968	JCV120V-100WGB	13.0	62.0	35.0	CC-8	1600	2800	2000	Clear
100	1000364	ESR, JCV120V-100WGB2	13.0	62.0	35.0	CC-2V	1800	2850	750	Clear
150	1000373	ETC, JCV120V-150WGB	13.0	62.0	35.0	CC-8	2800	2900	2000	Clear
150	1000376	ETF, JCV120V-150WGBF	13.0	62.0	35.0	CC-8	2700	2900	2000	Frosted
200	1001803	JCV230V-200WGB	15.0	63.0	35.1	CC-8	5000	2800	2000	Clear
250	1000372	ETB, JCV120V-250WGBF	13.0	76.0	41.0	CC-8	4800	3000	2000	Frosted
500	1000979	JCV120V-500WGB	13.0	87.0	54.0	CC-8	10450	2950	2000	Clear



BA15d

BA15d

Side View