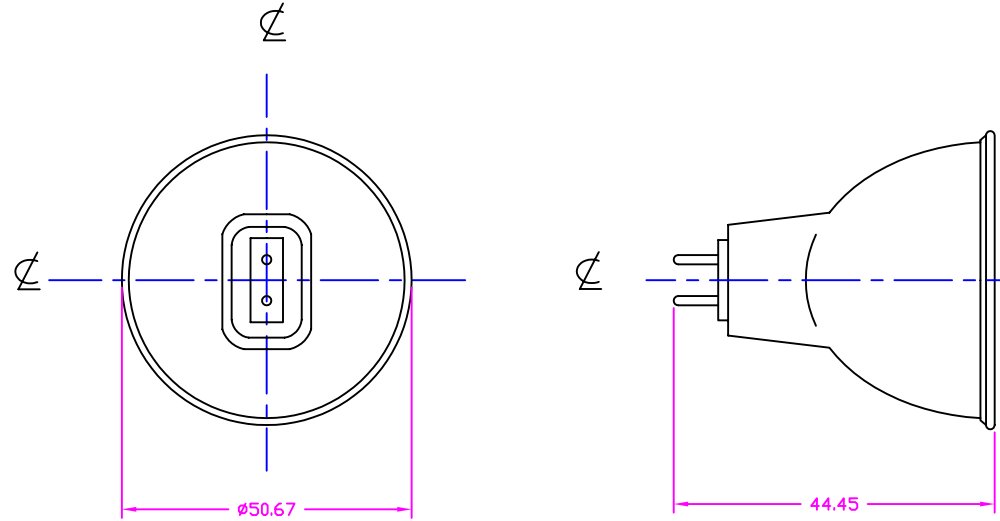


DWG NO. 1000318 SH 1

REVISIONS			
REV	DESCRIPTION	DATE	APPROVED



NOTES:

1. ALL DIMENSIONS ARE IN MM.
2. SEAL TEMP: SHOULD BE MAINTAINED BELOW 350°C
3. THE DIMENSIONS AND SPECIFICATIONS OF PRODUCT LISTED IN THIS SHEET ARE SUBJECT TO CHANGE WITHOUT NOTICE FOR IMPROVEMENT.

CHARACTERISTICS	
VOLTAGE	24 V
WATTAGE	250 W
COLOR TEMP	3400 K
AVERAGE LIFE	50 HRS
BASE TYPE	GX5.3
REFLECTOR TYPE	Specular
FILAMENT TYPE	CC-6
BURN POSITION	BD/Hor

ITEM	QTY	DESCRIPTION	CODE IDENT	PART NUMBER	REMARKS
LIST OF MATERIALS					
UNLESS OTHERWISE SPECIFIED DIMENSIONS ARE IN INCHES		CONTRACT NO.		USHIO AMERICA, INC. 10550 Camden Dr. Cypress, CA 90630	
DECIMALS .X	± -	APPROVALS	DATE		
.XX	± -	DRAWN	R.AMPARO 08/24/99	TITLE ELC JCR24V-250W	
.XXX	± -	CHKD	D.GILCZYNSKI 08/24/99		
ANGLES	± -	ENGR			
DRILLED HOLES PER AND 10387 REMOVE BURRS AND SHARP EDGES ALL DIMENSIONS AFTER PLATING		MFG			
MATERIAL		QUAL		SIZE	CODE IDENT NO.
COMPOSITE		DSGN ACTVY		B	ELC
FINISH		GOV'T ACTVY		SCALE	1000318
				NONE	WEIGHT
					SHEET 1 OF 1

NEXT ASSY	USED ON

APPLICATION