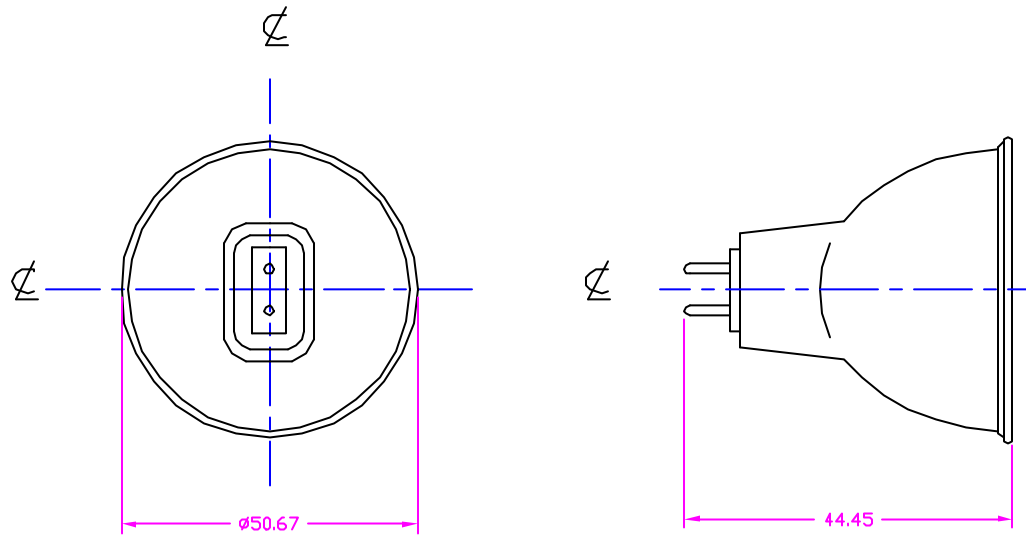


DWG NO. 1000297 SH 1

REVISIONS			
REV	DESCRIPTION	DATE	APPROVED



NOTES:

1. ALL DIMENSIONS ARE IN MM UNLESS OTHERWISE SPECIFIED.
2. SEAL TEMP SHOULD BE MAINTAINED BELOW 350°C.
3. THE DIMENSIONS AND SPECIFICATIONS OF PRODUCT LISTED IN THIS SHEET ARE SUBJECT TO CHANGE WITHOUT NOTICE FOR IMPROVEMENT.

CHARACTERISTICS	
VOLTAGE	21 V
WATTAGE	150 W
COLOR TEMP	3400 K
AVERAGE LIFE	40 HRS
BASE TYPE	GX5.3
REFLECTOR TYPE	Specular
FILAMENT TYPE	CC-6
BURN POSITION	BD/Hor

ITEM	QTY	DESCRIPTION	CODE IDENT	PART NUMBER	REMARKS
LIST OF MATERIALS					
UNLESS OTHERWISE SPECIFIED DIMENSIONS ARE IN INCHES		CONTRACT NO.		<b>USHIO AMERICA, INC.</b> 10550 Camden Dr. Cypress, CA 90630	
DECIMALS .X ± - .XX ± - .XXX ± - ANGLES ± - DRILLED HOLES PER AND 10307 REMOVE BURRS AND SHARP EDGES ALL DIMENSIONS AFTER PLATING		APPROVALS      DATE DRAWN R.AMPARO      08/24/99 CHKD D.GILCZYNSKI      08/24/99 ENGR MFG			
MATERIAL		QUAL		SIZE	CODE IDENT NO.
COMPOSITE		DSGN ACTVY		B	EJA
FINISH		GOV'T ACTVY		SCALE	WGT
APPLICATION		NONE		DWG NO. 1000297	
NEXT ASSY      USED ON		SHEET		1 OF 1	

