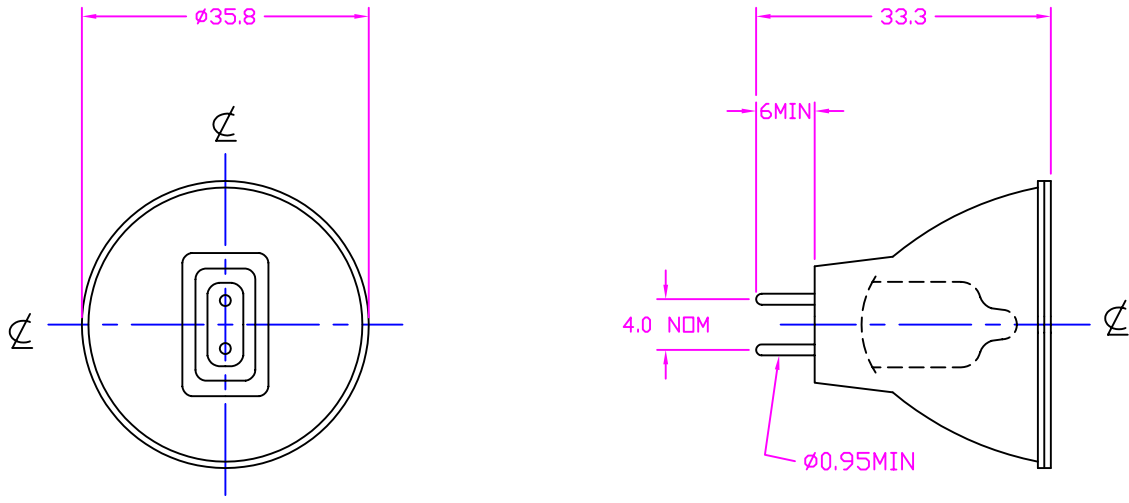


REVISIONS			
REV	DESCRIPTION	DATE	APPROVED



NOTES:

1. ALL DIMENSIONS ARE IN MM.
2. SEAL TEMP: SHOULD BE MAINTAINED BELOW 350°C
3. THE DIMENSIONS AND SPECIFICATIONS OF PRODUCT LISTED IN THIS SHEET ARE SUBJECT TO CHANGE WITHOUT NOTICE FOR IMPROVEMENT.

CHARACTERISTICS	
VOLTAGE	6 V
WATTAGE	20 W
CANDLE POWER	1500 cd
COLOR TEMP	3200 K
AVERAGE LIFE	50 HR
BEAM SPREAD	20°
FILAMENT	C-6
BASE	GZ4

ITEM	QTY	DESCRIPTION	CODE IDENT	PART NUMBER	REMARKS
LIST OF MATERIALS					
UNLESS OTHERWISE SPECIFIED DIMENSIONS ARE IN INCHES DECIMALS .X ± - .XX ± .XXX ± ANGLES ± DRILLED HOLES PER AND 10387 REMOVE BURRS AND SHARP EDGES ALL DIMENSIONS AFTER PLATING		CONTRACT NO.		USHIO AMERICA, INC. 5440 Cerritos Avenue Cypress, CA 90630 TITLE JCR/M6V-20W MR-11 HALOGEN LAMP	
MATERIAL COMPOSITE		APPROVALS			
FINISH		DATE			
APPLICATION		DRAWN R.AMPARO 05/26/00			
NEXT ASSY		ENGR D.GILCZYNSKI 05/26/00		SIZE B	
USED ON		MFG		CODE IDENT NO. NONE	
APPLICATION		QUAL		DWG NO. 1000934	
		DSGN ACTVY		SCALE NONE	
		GOVT ACTVY		WEIGHT	
				SHEET 1 OF 1	

