

4

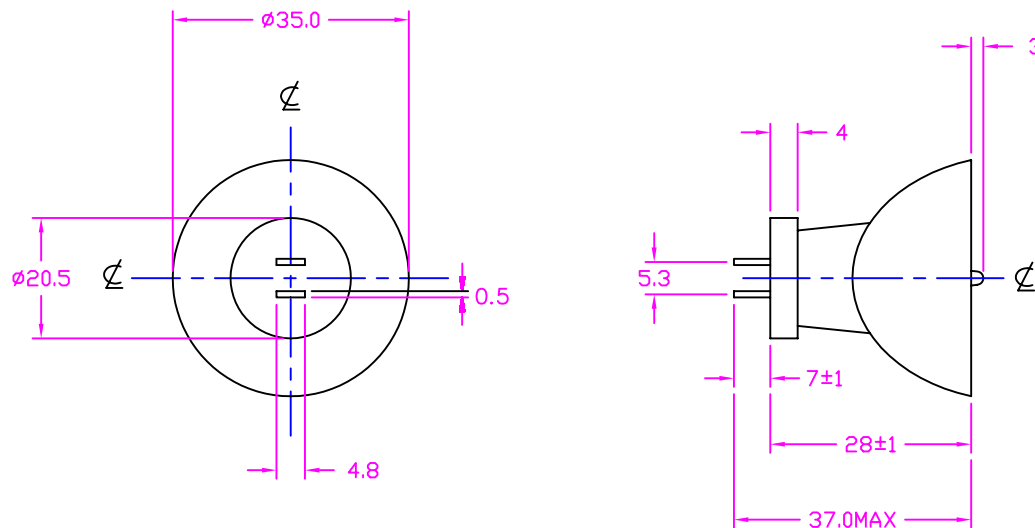
3

DWG NO. 1000921 SH 1

1

REVISIONS

REV	DESCRIPTION	DATE	APPROVED
-----	-------------	------	----------



NOTES:

- ALL DIMENSIONS ARE IN MM.
- SEAL TEMP: SHOULD BE MAINTAINED BELOW 350°C
- THE DIMENSIONS AND SPECIFICATIONS OF PRODUCT LISTED IN THIS SHEET ARE SUBJECT TO CHANGE WITHOUT NOTICE FOR IMPROVEMENT.

ITEM	QTY	DESCRIPTION	CODE IDENT	PART NUMBER	REMARKS
LIST OF MATERIALS					
UNLESS OTHERWISE SPECIFIED DIMENSIONS ARE IN INCHES DECIMALS .X \pm - .XX \pm .XXX \pm ANGLES \pm DRILLED HOLES PER AND 10387 REMOVE BURRS AND SHARP EDGES ALL DIMENSIONS AFTER PLATING			CONTRACT NO.		USHIO AMERICA, INC. 10550 Camden Dr. Cypress, CA 90630
MATERIAL COMPOSITE			APPROVALS		
FINISH			DATE		TITLE JCR/M12V-100W MR-11 DICROIC REFLECTOR
			DRAWN R.AMPARO 02/08/00		
			CHKD D.GILCZYNSKI 02/08/00		
			ENGR		
			MFG		
			QUAL		SIZE B
			DSGN ACTVY		CODE IDENT NO.
			GOVT ACTVY		DWG NO. 1000921
					SCALE NONE
					WEIGHT
					SHEET 1 OF 1

CHARACTERISTICS	
VOLTAGE	12 V
WATTAGE	100 W
WD	26.5
AVERAGE LIFE	25 HRS
BASE TYPE	GX5.3
BURNING POSTION	BD/HOR
FILAMENT TYPE	C-8

APPLICATION	NEXT ASSY	USED ON

4

3

1

2

1

CAD