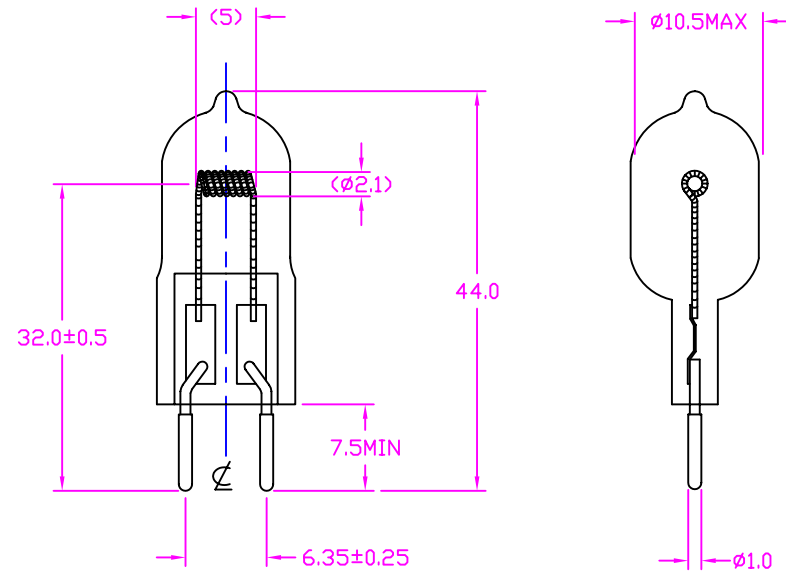


REVISIONS

REV	DESCRIPTION	DATE	APPROVED
-----	-------------	------	----------



NOTES:

1. ALL DIMENSIONS ARE IN MM.
2. SEAL TEMP: SHOULD BE MAINTAINED BELOW 350°C
3. THE DIMENSIONS AND SPECIFICATIONS OF PRODUCT LISTED IN THIS SHEET ARE SUBJECT TO CHANGE WITHOUT NOTICE FOR IMPROVEMENT.

CHARACTERISTICS	
VOLTAGE	24 V
WATTAGE	50 ±4.0 W
LUMEN OUTPUT	750±75 Lm
COLOR TEMP.	(2950) K
BASE TYPE	G6.35
AVERAGE LIFE	2000 HRS
FILAMENT TYPE	CC-6
BURN POSITION	ANY

ITEM	QTY	DESCRIPTION	CODE IDENT	PART NUMBER	REMARKS
LIST OF MATERIALS					
UNLESS OTHERWISE SPECIFIED DIMENSIONS ARE IN INCHES		CONTRACT NO.		USHIO AMERICA, INC. 5440 Cerritos Avenue Cypress, CA 90630	
DECIMALS .X ± - .XX ± - .XXX ± -		APPROVALS			
ANGLES ± -		DATE		TITLE JC24V-50W/OL HALOGEN LAMP	
DRILLED HOLES PER AND 10387 REMOVE BURRS AND SHARP EDGES ALL DIMENSIONS AFTER PLATING		DRAWN			
MATERIAL COMPOSITE		CHKD		SIZE B	
FINISH		ENGR			
APPLICATION		MFG		CODE IDENT NO. 1000848	
NEXT ASSY		GOVT ACTVY			
USED ON		DSGN ACTVY		DWG NO. 1000848	
APPLICATION		SCALE			
		NONE		SHEET 1 OF 1	
		WEIGHT			

