

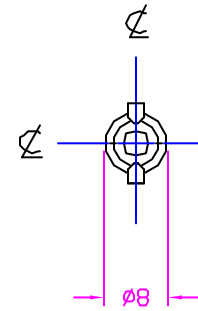
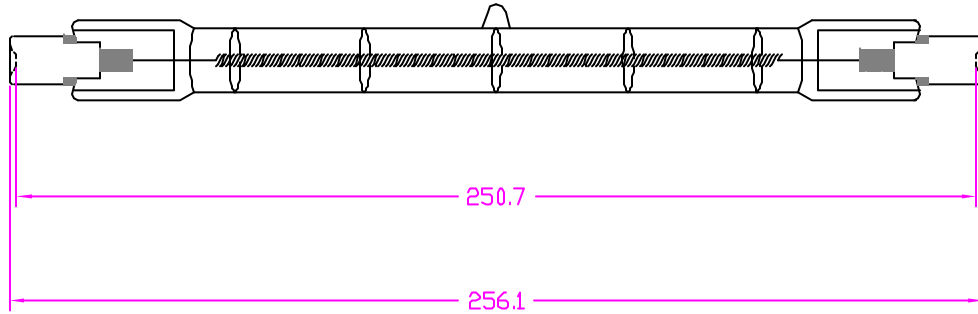
4

3

DWG NO. 1000243 SH 1

1

REVISIONS			
REV	DESCRIPTION	DATE	APPROVED



NOTES:

1. ALL DIMENSIONS ARE IN MM UNLESS OTHERWISE SPECIFIED.
2. SEAL TEMP SHOULD BE MAINTAINED BELOW 350°C.
3. THE DIMENSIONS AND SPECIFICATIONS OF PRODUCT LISTED IN THIS SHEET ARE SUBJECT TO CHANGE WITHOUT NOTICE FOR IMPROVEMENT.

CHARACTERISTICS	
VOLTAGE	240 V
WATTAGE	1500 W
LUMENS	33000 Lm
COLOR TEMP	3050 K
AVERAGE LIFE	2000 HRS
FILAMENT TYPE	C-B
BASE TYPE	R7S-12
BULB FINISH	CLEAR
BURNING POSITION	Hor ±4°

ITEM	QTY	DESCRIPTION	CODE IDENT	PART NUMBER	REMARKS
LIST OF MATERIALS					
UNLESS OTHERWISE SPECIFIED DIMENSIONS ARE IN INCHES DECIMALS .X ± - .XX ± .XXX ± ANGLES ± DRILLED HOLES PER AND 10387 REMOVE BURRS AND SHARP EDGES ALL DIMENSIONS AFTER PLATING		CONTRACT NO.		USHIO AMERICA, INC. 5440 Cerritos Ave. Cypress, CA 90630 TITLE DYD, JP240V-1500WB DOUBLE ENDED HALOGEN LAMP	
		APPROVALS			
		DATE			
		DRAWN R.AMPARO 02/23/01			
		CHKD K.CORDERO 02/23/01			
		ENGR			
		MFG			
		QUAL			
		DSGN ACTVY			
		GOV'T ACTVY			
MATERIAL COMPOSITE				SIZE B	CODE IDENT NO. DYD
FINISH				DWG NO. 1000243	
NEXT ASSY				SCALE NONE	WEIGHT
USED ON				SHEET 1 OF 1	
APPLICATION					

4

3

2

1

CAD