



Lampholders

Stay Connected

Commonly referred to as sockets, Ushio America's lampholder line consists of products that are the key performance drivers of lighting systems. These lampholders offer peace of mind and reliability thanks to their safe connections to electrical power sources. Designed for optimum performance with their designated base types, the Ushio lampholder product line boasts a unique construction with exceptional thermal management properties.

From stage, studio and film environments, to store displays, this line covers a wide range of usage. No matter the application, Ushio products will secure your lamps and keep you connected. For any custom order inquiries, please contact your Ushio sales representative.

FEATURES & BENEFITS

- Variety of Industry Applications
 - General Illumination
 - Stage, Studio and Television
 - Scientific / Medical
 - Heater
- Thermal Management Design
- Quality Materials
- Long Lasting Assemblies
- UL Recognized Lampholders in Product Line

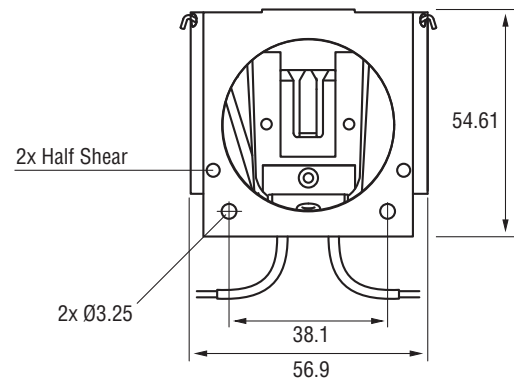
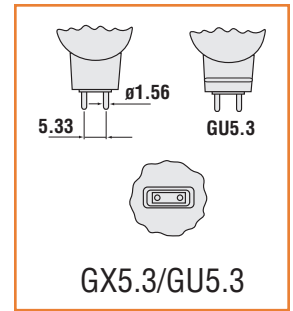
APPLICATIONS

- General Illumination
- Stage, Studio and Television
- Scientific / Medical
- Heater

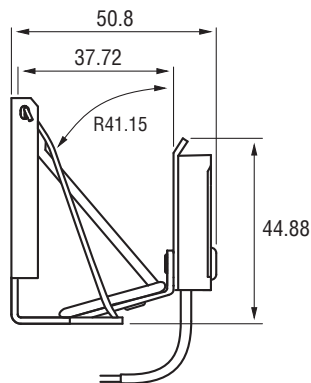
SPECIFICATIONS

S-221 (Item#1004025)

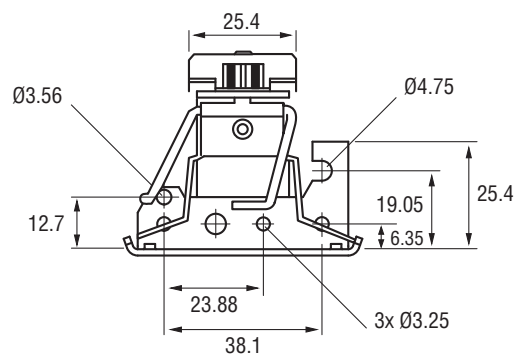
- Description: S-221, GU5.3/GX5.3 LH
- Wattage (W): 750
- Voltage (V): 300
- Max. Operating Temp.: 250° C
- Body Material: Steatite
- Wire Length (mm / in): 304.8 / 12
- Wire Specs: UL 3122, Silicone Rubber, AWG 18, 200° C, 300V
- Lamp Types: 2-Pin Base (Round Pins) - MR16
- Lamp Bases: GU5.3, GX5.3
- UL Recognized Component
- *For custom lead wires, please contact your Ushio sales rep.*



Front View



Side View



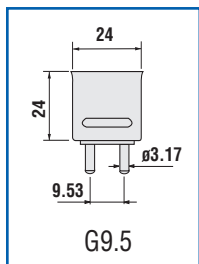
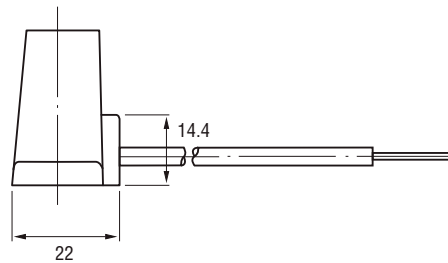
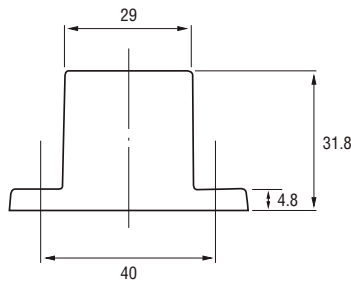
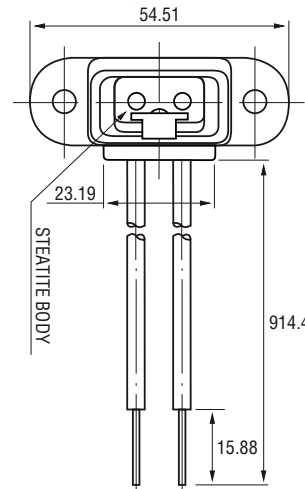
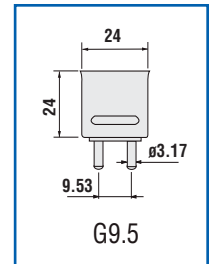
Back View

All dimensions are measured in millimeters unless otherwise noted.

Order and Inquiries • Toll-free: 1.800.838.7446 • Specifications subject to change without prior notice. Visit www.ushio.com for more info.

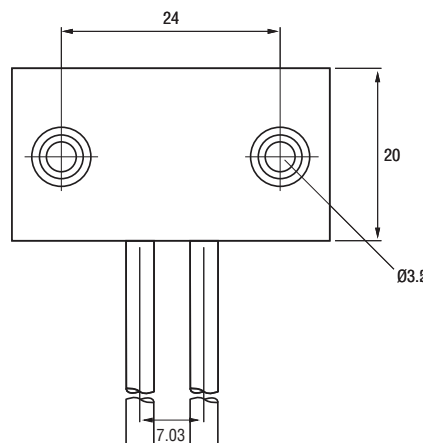
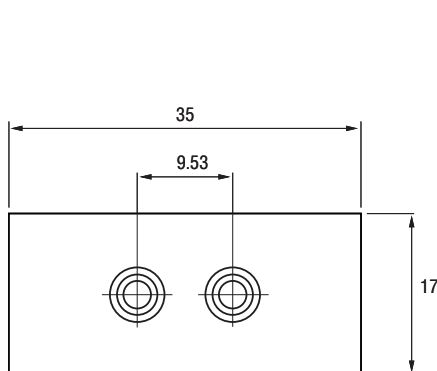
C-3 (Item#1000113)

- Description: C-3, G9.5 LH
- Wattage (W): 1000
- Voltage (V): 250
- Max. Operating Temp.: 200° C
- Body Material: Steatite
- Wire Length (mm / in): 914.4 / 36
- Wire Specs: UL 1815, PTFE (Teflon), AWG 18, 250° C, 300V
- Lamp Types: Medium 2-Pin Base (JCD, JCV)
- Lamp Bases: G9.5
- *For custom lead wires, please contact your Ushio sales rep.*



J-10 (Item#1000679)

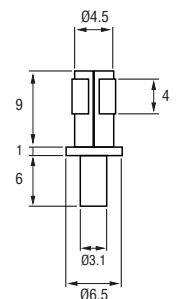
- Description: J-10, G9.5 LH
- Wattage (W): 1250
- Voltage (V): 125
- Max. Operating Temp.: 180° C
- Body Material: Steatite
- Wire Length (mm / in): 304.8 / 12
- Wire Specs: UL 3068, Silicone Rubber, AWG 16, 150° C, 300V
- Lamp Types: Medium 2-Pin Base (JCD, JCV)
- Lamp Bases: G9.5
- *For custom lead wires, please contact your Ushio sales rep.*



J-10 Accessory: Item#1002225

3.17 Contacts for J-10, G9.5 LH

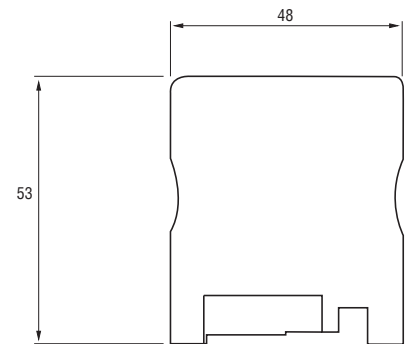
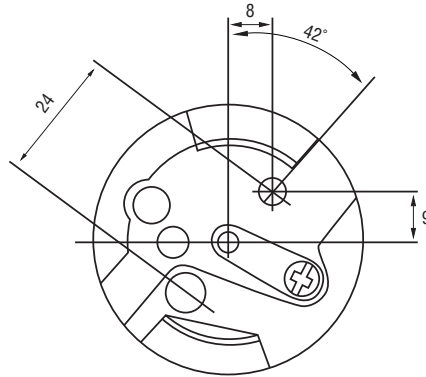
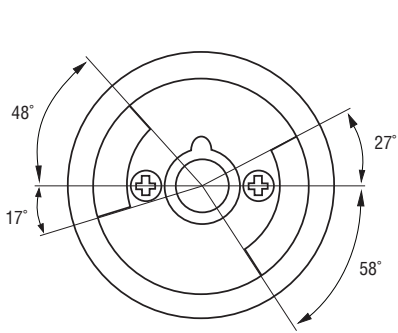
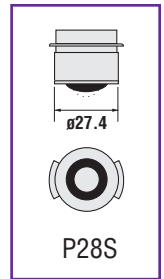
* Special Order Item



SPECIFICATIONS

P28S (Item#1001264)

- Description: P28S LH
- Wattage (W): 2500
- Voltage (V): 250
- Max. Operating Temp.: 250° C
- Body Material: Porcelain
- Lamp Types: Medium Prefocus (JCS, JS)
- Lamp Bases: P28S



All dimensions are measured in millimeters unless otherwise noted.

USHIO