



# Mark 7 0-10V

## MARK 7 0-10V IZT4PSP32G35M

The Mark 7 0–10V series of dimmable electronic ballasts offer maximum versatility by incorporating separate control leads for use with a wide array of controllers, including occupancy sensors, daylight harvesting controls, and building management systems from more than 40 manufacturers. When paired with linear fluorescent and 4-pin compact fluorescent lamps, these ballasts optimize the benefits of such popular sustainable lighting techniques as daylight harvesting, occupancy sensing, and load shedding to satisfy the need for an affordable, flexible and versatile controllable lighting solution.

### Product data

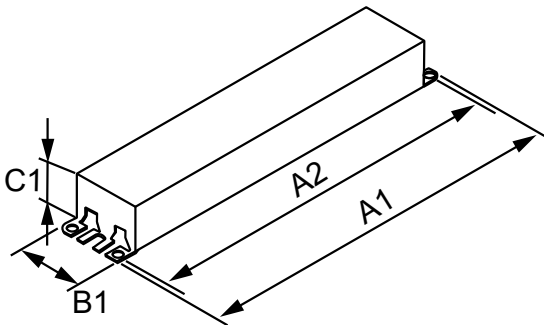
General Information		Input Current (Min)	
Lamp Type	F32T8		0.40 A
Number Of Lamps	4 piece/unit	Input Power (Max)	114 W
Ballast Type	Dimmable Fluorescent	Input Power (Min)	24 W
Base Model	IZT4PSP32G	Rated Lamp Power	32 W
Suitable For Outdoor Use	Yes		
Automatic Restart	Yes		
Operating and Electrical		Wiring	
Input Voltage	120 to 277 V	Color Input Terminals	Black, White, Violet and Gray
Input Frequency	50 to 60 Hz	Color Output Terminals	RED, YEL, BLU, BLU/WHT & RED/WHT
Total Harmonic Distortion USA	10 %	Wire Striplength	0.375 mm
Ignition Method	Programmed Start	Control Wire Gauge	18AWG
Crestfactor (Nom)	1.7	Lamp Connection	Parallel
Ignition Time (Nom)	1.5 s	Wire Length By Color	No wires
Ballast Factor (Max)	0.88	Wire Gauge (Nom)	18AWG mm
Ballast Factor (Min)	0.05	Wire Type	Solid
Power Factor (Nom)	0.99	Remote Wiring Configuration Allowed	No
Input Current (Max)	0.95 A	Tandem Wiring Configuration Allowed	No
		Through Wiring Configuration Allowed	Yes
		Max Ballast-Lamp Distance Remote Wiring	No Remote
		Max Ballast-Lamp Distance Tandem Wiring	No Tandem

## Mark 7 0-10V

<b>Max Ballast-Lamp Distance Through Wiring</b>	Red Blue BLU/WHT RED/WHT = 5'
<b>Connector Type</b>	Poke-In
<b>Temperature</b>	
<b>T-Case Maximum (Nom)</b>	70 °C
<b>Mechanical and Housing</b>	
<b>Housing Material</b>	Metal
<b>Housing</b>	G
<b>Housing Dimensions</b>	16.7" x 1.7" x 1.18"
<b>Approval and Application</b>	
<b>EMC Immunity Standard</b>	FCC Consumer
<b>Approval Marks</b>	CSA certificate UL certificate CEC Listing CEE Rated NEMA Premium RoHS Compliant

<b>Hum And Noise Level</b>	A
<b>UL Recognized</b>	No
<b>Product Data</b>	
<b>Order product name</b>	MARK 7 0-10V IZT4PSP32G35M
<b>EAN/UPC - Product</b>	781087130766
<b>Order code</b>	913701251002
<b>Numerator - Quantity Per Pack</b>	1
<b>Numerator - Packs per outer box</b>	6
<b>Material Nr. (12NC)</b>	913701251002
<b>Net Weight (Piece)</b>	1.212 kg

### Dimensional drawing



MARK 7 0-10V IZT4PSP32G35B

Product	A1	A2	B1	C1
---------	----	----	----	----

