



Optanium T5HO

OPTANIUM IOP4PSP542LSG35M

Our new addition to our high-performance, high efficiency Optanium ballasts family, these new programmed start parallel ballasts for T5HO lamps are now available as parallel-wired which provides independent lamp operation within the fixture. When one lamp reaches its end-of-life (EOL) the remaining lamps stay illuminated, which means you change out only the lamps that need to be replaced.

Product data

General Information		Rated Lamp Power	54W W
Lamp Type	F54T5/HO	Wiring	
Number Of Lamps	3/4 piece/unit	Color Input Terminals	No terminals
Ballast Type	Electronic Fluorescent	Color Output Terminals	No terminals
Base Model	IOP4PSP542LSG	Wire Striplength	0.50/0.375 mm
Suitable For Outdoor Use	Yes	Lamp Connection	Parallel
Automatic Restart	Yes	Wire Length By Color	See data sheet
Operating and Electrical		Wire Gauge (Nom)	18AWG mm
Input Voltage	120 to 277 V	Wire Type	Solid
Input Frequency	50 to 60 Hz	Remote Wiring Configuration Allowed	Yes
Total Harmonic Distortion USA	10 %	Tandem Wiring Configuration Allowed	Yes
Power (Rated) (Nom)	54 W	Through Wiring Configuration Allowed	Yes
Ignition Method	Programmed Start	Max Ballast-Lamp Distance Remote Wiring	20'
Crestfactor (Nom)	1.6	Max Ballast-Lamp Distance Tandem Wiring	Red & Blue = 20'
Ignition Time (Nom)	1.5 s	Max Ballast-Lamp Distance Through Wiring	Red & Blue = 20'
Ballast Factor (Nom)	1	Connector Type	No connector
Power Factor (Nom)	0.98	Temperature	
Input Current (Max)	1.96 A	T-Case Maximum (Nom)	70 °C
Input Current (Min)	0.83 A		
Input Power (Nom)	235-229 W		

Optanium T5HO

Mechanical and Housing

Housing Material	Metal
Housing	G
Housing Dimensions	16.7" x 1.7" x 1.18"

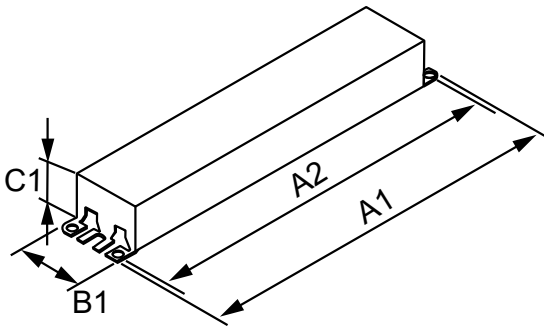
Approval and Application

EMC Immunity Standard	FCC Non-Consumer
Approval Marks	CSA certificate UL certificate CEC Listing RoHS Compliant
Hum And Noise Level	A
UL Recognized	No

Product Data

Order product name	OPTANIUM IOP4PSP542LSG35M
EAN/UPC - Product	781087086049
Order code	913701214202
Numerator - Quantity Per Pack	1
Numerator - Packs per outer box	6
Material Nr. (12NC)	913701214202
Net Weight (Piece)	967.000 g

Dimensional drawing



ELE BALLAST (4) F54T5/HO 120-277V

Product	A1	A2	B1	C1
---------	----	----	----	----

