



# Optanium T5

## OPTANIUM IOP2S28115SC35M

Optanium ballasts for T5 lamps are part of our effort to promote environmental responsibility through Smart Solutions - energy efficient products, lighting systems, services and expertise through Philips Advance branded products.

### Product data

General Information	
Lamp Type	F28T5
Number Of Lamps	1/2 piece/unit
Ballast Type	Electronic Fluorescent
Base Model	IOP2S28115SC
Suitable For Outdoor Use	Yes
Automatic Restart	Yes
Operating and Electrical	
Input Voltage	120 to 277 V
Input Frequency	50 to 60 Hz
Total Harmonic Distortion USA	10 %
Ignition Method	Programmed Start
Crestfactor (Nom)	1.6
Ignition Time (Nom)	1.5 s
Ballast Factor (Nom)	1.15
Power Factor (Nom)	0.98
Input Current (Max)	0.60 A
Input Current (Min)	0.26 A
Input Power (Nom)	71-69 W
Rated Lamp Power	28 W

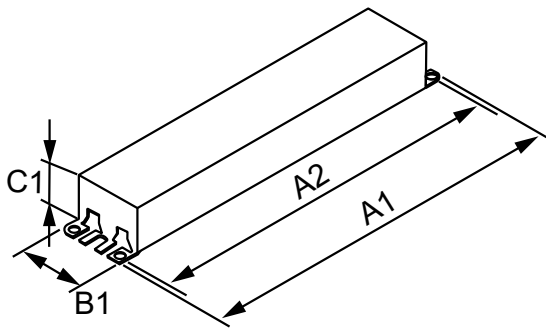
Wiring	
Color Input Terminals	No terminals
Color Output Terminals	No terminals
Wire Striplength	0.50/0.375 mm
Lamp Connection	Series
Wire Length by Color	See data sheet
Wire Gauge (Nom)	18AWG mm
Wire Type	Solid
Remote Wiring Configuration Allowed	Yes
Tandem Wiring Configuration Allowed	Yes
Through Wiring Configuration Allowed	Yes
Max Ballast-Lamp Distance Remote Wiring	20'
Max Ballast-Lamp Distance Tandem Wiring	Any = 20'
Max Ballast-Lamp Distance Through Wiring	Any = 20'
Connector Type	No connector
Temperature	
T-Case Maximum (Nom)	70 °C
Mechanical and Housing	
Housing Material	Metal
Housing	SC

## Optanium T5

Housing Dimensions	9.5" x 1.7" x 1.18"
<b>Approval and Application</b>	
EMC Immunity Standard	FCC Non-Consumer
Approval Marks	CSA certificate UL certificate CEC Listing RoHS Compliant
Hum And Noise Level	A
UL Recognized	No
<b>Product Data</b>	
Order product name	OPTANIUM IOP2S28115SC35M

EAN/UPC - Product	781087057667
Order code	913710815102
Numerator - Quantity Per Pack	1
Numerator - Packs per outer box	20
Material Nr. (12NC)	913710815102
Net Weight (Piece)	395.000 g

### Dimensional drawing



ELE BALLAST (2) F28T5 120-277V

Product	A1	A2	B1	C1
OPTANIUM IOP2S28115SC35M	9.5 in	8.90 in	1.7 in	1.18 in

