



Centium T5HO

CENTIUM ELE BALLAST (2) F39T5/HO 120-277V

No matter what the conditions require, operating at a variety of line voltages between 120V to 480V, whether located in high ambient temperature environments (requiring a 90° C rating) or not, our family of Philips Advance Centium ballasts are ideal for a wide variety of applications.

Product data

• General Information

Lamp Type	F39T5/HO
Number of Lamps	1/2 piece/unit
Ballast Type	Electronic Fluorescent
Base Model	ICN2S39N
Suitable For Outdoor Use	Yes
Automatic Restart	Yes

• Operating and Electrical

Input Voltage	120 to 277 V
Input Frequency	50 to 60 Hz
Max THD	10 %
Starting Method	Programmed Start
Lamp Current Crest Factor (Nom)	1.7
Ignition Time (Nom)	1.5 s
Ballast Factor (Nom)	0.99
Power Factor (Nom)	0.98
Input Current (Operating) (Max)	0.71 A
Input Current (Operating) (Min)	0.30 A
Input Power (Nom)	85-83 W
Rated Lamp Watts	39W W

• Wiring

Color Input Terminals	No terminals
Color Output Terminals	No terminals
Wire Striplength	0.50/0.375 mm
Lamp Connection Series	See data sheet
Wire Length By Color	See data sheet

Wire Gauge (Nom)	18AWG mm
Wire Type	Solid
Remote Wiring Configuration	Yes
Allowed	
Tandem Wiring Configuration	Yes
Allowed	
Through Wiring Configuration	Yes
Allowed	
Max Ballast-Lamp Distance Remote Wiring	20'
Max Ballast-Lamp Distance Tandem Wiring	Blue = 20'
Max Ballast-Lamp Distance Through Wiring	Blue = 20'
Connector Type	No connector

• Temperature

T-Case Maximum (Nom)	70 °C
----------------------	-------

• Mechanical and Housing

Housing Material	Metal
Housing	N
Housing Dimensions	9.5" x 1.3" x 1.0"

• Approval and Application

EMC Immunity Standard	FCC Non-Consumer
-----------------------	------------------

PHILIPS

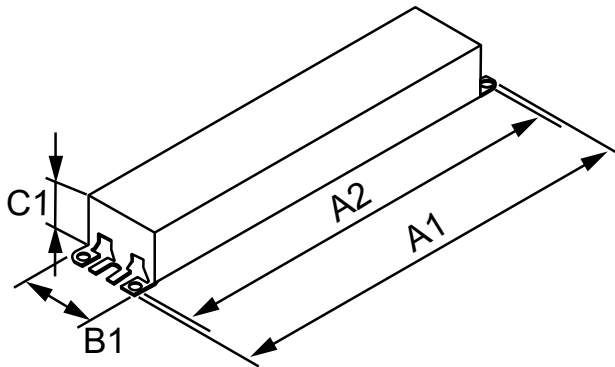
Approbation Marks CSA certificate
 UL certificate
 CEC Listing
 NOM certificate
 RoHS Compliant
 Sound Rating A
 UL Recognized No

EAN/UPC - Product 781087129593
 Order code ICN2S39N35M
 Numerator - Quantity Per Pack 1
 Numerator - Packs per outer box 30
 Material Nr. (12NC) 913701248802
 Net Weight (Piece) 350.000 g

• Product Data

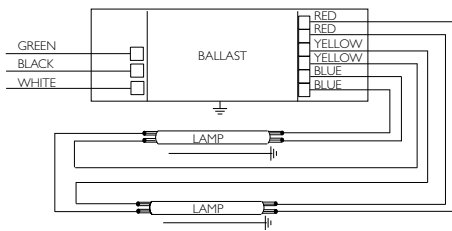
Order product name CENTIUM ICN2S39N35M

Dimensional drawing



ELE BALLAST (2) F39T5/HO 120-277V

Product	A1	A2	B1	C1
CENTIUM ICN2S39N35M	9.50 in	8.90 in	1.30 in	1.00 in



© 2016 Philips Lighting Holding B.V.
All rights reserved.

Specifications are subject to change without notice. Trademarks are the property of Koninklijke Philips N.V. (Royal Philips) or their respective owners.

www.philips.com/lighting

2016, February 1
data subject to change