



ICN-2P15-TLED-N

Brand Name	Centium
Driver Type	T8 LED Electronic
Lamp Connection	Parallel
Input Voltage	120-277V
Input Frequency	50/60 Hz
Status	Active



Specifications

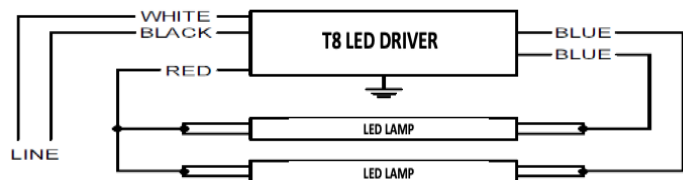
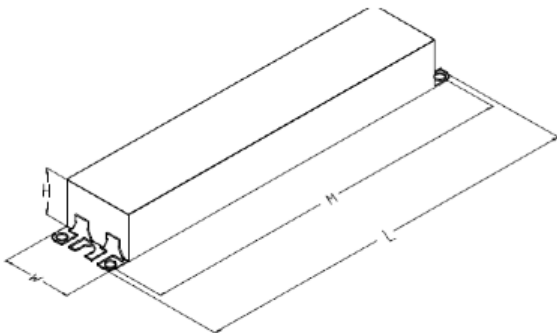
Description	Product No.	Model No.	Ordering Code	Bare Lamp Watts (W)	Nom. Initial Lumens	Min. Start Temp (°F/°C)	Num. of Lamps	Input Current (A)	Input Power (W)	Max THD%	Power Factor
Philips LED InstantFit T8 4' Ultra High Output	545178	9290020162	15.5T8/MAS/48-830/IF23/P 10/1	15.5	2300	-13/-25	2	0.29/0.13	34	10	0.99/0.96
	533372	9290020163	15.5T8/MAS/48-835/IF24/P 10/1		2400						
	545194	9290020164	15.5T8/MAS/48-840/IF25/P 10/1		2500						
	545200	9290020165	15.5T8/MAS/48-850/IF25/P 10/1		2500						
Philips LED InstantFit T8 - 3'	539858	9290019675	8.5T8/MAS/36-830/IF13/P 10/1	8.5	1300	-13/-25	2	0.16/0.07	19	10	0.98/0.90
	539866	9290019679	8.5T8/MAS/36-835/IF13/P 10/1		1300						
	539874	9290019676	8.5T8/MAS/36-840/IF14/P 10/1		1400						
	539882	9290019677	8.5T8/MAS/36-850/IF14/P 10/1		1400						
Philips LED InstantFit T8 - 2'	541813	9290019869	7T8/MAS/24-830/IF10/P 10/1	7	1050	-13/-25	2	0.14/0.07	17	10	0.98/0.90
	541821	9290019870	7T8/MAS/24-835/IF10/P 10/1		1050						
	541839	9290019871	7T8/MAS/24-840/IF11/P 10/1		1150						
	541847	9290019872	7T8/MAS/24-850/IF11/P 10/1		1150						
Philips LED InstantFit T8 U-Bent 6" High Output	541854	9290019874	13T8-6U/MAS/24-830/IF20/P 10/1	13	2000	-13/-25	2	0.27/0.12	32	10	0.99/0.96
	541862	9290019875	13T8-6U/MAS/24-835/IF20/P 10/1		2000						
	541870	9290019876	13T8-6U/MAS/24-840/IF21/P 10/1		2100						
	541888	9290019877	13T8-6U/MAS/24-850/IF21/P 10/1		2100						

Enclosure

	In. (cm)
Case Width (W)	1.3 (3.3)
Case Height (H)	1.0 (2.5)
Mounting Length (M)	8.90 (22.6)
Overall Length (L1)	9.5 (24.1)

Wiring Diagram

	In. (cm)
Black	24 (61)
White	24 (61)
Blue	28 (71.1)
Red	43 (109.2)



Centium ICN-2P15-TLED-N

ICN-2P15-TLED-N

Brand Name	Centium
Driver Type	T8 LED Electronic
Lamp Connection	Parallel
Input Voltage	120-277V
Input Frequency	50/60 Hz
Status	Active

Electrical Specifications

Section I - Physical Characteristics

- 1.1 Driver shall be physically interchangeable with standard electromagnetic or standard electronic ballasts, where applicable.
- 1.2 Driver shall be provided with integral leads color coded per ANSI C82.11.

Section II - Performance Requirements

- 2.1 Driver shall energize compatible LED lamps within 1 second after mains power is applied.
- 2.2 Driver shall provide Independent Lamp Operation (ILO) allowing remaining lamp(s) to maintain full light output when one or more lamps fail.
- 2.3 Driver shall contain auto restart circuitry in order to restart lamps without resetting power.
- 2.4 Driver shall operate from a 50Hz or 60 Hz AC input source of 120V through 277V with sustained variations of +/- 10% (voltage and frequency).
- 2.5 Driver shall be high frequency electronic type and operate lamps at frequencies above 42 kHz to avoid interference with infrared devices and eliminate visible flicker.
- 2.6 Driver shall have a Power Factor of 0.90 or above when operating the maximum rated number of compatible lamps, and 0.88 or above when operating the minimum rated number of compatible lamps.
- 2.7 Driver input current shall Total Harmonic Distortion (THD) of 10% or less when operating the maximum rated number of compatible lamps and 15% or less when operating the minimum rated number of compatible lamps.
- 2.8 Driver shall have a Class A sound rating.
- 2.9 Driver shall have a minimum starting temperature of -13°F / -25°C.
- 2.10 Driver shall tolerate sustained open circuit and short circuit output conditions.
- 2.11 Driver shall be capable of operating lamps remotely and in tandem for wire lengths up to 20 ft.
- 2.12 Driver shall be suitable of operation in up to a 45°C ambient temperature.

Section III - Regulatory Requirements

- 3.1 Driver shall not contain any Polychlorinated Biphenyl (PCB).
- 3.2 Driver shall be Underwriters Laboratories (UL) Recognized, and suitable for Damp and Dry conditions; and CSA Certified where applicable.
- 3.3 Driver shall comply with ANSI C62.41 Category A Transient protection.
- 3.4 Driver shall comply with the requirements of the Federal Communication Commission (FCC) rules and regulations, Title 47, CFR part 15, Non-Consumer (Class A) for EMI/RFI (conducted and radiated).
- 3.5 Driver shall comply with NEMA 410 for in-rush current limits.

Section IV - Other

- 4.1 Driver shall be manufactured in a factory certified to ISO 9001 Quality System Standards.
- 4.2 Driver shall carry a five year warranty from date of manufacture against defects in material and workmanship when operating in a 45°C ambient environment or less.

The information presented in this document is not intended as any commercial offer and does not form part of any quotation or contract.

