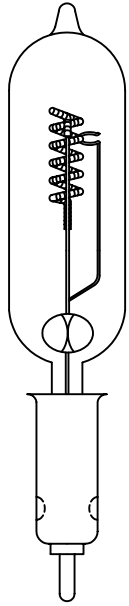
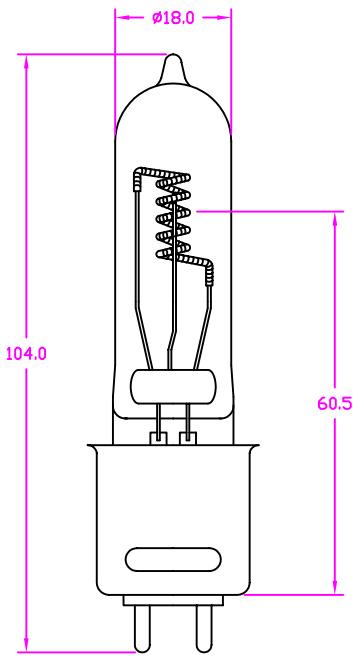


REVISIONS			
REV	DESCRIPTION	DATE	APPROVED



- NOTES:
1. ALL DIMENSIONS ARE IN MM.
 2. SEAL TEMP: SHOULD BE MAINTAINED BELOW 350°C
 3. THE DIMENSIONS AND SPECIFICATIONS OF PRODUCT LISTED IN THIS SHEET ARE SUBJECT TO CHANGE WITHOUT NOTICE FOR IMPROVEMENT.

CHARACTERISTICS	
VOLTAGE	115 V
WATTAGE	575 W
TOTAL LUMEN	16500 Lm
COLOR TEMP.	3200 K
AVERAGE LIFE	300 HRS
BASE TYPE	G9.5
FILAMENT TYPE	CC-8
BURN POSITION	ANY

ITEM	QTY	DESCRIPTION	CODE IDENT	PART NUMBER	REMARKS
LIST OF MATERIALS					
UNLESS OTHERWISE SPECIFIED DIMENSIONS ARE IN INCHES		CONTRACT NO.		USHIO AMERICA, INC. 5440 Cerritos Avenue Cypress, CA 90630	
DECIMALS .X ± - .XX ± .XXX ±		APPROVALS			
ANGLES ±		DATE		TITLE FLK/HX-600 JCV115V-575WCM	
DRILLED HOLES PER AND 10387 REMOVE BURRS AND SHARP EDGES ALL DIMENSIONS AFTER PLATING		DRAWN R.AMPARO 09/07/00			
MATERIAL COMPOSITE		CHKD K.CORDERO 09/07/00		SIZE B CODE IDENT NO. FLK DWG NO. 1000543	
FINISH		ENGR			
APPLICATION		MFG		SCALE NONE WEIGHT SHEET 1 OF 1	
		QUAL			
		DSGN ACTVY			
		GOV'T ACTVY			

