

Project		Catalog #		Type	
Prepared by		Notes		Date	



Metalux

HB LED

High Efficacy 20" x 48" LED High Bay Efficiency Luminaire

Typical Applications

Industrial • Manufacturing

Interactive Menu

- Ordering Information [page 2](#)
- Photometric Data [page 3](#)
- Control Solutions [page 5](#)
- Product Warranty

Product Certification



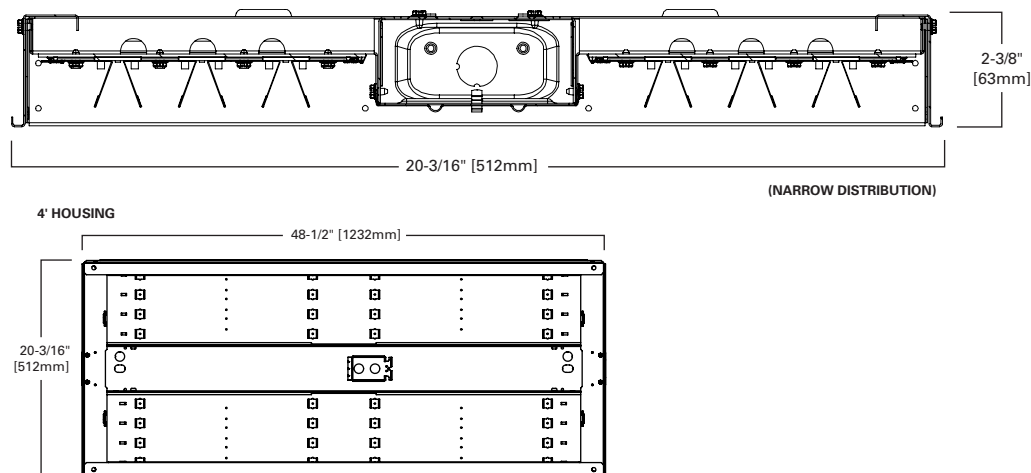
Product Features



Top Product Features

- Durable CRS and aluminum housing with white enamel finish
- High-Performance efficacy up to 195 lm/W
- LEDs available in 4000K and 5000K at 80 CRI
- Rated for -40°C to 55°C ambient
- Lumen Maintenance – L89 @ 60,000 hours
- Options to meet Buy American and other domestic preference requirements

Dimensional and Mounting Details



Order Information

SAMPLE ORDER NUMBER: **HBLEDD-LD5-18HE-W-UNV-L850-CD2-U** Includes V Hangers for rapid installation

Domestic Preferences	Series	Lamp Type	LED Lumen Output	Distribution	Shielding	Voltage	CCT	Emergency ⁽¹¹⁾
[Blank] =Standard BAA =Buy American Act TAA =Trade Agreements Act	HBLEDD =LED High Bay Linear	LD5 =LED 5.0	12HE =12,000 Lumens 18HE =18,000 Lumens 24HE =24,000 Lumens 30HE =30,000 Lumens 36HE =36,000 Lumens 48HE =48,000 Lumens 60HE =60,000 Lumens ⁽³⁾	N =Narrow (Aisle) W =Wide (General)	[Blank] =None AI =Prismatic Acrylic Lens Insert ^{(4), (5)} CLI =Clear Acrylic Lens Insert ⁽⁴⁾ FLI =Frosted Lens Insert ^{(4), (5)}	120V =120 Volt 277V =277 Volt 347V =347 Volt ⁽⁶⁾ 480V =480 Volt ⁽⁶⁾ UNV =Universal Voltage 120-277 UNC =Universal Voltage 347/480 ⁽⁹⁾	80 CRI L840 =4000K L850 =5000K	EL7W =7-watt, 120V-277V emergency battery pack installed ⁽¹⁰⁾ EL14W =14-watt 120V-277V emergency battery pack installed ⁽¹⁰⁾ ETRD =120-277V Emergency Transfer Relay with dimming control ^{(12), (13)}
Notes (1) Only product configurations with these designated prefixes are built to be compliant with the Buy American Act of 1933 (BAA) or Trade Agreements Act of 1979 (TAA), respectively. Please refer to DOMESTIC PREFERENCES website for more information. Components shipped separately may be separately analyzed under domestic preference requirements.	Notes (2) DesignLights Consortium® Qualified and classified for both DLC Standard and DLC Premium, refer to www.designlights.org for details.		Notes (3) For 48,000 lumen package, CD option requires three drivers.		Notes (4) Refer to ambient ratings chart for temperature requirements. (5) Not available with narrow distribution.	Notes (8) Voltage must be specified when ordered with plugs, GTR or emergency driver. (9) Not available with dual switching.		Notes (10) With integral test switch/indicator. For approximate delivered lumens multiply the lumens per watt of the desired fixture by the wattage of the emergency battery pack (100 lm/W x 7=700 lumens). IES-format photometry for luminaire under emergency operation available. (11) EM options available in 0°C - 40°C ambient. (12) Used to transfer fixture to secondary power during outage. Must be used in conjunction with UL 1008 device (provided by others). ETRD option only requires one relay when used on a dimming fixture. A maximum of two devices can be used on one product. (13) When using ETRD with fixtures 60K lumens and above, the fixture will not deliver full lumen output when in emergency mode (consult factory).

Number of Relays	Driver Type	Number of Drivers	Options	Integrated Sensor	Packaging	Accessories
1 =1 relay per driver non-dimming only 2 =2 relays per driver for dimming applications	CD =0-10V Dimming Driver ^{(14), (15)} SLTD =DALI Driver ^{(14), (15), (16)}	1 =1 Driver (12,000 version) 2 =2 Drivers (18,000, 24,000 and 30,000 lumen versions) 3 =3 Drivers (36,000 and 48,000 lumen CD option) ⁽¹⁷⁾ 4 =4 Drivers (48,000 and 60,000 lumen versions) ⁽¹⁷⁾	MP =Modular Power Receptacle (used for all Cord or Cord and Plug options) ⁽¹⁸⁾	MS =360° or 180° Motion Sensor Installed, (specify voltage) ⁽¹⁹⁾ OEPF010VMV =Occupancy Sensor with Integrated Photocell FSP-211/L7-U =PIR Occupancy Sensor with integral 0-10V dimming ⁽²⁰⁾ ZLD1Z =Leviton 120-277V PIR Occupancy Sensor with integral 0-10V Dimming ^{(20), (21)} WLS4 =WaveLinX LITE, Dimming Motion and Daylight, Bluetooth Programmable, 15' - 40' Mounting ^{(22), (23)} WPS4 =WaveLinX PRO, Dimming Motion and Daylight, WAC Programmable, 15' - 40' Mounting ⁽²³⁾	U =Unit Pack PALC =Job Pack, in carton	HBL-SPM =Single Monopoint Hanger w/Hub HBL-SPM-S =Surface Mount Bracket FH-1 =Fixture Hook FL-1 =Fixture Loop Y-TOGGLE -__- 2PK =(2) Y-Toggle Cable Kits (Specify 10 or 30 for length in feet) HBAYC-CHAIN/SET/U =(2) V-Hook Hangers, 36" Chain Sets w/S-Hooks MPC3 =3' Modular Power Cord & Plug (Specify Voltage) MC6 =6' Modular Power Cord MPC6-6 =6' Modular Power Cord & Plug (Specify Voltage) MMS =360° or 180° Aisle Motion Sensor with Modular Power Receptacle (120-277V) WG/HBL6-4FT-B =Field Installable, Wireguard for HBLEDD ⁽²⁴⁾ SWPD3 =WaveLinX Sensor (for field installation into WaveLinX enabled fixture)
	Notes (14) Lumen output will vary depending on dimming or fixed output drivers. Refer to IES files for delivered lumens. (15) Refer to ambient ratings chart for temperature requirements. (16) SLTD available with 12,000, 18,000, 24,000 and 36,000 lumen packages only.	Notes (17) For 48,000 lumen package, CD option requires three drivers.	Notes (18) Requires use of MC or MPC cord accessories, specify voltage for plugs (MP).	Notes (19) When ordering MS option, specify as UNV (for 120 or 277V), 347 or 480V. (20) Integrated sensor not compatible with door frame. (21) Configuration of basic and advanced features using the Leviton Smart Sensor App on any Bluetooth-enabled Android or iOS device. (22) EL20W-REM battery pack not available with 347/480V + SWPD or WLS4 Sensors. (23) 30-36K lumen fixtures with SWPD or WLS4 sensor are UNV only.		Notes (24) Not available with lens insert options AI, CLI and FLI or door frame options A, CL and POLY125. (25) Accessories sold separately will be separately analyzed under domestic preference requirements. Consult factory for further information.

Product Specifications

Construction

- Constructed of channel and end plates with stiffening brackets and side rails
- Side rails are standard on all HBLED products

Emergency Battery Options

- Optional 120-277V emergency battery available in 14W
- 90-minute backup period for code compliance
- Constant power to LED system for controlled, predictable discharge
- Integrated test switch/indicator light installed on fixture
- Integral emergency transfer relay available for generator equipped power systems

LED and Light Engine

- 0-10V dimming driver standard

Integrated Control Options

- Integrated WaveLinx sensor options provide wireless individual fixture control and enable code compliance, increased energy savings, grouping of fixtures, and connection to WaveLinx control systems
- WaveLinx industrial sensors offer installation heights up to 40 feet and have coverage patterns up to 5000 square feet (see sensor specifications - field of view)

Finish

- Multistage, iron phosphate pretreatment
- Multistage cleaning cycle

Mounting

- Designed for suspension mounting
- Optional wire hook and chain set available
- Single monopoint mounting is available with SPM tong hanger

Frame/Shielding

- Optional door frame and lens assembly for added protection

Compliance

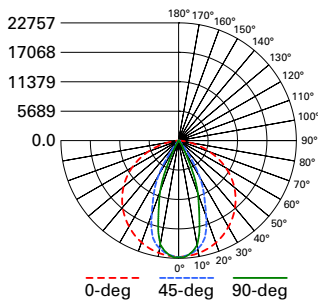
- cULus listed for damp locations -40°C to 55°C ambient environments
- Tested to IESNA LM-79 and LM-80
- Stated life tested to TM21 standards

Warranty

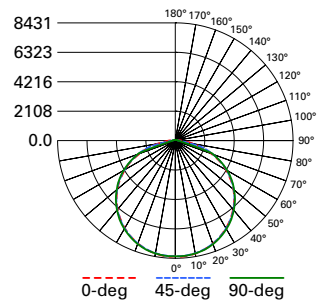
- Five-year limited warranty standard

Photometric Data

[View IES files](#)



HBLED-LD5-24HE-N-UNV-L850
 Electronic Driver
 Linear LED 5000K
 Spacing criterion: (H) 1.27 x mounting height, (L) 0.62 x mounting height
 Lumens: 24129
 Input Watts: 143W
 Efficacy: 168.7 lm/W
 Test Report: HBLED-LD5-24HE-N-UNV-L850.IES



HBLED-LD5-24HE-W-UNV-L850
 Electronic Driver
 Linear LED 5000K
 Spacing criterion: (H) 1.3 x mounting height, (L) 1.31 x mounting height
 Lumens: 25056
 Input Watts: 143W
 Efficacy: 175.2 lm/W
 Test Report: HBLED-LD5-24HE-W-UNV-L850.IES

Energy and Performance Data

Catalog Number	5000K, 80CRI		
	Delivered Lumens	Watts	Efficacy (lm/W)
HBLED-LD5-12HE-W-UNV-L850	12717	72.7	175
HBLED-LD5-18HE-W-UNV-L850	19433	110.2	176
HBLED-LD5-24HE-W-UNV-L850	25056	143	175
HBLED-LD5-30HE-W-UNV-L850	32067	179	179
HBLED-LD5-36HE-W-UNV-L850	36880	210	176
HBLED-LD5-48HE-W-UNV-L850	48765	263	185
HBLED-LD5-60HE-W-UNV-L850	63418	355	179

Lumen Maintenance

Ambient Temperature	TM-21 Lumen Maintenance (60,000 hours)	Theoretical L70 (hours)
55°C	> 89%	> 179,000

Ambient Ratings

Lumen Package	Ambient Rated	Drivers		Lensed		EM
		CD	5LTD	Inserts	Door frame	
HBLED-LD5-12HE	55°C	55°C	40°C	50°C	40°C	40°C
HBLED-LD5-18HE	55°C	50°C	40°C	50°C	40°C	40°C
HBLED-LD5-24HE	55°C	50°C	40°C	50°C	40°C	40°C
HBLED-LD5-30HE	55°C	50°C	40°C	50°C	40°C	40°C
HBLED-LD5-36HE	55°C	45°C	35°C	45°C	-	40°C
HBLED-LD5-48HE	50°C	50°C	35°C	40°C	-	40°C
HBLED-LD5-60HE	45°C	40°C	35°C	40°C	-	40°C

Shipping Data

Catalog No.	Wt.
HBLED-LD5-12HE	19 lbs.
HBLED-LD5-15HE	19 lbs.
HBLED-LD5-18HE	22 lbs.
HBLED-LD5-24HE	22 lbs.
HBLED-LD5-30HE	22 lbs.
HBLED-LD5-36HE	26 lbs.
HBLED-LD5-48HE	26 lbs.
HBLED-LD5-60HE	26 lbs.

Modular F-Bay Power Supply Option

Cooper Lighting's F-Bay Modular Power Supply option is available for use with all F-Bay products. The modular power supply allows external fixture access for safe and easy servicing. There is no need to remove lamps or reflectors to disconnect fixture power with F-Bay Modular Power Supply. Access to the individual fixture's power supply allows servicing without turning off all the fixtures, disrupting occupants. F-Bay Modular Power Supply is a time saver in installation – **simply plug & power.**



1. Modular Power Supply Receptacle supplied mounted into fixture Access Plate
2. Modular Power Cord & Plugs in 120, 277, 347, & 480V configurations for easy plug & power into existing supply

No internal fixture access required for installation or disconnecting power

Modular Motion Sensor Option supplied with Mounting Box and Modular Power Supply Receptacle

Code Compliance

- UL/cUL Certified for Make/Break under load (UL2549)
- Meets NEC requirements for ballast disconnect (NEC 410.73G)
- Allows for addition of Occupancy Sensor without hard connections
- Receptacles complete with insulating/dust cap

Control Solutions

- WaveLinx LITE wireless
- WaveLinx PRO wireless
- WaveLinx CAT wired
- WaveLinx Wired



The HBLEDD with WaveLinx offers no-hassle lighting control with multiple luminaire level control solutions.



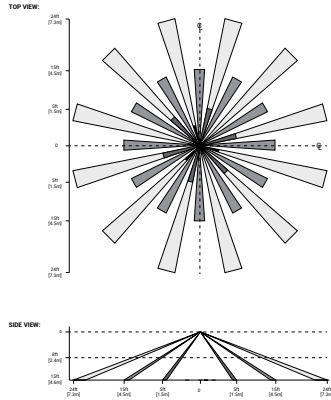
WaveLinx PRO is a wireless lighting control solution, for connected spaces, that significantly reduces a building's energy consumption. From a single floor to an entire campus, WaveLinx PRO connects more than lighting assets; it shares aggregated sensor data with the WaveLinx CORE platform and other building systems, so building owners can improve operations, spaces environment, and tenants' experience. WaveLinx PRO offers a rich portfolio of wireless devices, WaveLinx PRO-enabled luminaires, and an intuitive WaveLinx mobile app for office, education, warehouse, and parking garage applications.



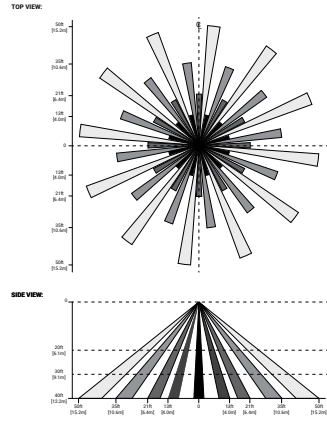
WaveLinx LITE is a cost effective, wireless digital lighting control solution, with out-of-the-box functionality, that saves energy and meets code. It's designed for applications that require occupancy-based, daylighting, or manual light control. Customize installations for office, education, warehouse and parking garages using the secure, simple mobile app.

Integrated Sensor Coverage Pattern

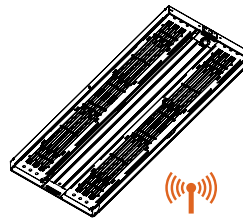
WaveLinx PRO/LITE Sensor – WLS2 and WPS2



WaveLinx PRO/LITE Sensor – WLS4 and WPS4



With Integrated WaveLinx Sensor



Integrated Controls Options

Option	Out of the Box Functionality	Luminaire Level Lighting Control (LLLC)	Automatic Dimming Photocell	Occupancy Sensing	CCT Control
WLS	X	X	X	X	
WPS		X	X	X	

Systems comparison chart

Cooper Lighting Solutions provides many lighting system solutions designed to satisfy code requirements and meet the unique needs of any project.



Luminaire with standalone sensor



Standalone Spaces WaveLinx LITE



Standalone Spaces WaveLinx CAT



Networked Spaces WaveLinx PRO



Enterprise WaveLinx CORE

	Luminaire with standalone sensor	Standalone Spaces WaveLinx LITE	Standalone Spaces WaveLinx CAT	Networked Spaces WaveLinx PRO	Enterprise WaveLinx CORE
Occupancy	Yes	Yes	Yes	Yes	Yes
Daylighting	Yes	Yes	Yes	Yes	Yes
Wallstations	-	Yes	Yes	Yes	Yes
Gateways	-	-	-	1 WAC	300 WACs
Devices (MAX)	-	40 per Area (1120 per space)	40 per Area	200 per WAC2	32,500 per CORE Enterprise
Software	-	WaveLinx LITE Mobile App	WaveLinx CAT Mobile App	WaveLinx Mobile App	CORE
Areas	-	28 per Space	Unlimited	50 per WAC2	up to 3,000
Zones	-	16 per Area	16 per Area	16 per Area	up to 9,000
Scheduling	-	-	-	Local	Global
VividTune™	-	-	-	Yes	Yes
Plug-Load Control	-	Yes	Yes	Yes	Yes
Low-Voltage Power	-	-	Yes	Yes	Yes
Integration	-	-	-	-	BACnet, API
Dashboards	-	-	-	-	Energy, Occupancy
Configuration	-	Installer	Installer	Technician	Technician / IT