

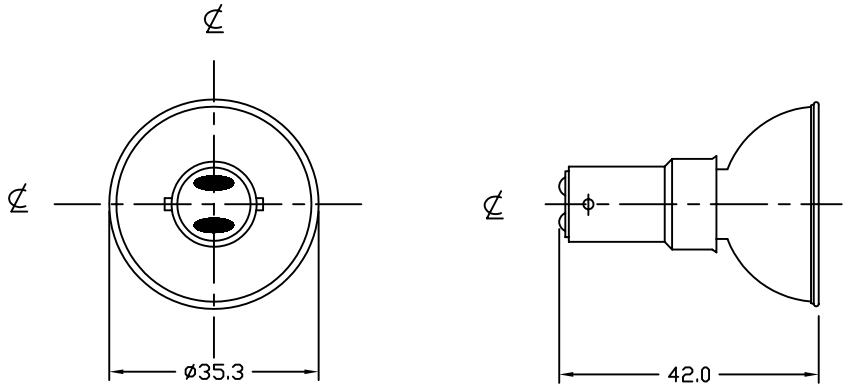
4

3

DWG NO. 1000659 SH 1

1

REVISIONS			
REV	DESCRIPTION	DATE	APPROVED



- NOTES:
1. ALL DIMENSIONS ARE IN MM.
 2. SEAL TEMP: SHOULD BE MAINTAINED BELOW 350°C
 3. THE DIMENSIONS AND SPECIFICATIONS OF PRODUCT LISTED IN THIS SHEET ARE SUBJECT TO CHANGE WITHOUT NOTICE FOR IMPROVEMENT.

CHARACTERISTICS	
VOLTAGE	12 V
WATTAGE	35 ±3.5 W
COLOR TEMP.	2950 K
MAX CP	1300 cd
BASE TYPE	BA15D
AVERAGE LIFE	2000 HRS
BEAM ANGLE	30°
BURN POSITION	ANY

ITEM	QTY	DESCRIPTION	CODE IDENT	PART NUMBER	REMARKS						
LIST OF MATERIALS											
UNLESS OTHERWISE SPECIFIED DIMENSIONS ARE IN INCHES		CONTRACT NO.		USHIO AMERICA, INC. 5440 Cerritos Avenue Cypress, CA 90630							
DECIMALS .X ± - .XX ± - .XXX ± -		APPROVALS									
ANGLES ± -		DATE		TITLE GDZ JDR/M12V-35W/W							
DRILLED HOLES PER AND 10387 REMOVE BURRS AND SHARP EDGES ALL DIMENSIONS AFTER PLATING		DRAWN									
MATERIAL		CHKD									
COMPOSITE		ENGR									
FINISH		MFG		<table border="1"> <tr> <td>SIZE</td> <td>CODE IDENT NO.</td> <td>DWG NO.</td> </tr> <tr> <td>B</td> <td>GDZ</td> <td>1000659</td> </tr> </table>		SIZE	CODE IDENT NO.	DWG NO.	B	GDZ	1000659
SIZE	CODE IDENT NO.	DWG NO.									
B	GDZ	1000659									
GOVT ACTVY		DSGN ACTVY									
APPLICATION		GOVT ACTVY									
NEXT ASSY		USED ON		<table border="1"> <tr> <td>SCALE</td> <td>WEIGHT</td> <td>SHEET</td> </tr> <tr> <td>NONE</td> <td></td> <td>1 OF 1</td> </tr> </table>		SCALE	WEIGHT	SHEET	NONE		1 OF 1
SCALE	WEIGHT	SHEET									
NONE		1 OF 1									

4

3

2

1

CAD