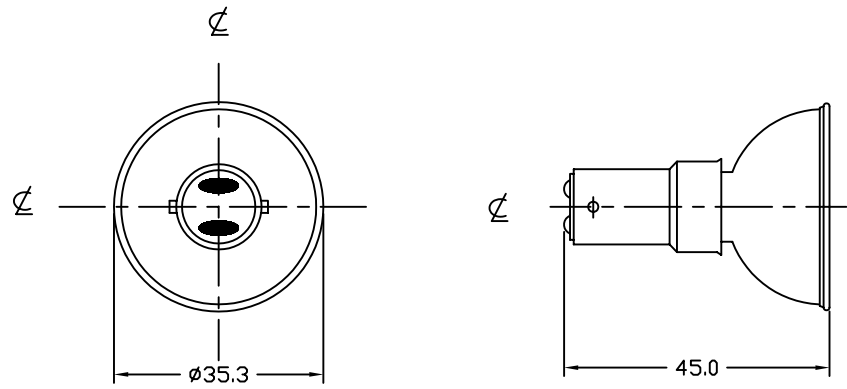


REVISIONS			
REV	DESCRIPTION	DATE	APPROVED



NOTES:

1. ALL DIMENSIONS ARE IN MM.
2. SEAL TEMP: SHOULD BE MAINTAINED BELOW 350°C
3. THE DIMENSIONS AND SPECIFICATIONS OF PRODUCT LISTED IN THIS SHEET ARE SUBJECT TO CHANGE WITHOUT NOTICE FOR IMPROVEMENT.

CHARACTERISTICS	
VOLTAGE	12 V
WATTAGE	35 ±3.5 W
COLOR TEMP.	2950 K
MAX CP	2400 cd
BASE TYPE	BA15D
AVERAGE LIFE	2000 HRS
BEAM ANGLE	20°
BURN POSITION	ANY

ITEM	QTY	DESCRIPTION	CODE IDENT	PART NUMBER	REMARKS
LIST OF MATERIALS					
UNLESS OTHERWISE SPECIFIED DIMENSIONS ARE IN INCHES		CONTRACT NO.		USHIO AMERICA, INC. 5440 Cerritos Avenue Cypress, CA 90630	
DECIMALS .X ± -		APPROVALS			
.XX ± -		DATE		TITLE GDY JDR/M12V-35W/BA/M	
.XXX ± -		DRAWN R.AMPARO			
ANGLES ± -		08/18/99			
DRILLED HOLES PER AND 10387 REMOVE BURRS AND SHARP EDGES ALL DIMENSIONS AFTER PLATING		CHKD D.GILCZYNSKI			
MATERIAL		ENGR		SIZE B CODE IDENT NO. GDY DWG NO. 1000657	
COMPOSITE		MFG			
FINISH		QUAL		SCALE NONE WEIGHT SHEET 1 OF 1	
		DSGN ACTVY			
		GOV'T ACTVY			

NEXT ASSY	USED ON	APPLICATION