

# Gxx-yyyC-UNV-L

## 5~20W Output LED Driver



### Features

- Constant current output mode
- Tc max 90°C, Life expectancy of 50,000h at Tcase ≤ 75°C
- Isolated output for lamp safety
- Low out rippier < 10%
- Output open/short protection
- 3 years warranty

This is a universal input series which covers the maximum output power 20W with the maximum output voltage 40V and the constant output current from 500-700mA.

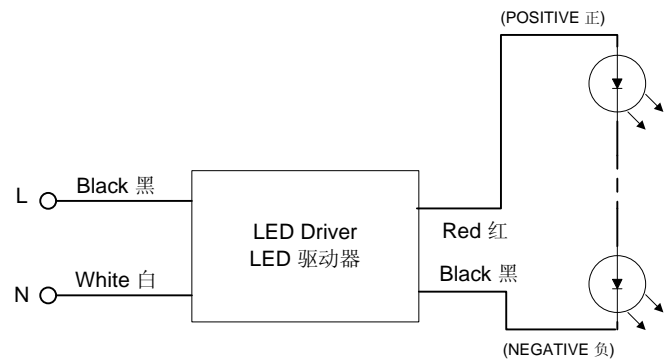
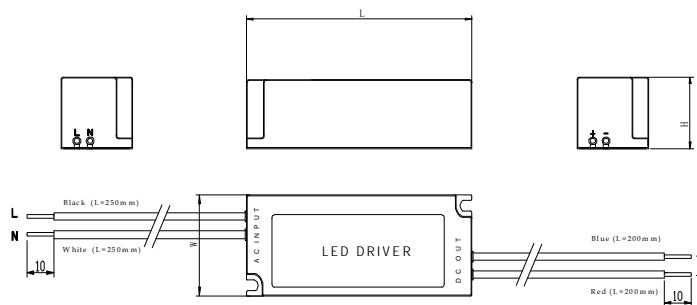
Product Model		Output Power (W)	LED Current (mA)	Load Voltage (VDC)	Input Voltage (VAC)	Power Factor (Full load)	Case Size LxWxH (mm)
Generic	Gxx-yyyC-UNV-L	20 max	500-700	40 max	120-277		85x29x28
Typical	G20-500C-UNV-L	20	500	12-40	120-277	>0.95	85x29x28
	G20-700C-UNV-L	20	700	12-28.6	120-277		85x29x28

Note :

“xx” - represents the output power in wattage. The maximum is 20.

“yyy”-represents the constant LED output current in milliampere which may vary from 500 to 700.

### Dimensions and Wiring Diagram 尺寸和接线图



Overall	Width	Hight	Mounting
全长 L	宽 W	高 H	安装孔距B
3.35"	1.14"	1.12"	3.11"
85mm	29mm	28mm	79mm