

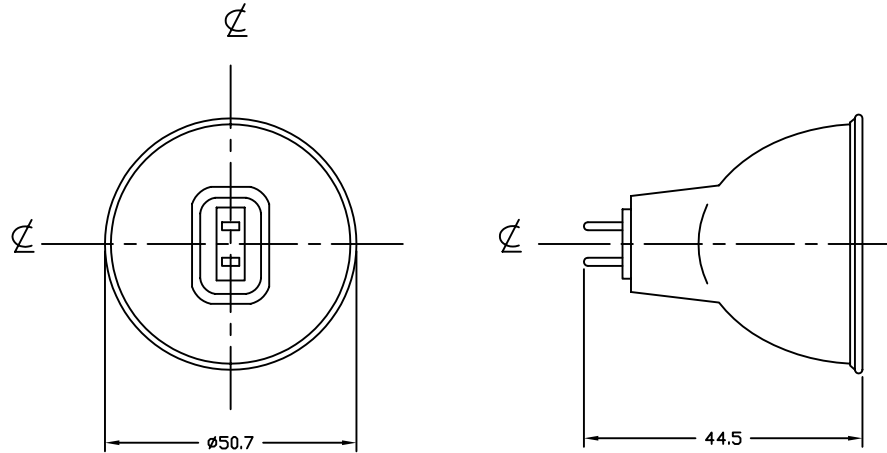
4

3

DWG NO. 1000636 SH 1

1

REVISIONS			
REV	DESCRIPTION	DATE	APPROVED



NOTES:

1. ALL DIMENSIONS ARE IN MM.
2. SEAL TEMP: SHOULD BE MAINTAINED BELOW 350°C
3. THE DIMENSIONS AND SPECIFICATIONS OF PRODUCT LISTED IN THIS SHEET ARE SUBJECT TO CHANGE WITHOUT NOTICE FOR IMPROVEMENT.

CHARACTERISTICS	
VOLTAGE	82 V
WATTAGE	410 W
COLOR TEMP	3300 K
AVERAGE LIFE	75 HRS
BASE TYPE	GY5.3
REFLECTOR TYPE	Faceted
FILAMENT TYPE	CC-8
BURN POSITION	BD/Hor

ITEM	QTY	DESCRIPTION	CODE IDENT	PART NUMBER	REMARKS
LIST OF MATERIALS					
UNLESS OTHERWISE SPECIFIED DIMENSIONS ARE IN INCHES DECIMALS .X ± - .XX ± - .XXX ± - ANGLES ± - DRILLED HOLES PER AND 10387 REMOVE BURRS AND SHARP EDGES ALL DIMENSIONS AFTER PLATING		CONTRACT NO.		USHIO AMERICA, INC. 5440 Cerritos Avenue Cypress, CA 90630	
MATERIAL COMPOSITE		APPROVALS			
FINISH		DATE		TITLE FXL JCR82V-410W	
		DRAWN R.AMPARO 08/27/99			
		CHKD D.GILCZYNSKI 08/27/99		SIZE B	
		ENGR		CODE IDENT NO. FXL	
		MFG		DWG NO. 1000636	
		QUAL		SCALE NONE	
		DSGN ACTVY		WEIGHT	
		GOVT ACTVY		SHEET 1 OF 1	

4

3

2

1

CAD