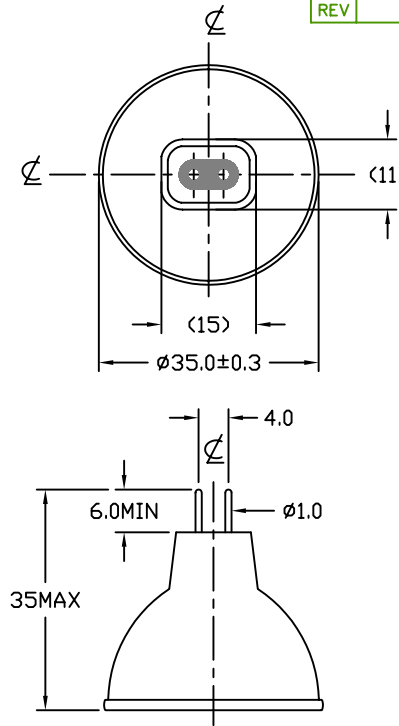
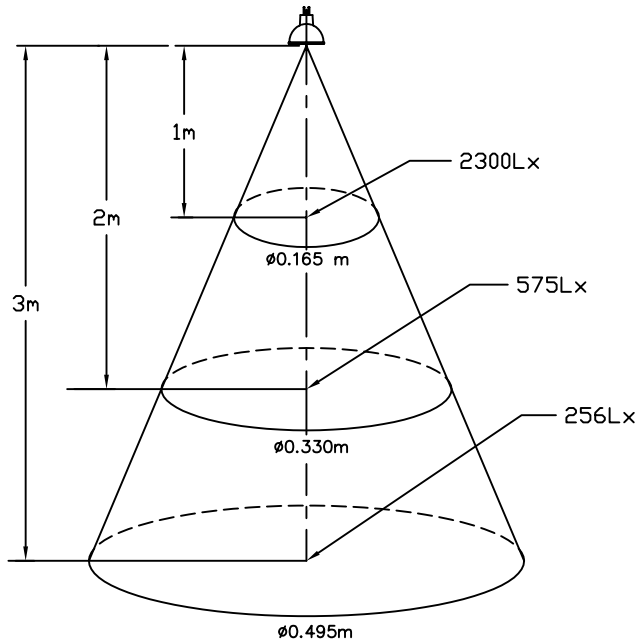


REVISIONS			
REV	DESCRIPTION	DATE	APPROVED



NOTES:

1. ALL DIMENSIONS ARE IN MM.
2. SEAL TEMP: SHOULD BE MAINTAINED BELOW 350°C
3. THE DIMENSIONS AND SPECIFICATIONS OF PRODUCT LISTED IN THIS SHEET ARE SUBJECT TO CHANGE WITHOUT NOTICE FOR IMPROVEMENT.

CHARACTERISTICS	
VOLTAGE	12 V
WATTAGE	12±1.2 W
COLOR TEMP.	2925 K
MAX CP	2300cd
BASE TYPE	GZ4
AVERAGE LIFE	2000 HRS
BEAM ANGLE	9.5°
BURN POSITION	ANY

NEXT ASSY	USED ON

ITEM	QTY	DESCRIPTION	CODE IDENT	PART NUMBER	REMARKS			
LIST OF MATERIALS								
UNLESS OTHERWISE SPECIFIED DIMENSIONS ARE IN INCHES DECIMALS .X ± - .XX ± - .XXX ± - ANGLES ± - DRILLED HOLES PER AND 10387 REMOVE BURRS AND SHARP EDGES ALL DIMENSIONS AFTER PLATING			CONTRACT NO.		USHIO AMERICA, INC. 5440 Cerritos Avenue Cypress, CA 90630 TITLE FTA JDR/M12V-12W/G/VNSP			
MATERIAL			APPROVALS					
COMPOSITE			DATE					
FINISH			DRAWN	R.AMPARO				
			CHKD	D.GILCZYNSKI				
			ENGR					
			MFG					
			QUAL					
			DSGN ACTVY					
			GOVT ACTVY					
		APPLICATION	SIZE	B	CODE IDENT NO.	FTA	DWG NO.	1000615
			SCALE	NONE	WEIGHT		SHEET	1 OF 1